

# Bill of Materials Listing

TransArctic Canada Inc.

5/27/2009  
Page 1 of 1

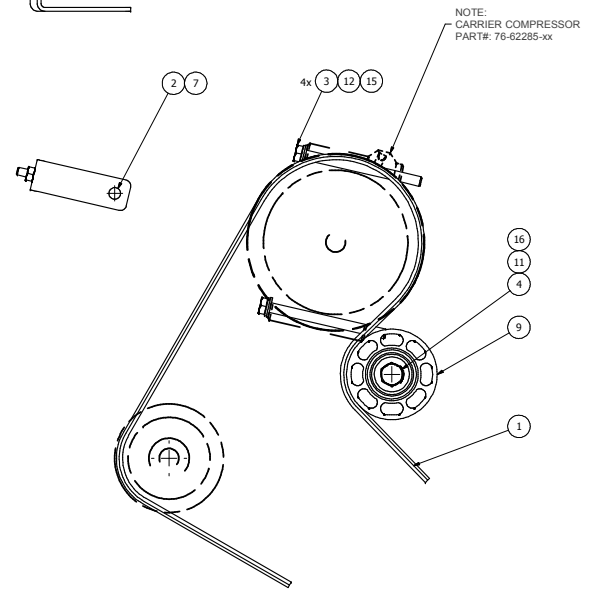
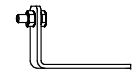
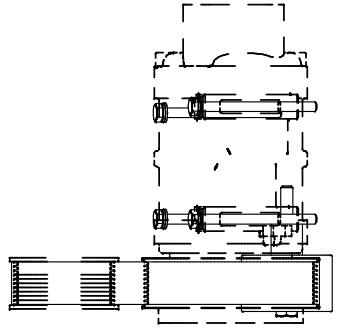
Product Number		Description	Date	Weight	Uof M	Yield
Line	Component Prod#	Description	Bin	Unit	Qty	
<b>KMN81371</b>		<b>Mt. Kit, MForce DT, CE300, 21, '07</b>		<b>5/30/2007</b>	<b>3.24</b>	<b>0</b>
10	BEL02264	Belt, 10gr, 2264mm (89.1")		each	1	
20	BMN80038	Bkt, Rad Hose, PMax DT, CE300		each	1	
30	PUL80074	Pulley, Idler, B/S, Wide, 76d (89102)		each	1	
40	SCD46010	Spacer, Col, Drl, 46mm x25.4o x10.32i		each	1	
50	SLV17010	Sleeve, Pulley, 16.9o x 22.23mm x 10.32i		each	1	
60	KBN81571	Bag Kit, Fasteners, KMN81571		each	1	
70	CLP20040	Clamp, "P" type, #40, 1/2"w, 2 1/2", PC		each	1	
80	CLP36001	Clamp, Gear, #36,1 13/16-2 3/4 (46/70mm)		each	1	

# Bill of Materials Listing

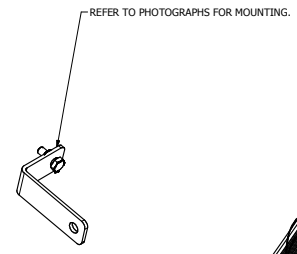
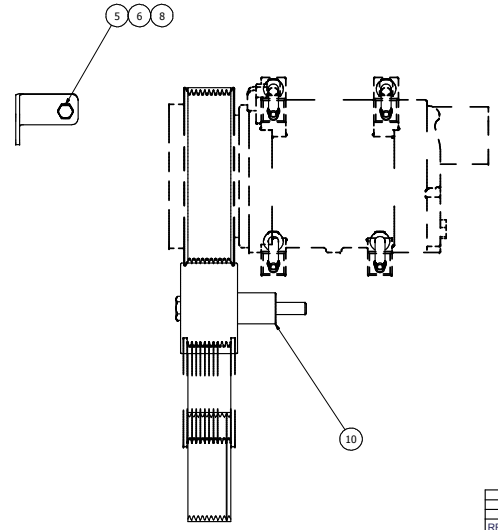
TransArctic Canada Inc.

5/27/2009  
Page 1 of 1

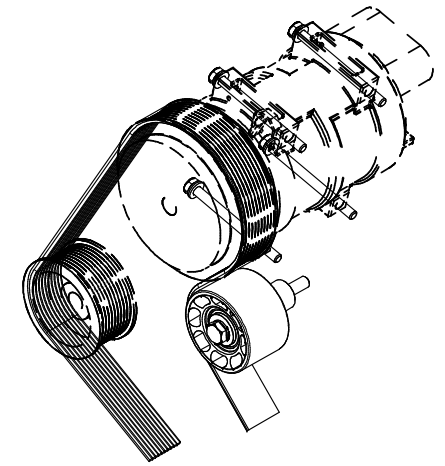
Product Number	Description	Date	Weight	Uof M	Yield
Line    Component    Prod#	Description	Bin            Unit	Qty		
<b>KBN81571</b>	<b>Bag Kit, Fasteners, KMN81571</b>	<b>5/3/2007</b>	<b>0.60</b>		<b>0</b>
5	BTC10100				
	Bolt, Hex, 10 x 1.5 x 100mm, 10.9,Plt,FT				
		each	1		
10	BTC08100				
	Bolt, Hex, 8 x 1.25 x 100mm, 10.9, Plt				
		each	4		
50	WFA08000				
	Washer, Flat, 8mm, 8.8, Plt				
		each	4		
60	WLA08000				
	Washer, Lock, 8mm, 8.8, Plt				
		each	4		
80	WLA10000				
	Washer, Lock, 10mm, 8.8, Plt				
		each	1		
130	BTP04075				
	Bolt, Hex, 1/4-20unc, .75", 5, Plt				
		each	1		
140	NTP04000				
	Nut, Hex, 1/4-20unc, 5, Plt				
		each	1		
150	WFS04003				
	Washer, Flat, 1/4", 2, USS, Plt				
		each	1		
160	WFS04004				
	Washer, Flat, 1/4", FEND, PLT				
		each	1		



NOTE:  
CARRIER COMPRESSOR  
PART#: 76-6Z285-xx



REFER TO PHOTOGRAPHS FOR MOUNTING.



ISOMETRIC VIEW

- NOTES:
- 1) USE SERVICABLE THREADLOCKER ON ALL FASTENERS TO ENGINE COMPONENTS AND TORQUE ALL BOLTS TO S.A.E. SPECIFICATIONS.
  - 2) SEE "TRANSARGTIC A/C COMPRESSOR MOUNT INSTALLATION DISCLAIMER"
  - 3) MODIFY EXISTING RADIATOR HOSE ON PASSENGER SIDE (TO CLEAR BELT.) BY REMOVING HOSE AND FLIPPING END FOR END AND THEN RE-INSTALL ON THE ENGINE. (USING NEW BRKT SUPPLIED.)

ITEM	QTY	U/M	PART NUMBER	DESCRIPTION
16	1	EACH	WLA10000	WASHER, LOCK, 10mm, 8.8, PLT
15	4	EACH	WLA08000	WASHER, LOCK, 8mm, 8.8, PLT
14	1	EACH	WFS04004	WASHER, FLAT, 1/4", FEND, PLT
13	1	EACH	WFS04003	WASHER, FLAT, 1/4", 2, USS, PLT
12	4	EACH	WFA08000	WASHER, FLAT, 8mm, 8.8, PLT
11	1	EACH	SLV17010	SLEEVE, PULLEY, 16.9ø x 22.23mm x 10.32l
10	1	EACH	SCD46010	SPACER, COL, DRL, 46mm x 25.4ø x 10.32l
9	1	EACH	PUL80074	PULLEY, IDLER, BACKSIDE, P8, 74D, 46.27W
8	1	EACH	NTP04000	NUT, HEX, 1/4-20UNC, 5, PLT
7	1	EACH	CLP36001	CLAMP, GEAR, #36, 1 13/16- 2 3/4 (46/70 mm)
6	1	EACH	CLP20040	CLAMP, "P" TYPE, #40, 1/2"w, 2 1/2", PC
5	1	EACH	BTP04075	BOLT, HEX, 1/4-20UNC, .75", 5, PLT
4	1	EACH	BTC10100	BOLT, HEX, 10 x 1.5 x 100mm, 10.9, PLT
3	4	EACH	BTC08100	BOLT, HEX, 8 x 1.25 x 100mm, 10.9, PLT
2	1	EACH	BMN0038	BKT, RAD HOSE, PMAX DT, CE300
1	1	EACH	BELO2264	BELT, 10gr, 2264mm (89.1")

BILL OF MATERIALS

DRAWN	Jose Rodriguez	5/27/2009		
CHECKED	Val Jakowlew	5/27/2009		
REV	ECN	DESCRIPTION	DATE	BY
			5/27/2009	James Stewart
			5/27/2009	Ron Ingram
			5/27/2009	Dale Mason

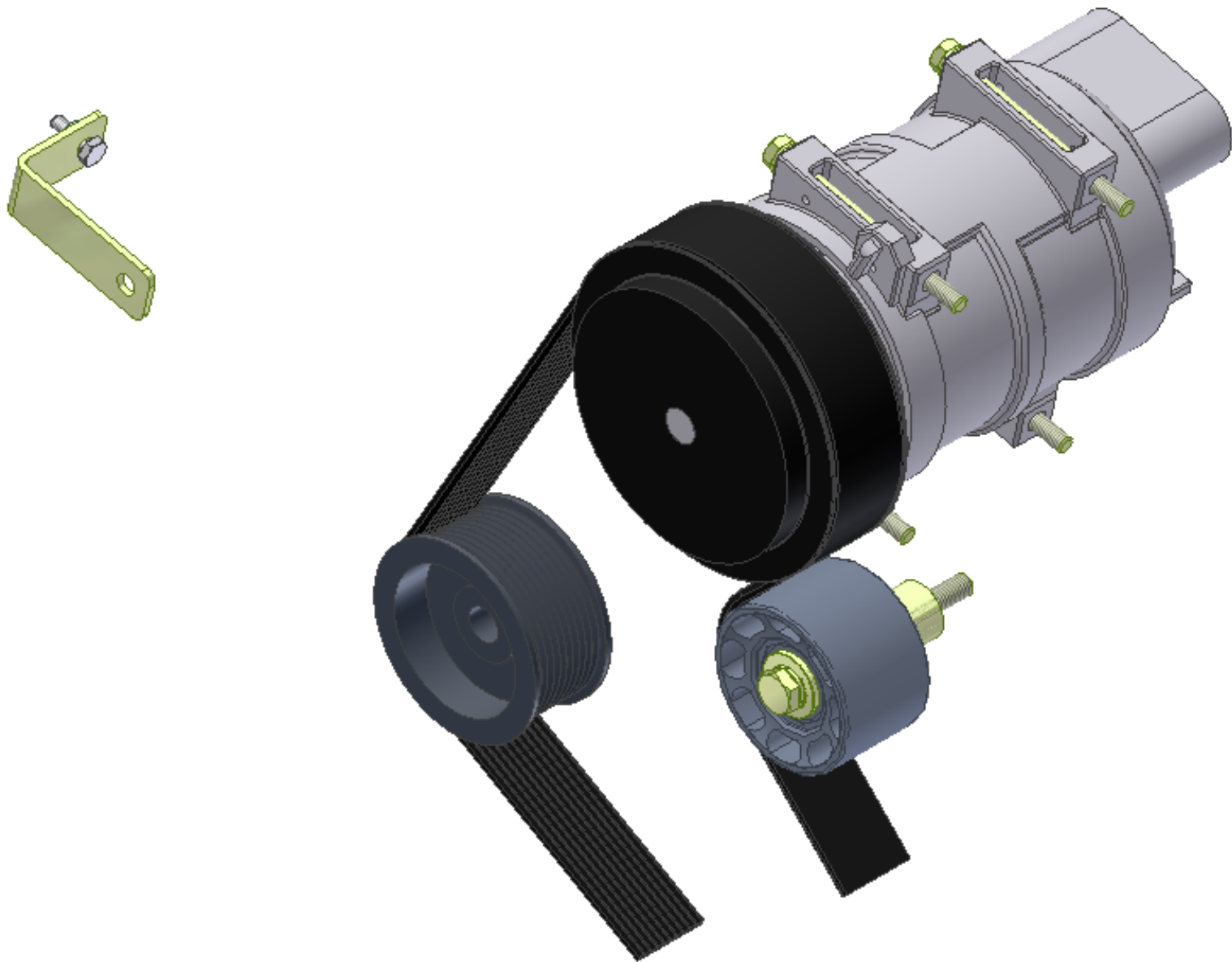


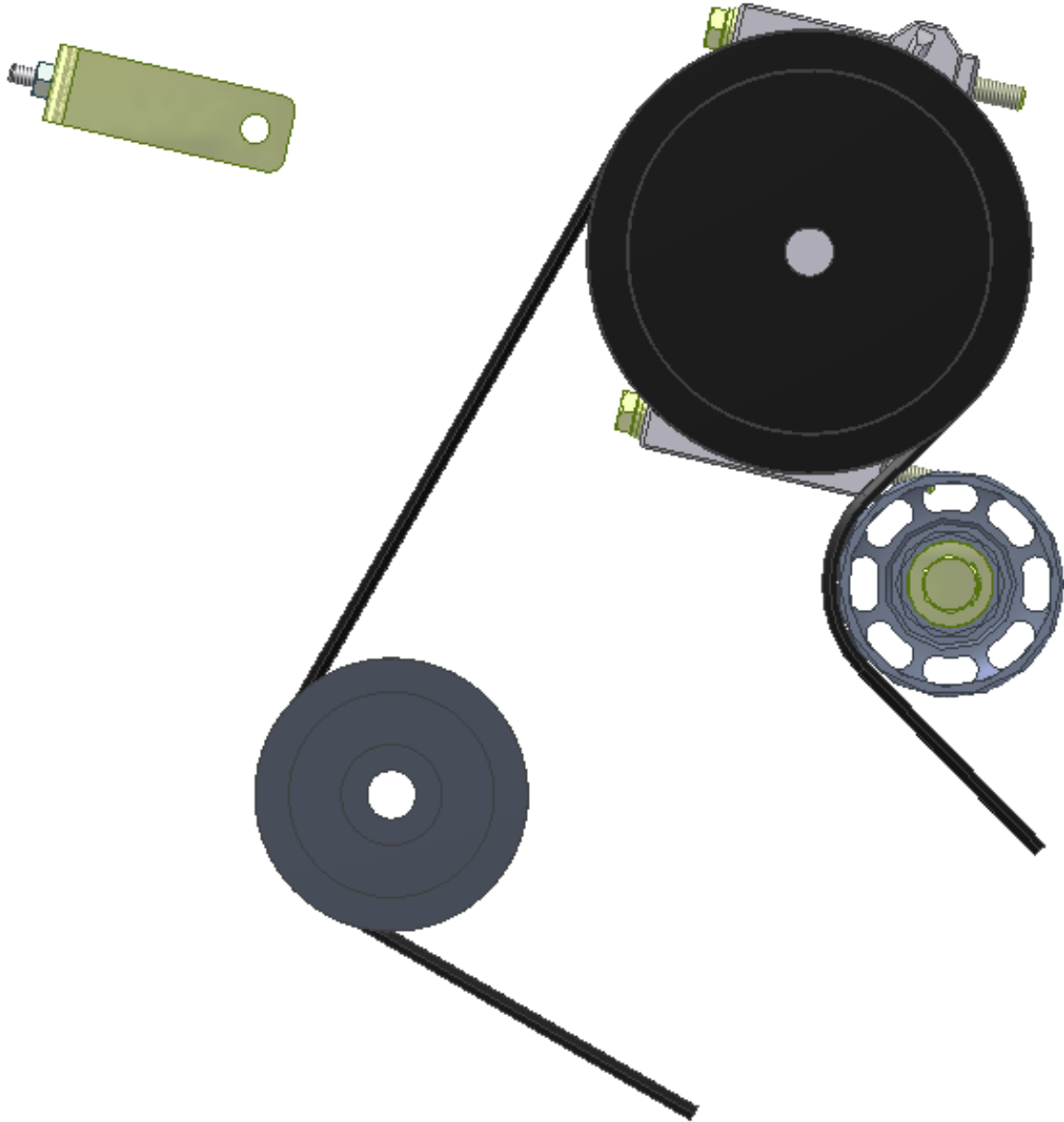
TITLE  
Mt. KIT, MFORCE DT, CE300, 21, '07

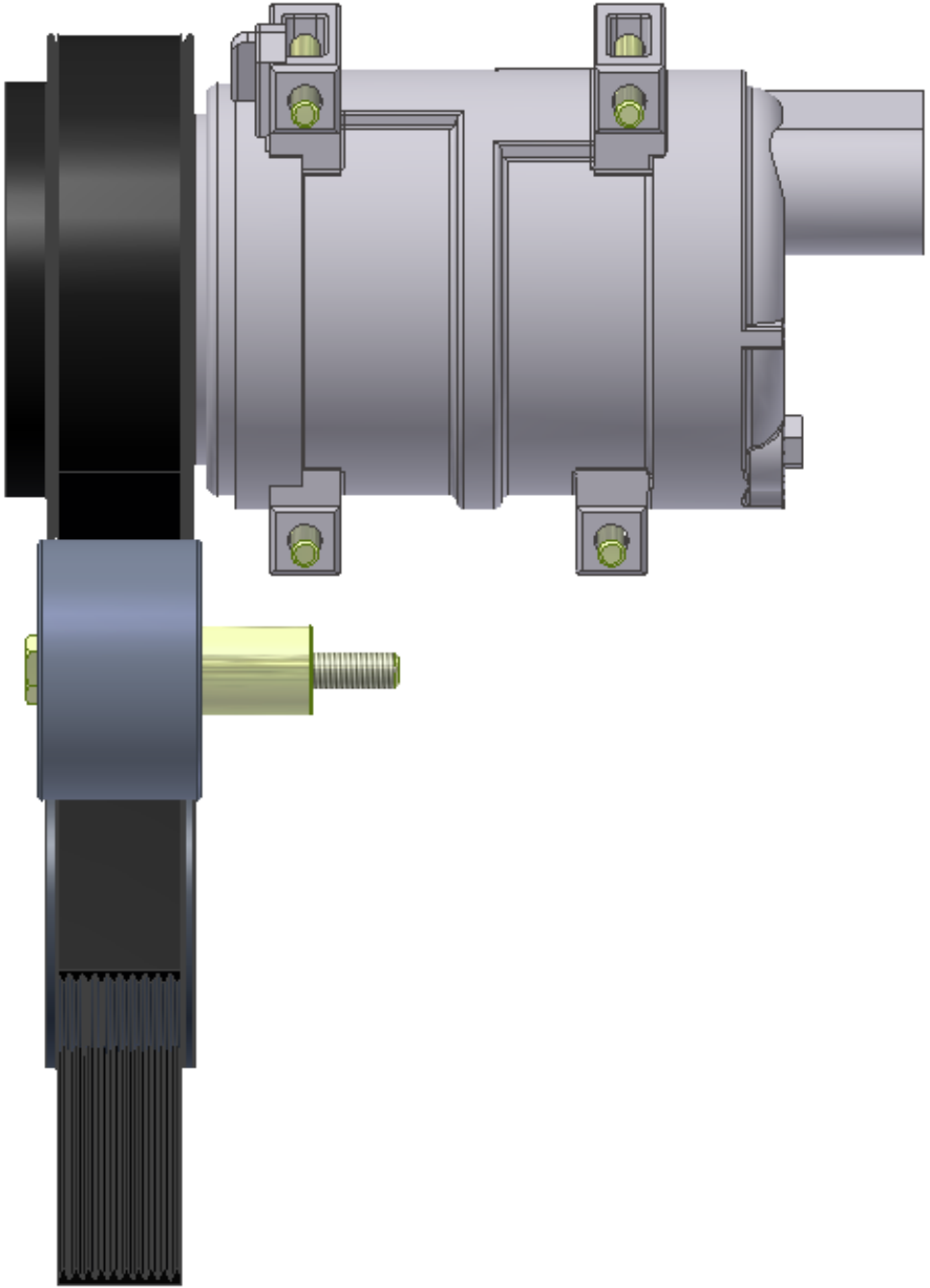
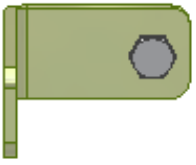
UNSPECIFIED TOLERANCES:	(ALL DIM)	GROUP
ONE DECIMAL PLACE (10)	Ø .05	FORM
TWO DECIMAL PLACE (20)	Ø .02	USE
FRACTIONAL (1/32)	Ø .015	USE
	Ø .005	USE

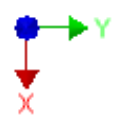
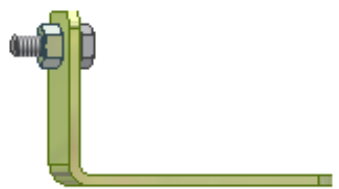
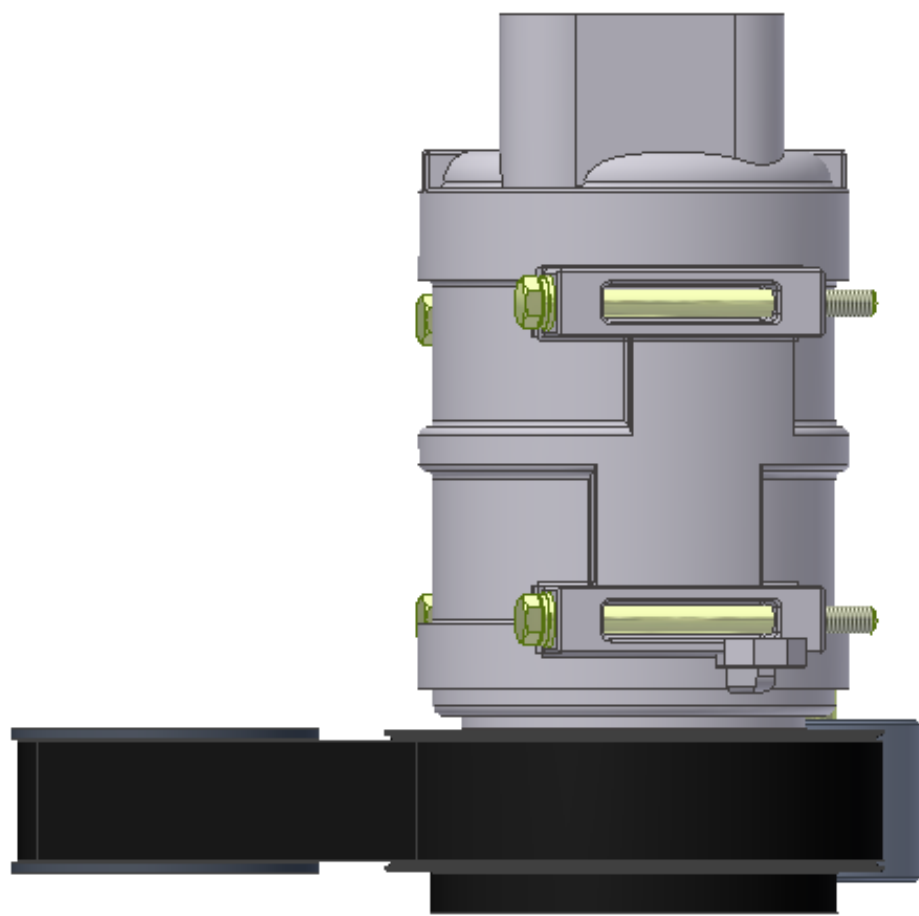


DWG NO	REV
KMN81371	0
SCALE	1 : 2
DRAWING UNIT OF MEASURE	MM (INCH)
SHEET	1 OF 1









## **TransArctic A/C Compressor Mount Installation Disclaimer**

All compressor mounts should be installed by qualified and trained personnel using proper tools and equipment in safe working conditions following industry standard guidelines for motor vehicle service and repair.

The installer of any compressor mount purchased from TransArctic must undertake all responsibility of issues arising from that compressor bracket being installed on any vehicle. As well as insure that a **proper and sufficient ground** is established between the compressors' clutches and the vehicle's engine. Mount functionality, operation and durability can all be compromised by an incompetent installation.

Due to the many different situations, parameters and application criteria, which are beyond the compressor mount manufacturer's control, TransArctic does not warrant design, durability, or operational functionality of any compressor mount improperly installed by another party.

**With no implied guarantees it is the mount installer's strict responsibility to determine safety and functionality, of the compressor mount, at the time of installation.**

Please contact TransArctic with any issue arising from installation so we may better improve the product. If you have any reservations about the compressor mount integrity contact TransArctic immediately at 1-877-COLD-AIR.