

# Bill of Materials Listing

TransArctic Canada Inc.

6/27/2007

Page 1 of 1

Product Number		Description	Bin	Date	Weight	Uof M	Yield
Line	Component Prod#	Description		Unit	Qty		
<b>KMN61071</b>		<b>Mt. Kit, MForce 7, CE200, TM-16, 07</b>		<b>5/12/2007</b>	<b>2.30</b>		<b>0</b>
10	BEL82705	Belt, 8gr, 2705mm (106.5") (5081065)		each	1		
20	PUL80076	Pulley, Idler, Backside, P8, 76d (89062)		each	1		
40	KBN61071	Bag Kit, Fasteners, KMN61071		each	1		

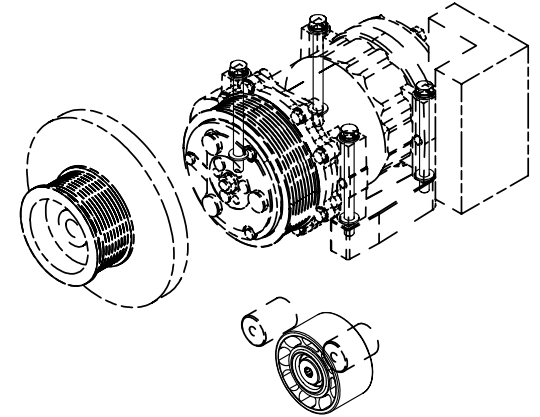
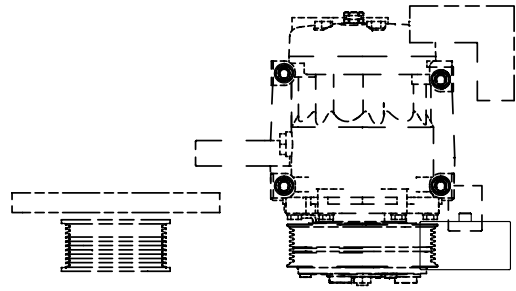
# Bill of Materials Listing

TransArctic Canada Inc.

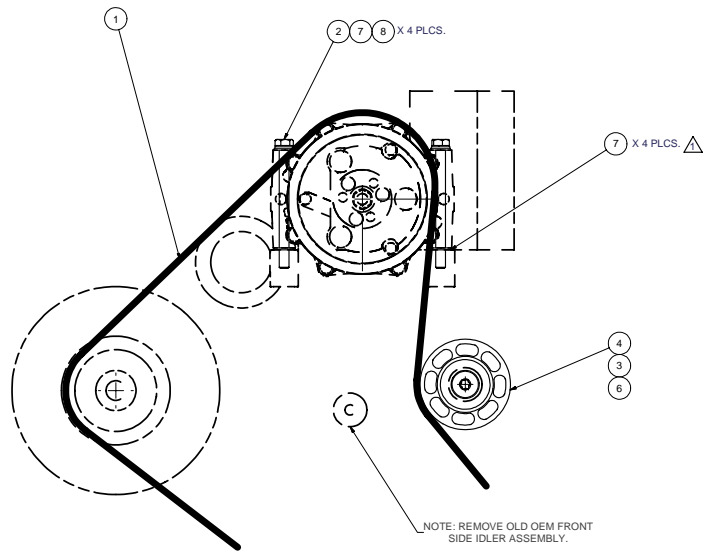
6/27/2007

Page 1 of 1

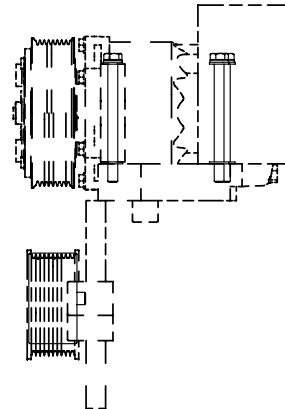
Product Number		Description	Bin	Date	Weight	Uof M	Yield
Line	Component Prod#	Description		Unit	Qty		
<b>KBN61071</b>		<b>Bag Kit, Fasteners, KMN61071</b>		<b>6/8/2007</b>	<b>0.43</b>		<b>0</b>
10	BTC08100	Bolt, Hex, 8 x 1.25 x 100mm, 10.9, Plt		each	4		
20	BTS10001	Bolt, Shoulder, 10mm (89064)		each	1		
30	WDS17001	Washer, Dust Cover (89060)		each	1		
40	WFA08000	Washer, Flat, 8mm, 8.8, Plt		each	8		
50	WLA08000	Washer, Lock, 8mm, 8.8, Plt		each	4		



ISOMETRIC VIEW



NOTE: REMOVE OLD OEM FRONT SIDE IDLER ASSEMBLY.



NOTES:

- 1) USE SERVICABLE THREADLOCKER ON ALL FASTENERS TO ENGINE COMPONENTS AND TORQUE ALL BOLTS TO S.A.E. SPECIFICATIONS.
- 2) SEE 'TRANSARGTIC A/C COMPRESSOR MOUNT INSTALLATION DISCLAIMER'.

ITEM	QTY	U/M	PART NUMBER	DESCRIPTION
8	4	EACH	WLA08000	WASHER, LOCK, 8mm, 8.8, PLT
7	8	EACH	WFA08000	WASHER, FLAT, 8mm, 8.8, PLT
6	1	EACH	WDS17001	WASHER, DUST COVER (PUL80076)
4	1	EACH	PUL80076	PULLEY, IDLER, BACKSIDE, P8, 76D, 39W
3	1	EACH	BTS10001	BOLT, SHOULDER, 10mm (IDLER PULLEY)
2	4	EACH	BTC08100	BOLT, HEX, 8 x 1.25 x 100mm, 10.9, PLT
1	1	EACH	BEL82705	BELT, 8gr, 2705mm (106.5")

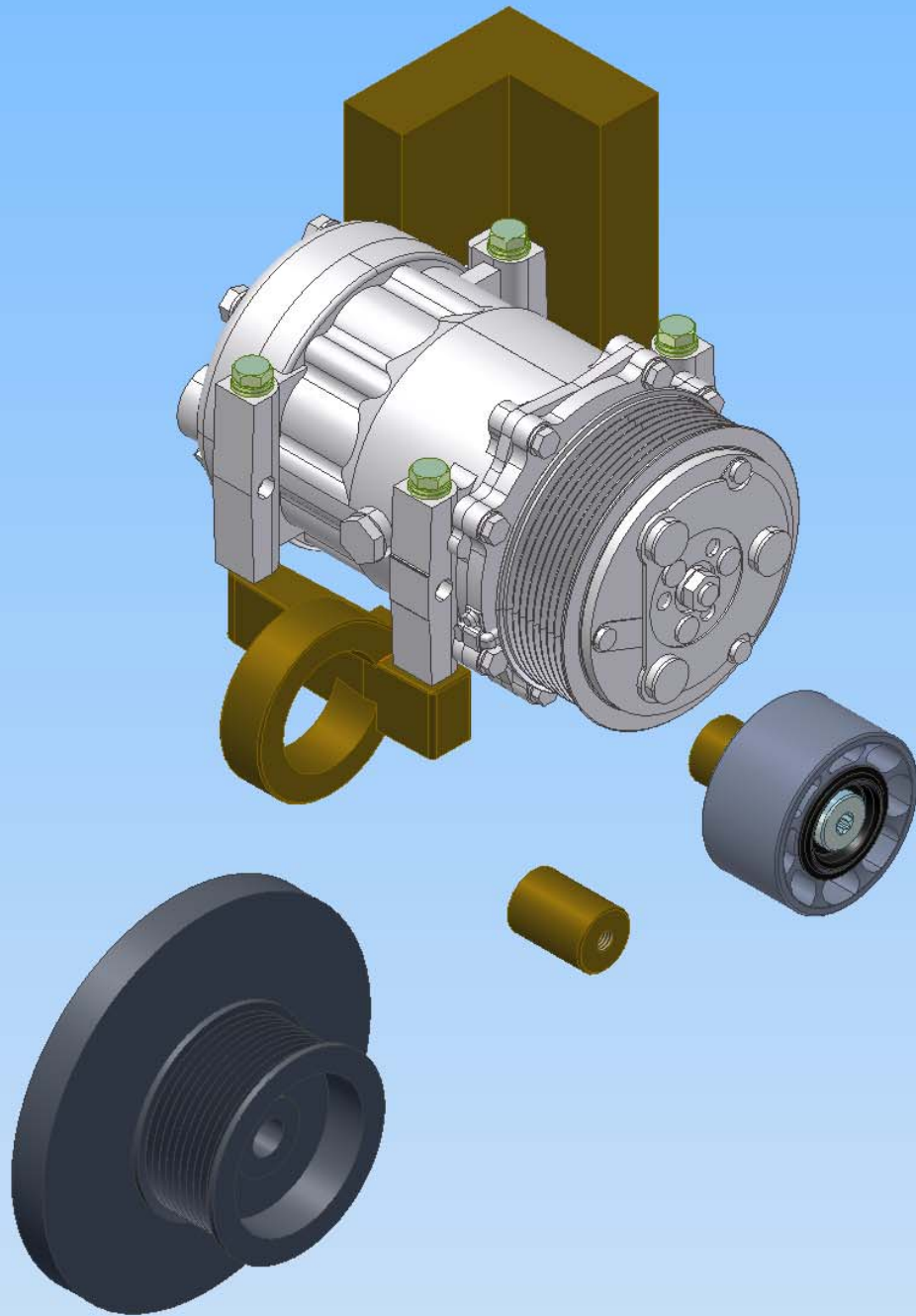


DRAWN	brundie	6/5/2007
CHECKED	James Stewart	6/5/2007
REV	DESCRIPTION	DATE
0	RELEASED TO PRODUCTION	6/5/2007
1	CHANGED TO WFA08000	6/27/2007
2	RELEASED TO PRODUCTION	6/5/2007
3	DATE	BY
4	6/5/2007	Ron Ingram
5	6/5/2007	Dale Mason

THIS DRAWING CONTAINS PROPRIETARY CONFIDENTIAL INFORMATION OWNED BY TRANSARGTIC CANADA INC. THE DOCUMENT AND THE INFORMATION IN IT ARE NOT TO BE USED, DISCLOSED OR REPRODUCED WITHOUT EXPRESS WRITTEN PERMISSION OF THE COMPANY.

UNSPECIFIED TOLERANCES:			
DWG DIM	FRACTIONAL	DECIMAL	ANGULAR
±.005	±.005	±.005	±.005
±.002	±.002	±.002	±.002
±.001	±.001	±.001	±.001

BILL OF MATERIALS		TITLE	
MT. KIT, MFORCE 7, CE200, TM-16, 07		DWG NO	
KMN61071		REV	
SCALE 1:2		1	
DRAWING UNIT OF MEASURE MM (INCH)		SHEET 1 OF 1	



## **TransArctic A/C Compressor Mount Installation Disclaimer**

All compressor mounts should be installed by qualified and trained personnel using proper tools and equipment in safe working conditions following industry standard guidelines for motor vehicle service and repair.

The installer of any compressor mount purchased from TransArctic must undertake all responsibility of issues arising from that compressor bracket being installed on any vehicle. As well as insure that a **proper and sufficient ground** is established between the compressors' clutches and the vehicle's engine. Mount functionality, operation and durability can all be compromised by an incompetent installation.

Due to the many different situations, parameters and application criteria, which are beyond the compressor mount manufacturer's control, TransArctic does not warrant design, durability, or operational functionality of any compressor mount improperly installed by another party.

**With no implied guarantees it is the mount installer's strict responsibility to determine safety and functionality, of the compressor mount, at the time of installation.**

Please contact TransArctic with any issue arising from installation so we may better improve the product. If you have any reservations about the compressor mount integrity contact TransArctic immediately at 1-877-COLD-AIR.