

Bill of Materials Listing

TransArctic Canada Inc.

7/13/2017
Page 1 of 1

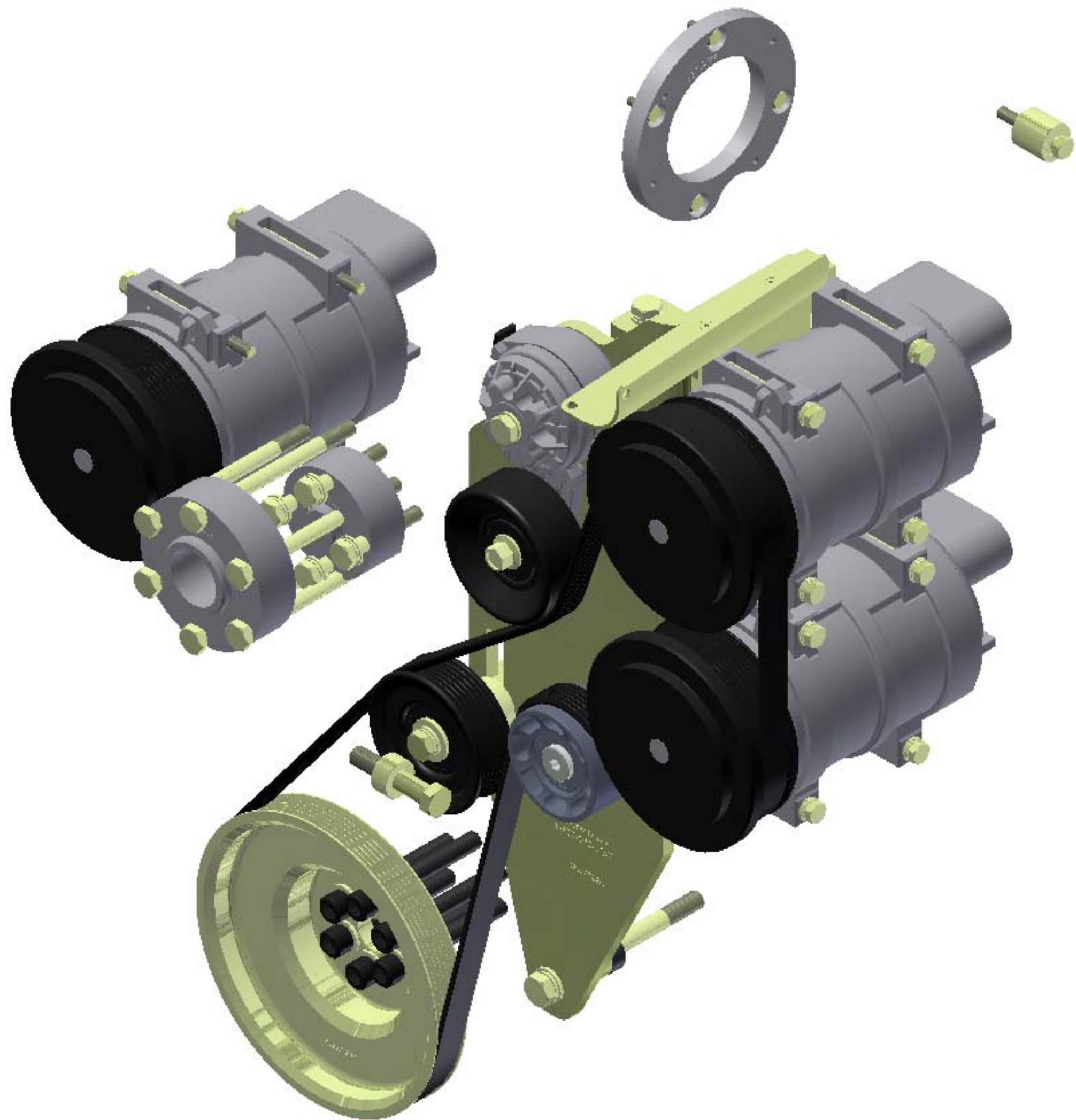
Product Number		Description	Bin	Date	Weight	Uof M	Yield
Line	Component Prod#	Description		Unit	Qty		
KMC62674		Mt Kit, ISB, 6.7L, C2, 2 TM-21, '12+		3/16/2012	53.53		0
10	BEL61791	Belt, 6gr, 1791mm (70.5") (5060705)		each	1		
20	BMC67084	Bkt, Main, Wldt, D-S, 6.7L, ISB, C2		each	1		
25	BMC67092	BKT, Hose, Brace, 12 GA.		each	1		
30	FSP59286	Spacer, Fan, Pulley, ISB, 28.6mm (1.13")		each	1		
40	FSP62905	Spacer, Fan, Pulley, ISB, 29.05mm(1.14")		each	1		
45	4933235	Gasket, Connection,Throttle Body,Cummins		each	2		
47	NTS10254	Nut, Tensioner, 10 mm, 25.4 mm o/a, PLT		each	1		
50	PUL60089	Pulley, Frontside, STL, P6,89.4d (89174)		each	1		
60	PUL67006	Pulley, Crank, ADD-ON, Cum, ISB, 6.7, P6		each	1		
70	PUL80076	Pulley, Idler, Backside, P8, 76d (89101)		each	1		
75	SCD38430	Spacer, Step, Drl,38.4mm x 34.9o x10.08i		each	1		
80	SCD12713	Spacer, Col, Drl, 12.7mm x 25.4o x12.7i		each	1		
82	SCD25408	Spacer, Col, Drl, 25.4mm x 25.4o x 8.33i		each	1		
84	SCD31512	Spacer, Col, Drl,31.48mm x 25.4o x 12.3i		each	1		
110	SLV17110	Sleeve, Pulley,S,16.9o x 22.23mm x 10.3i		each	1		
115	SPC12783	Spacer, Throttle Body, Offset,ISB,C2,'13		each	1		
120	TEN80005	Tenr, HD Spring, BackSide, CCW (89430)		each	1		
130	KBC62674	Bag Kit, Fasteners, KMC62674		each	1		

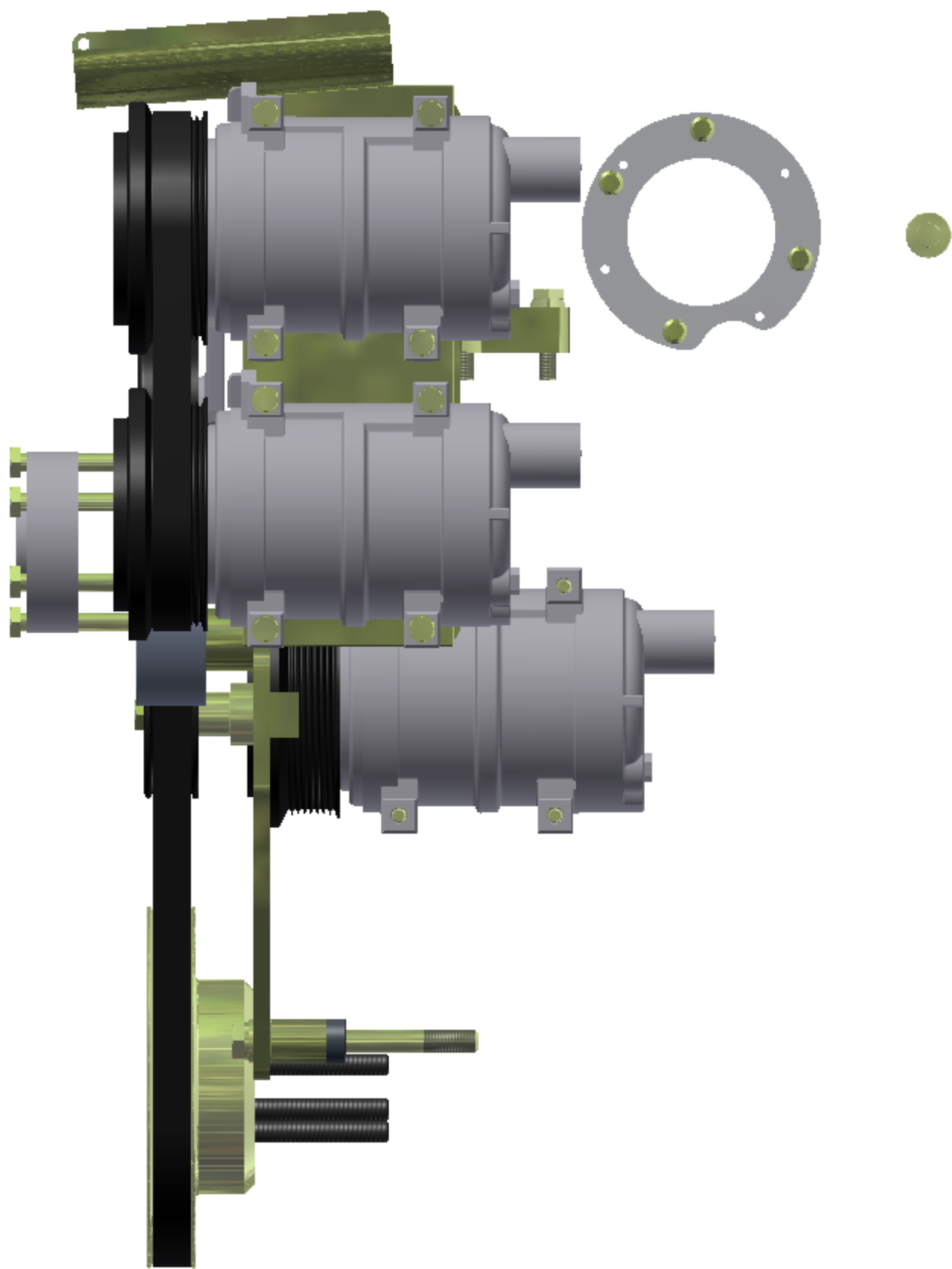
Bill of Materials Listing

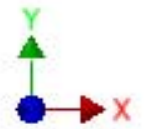
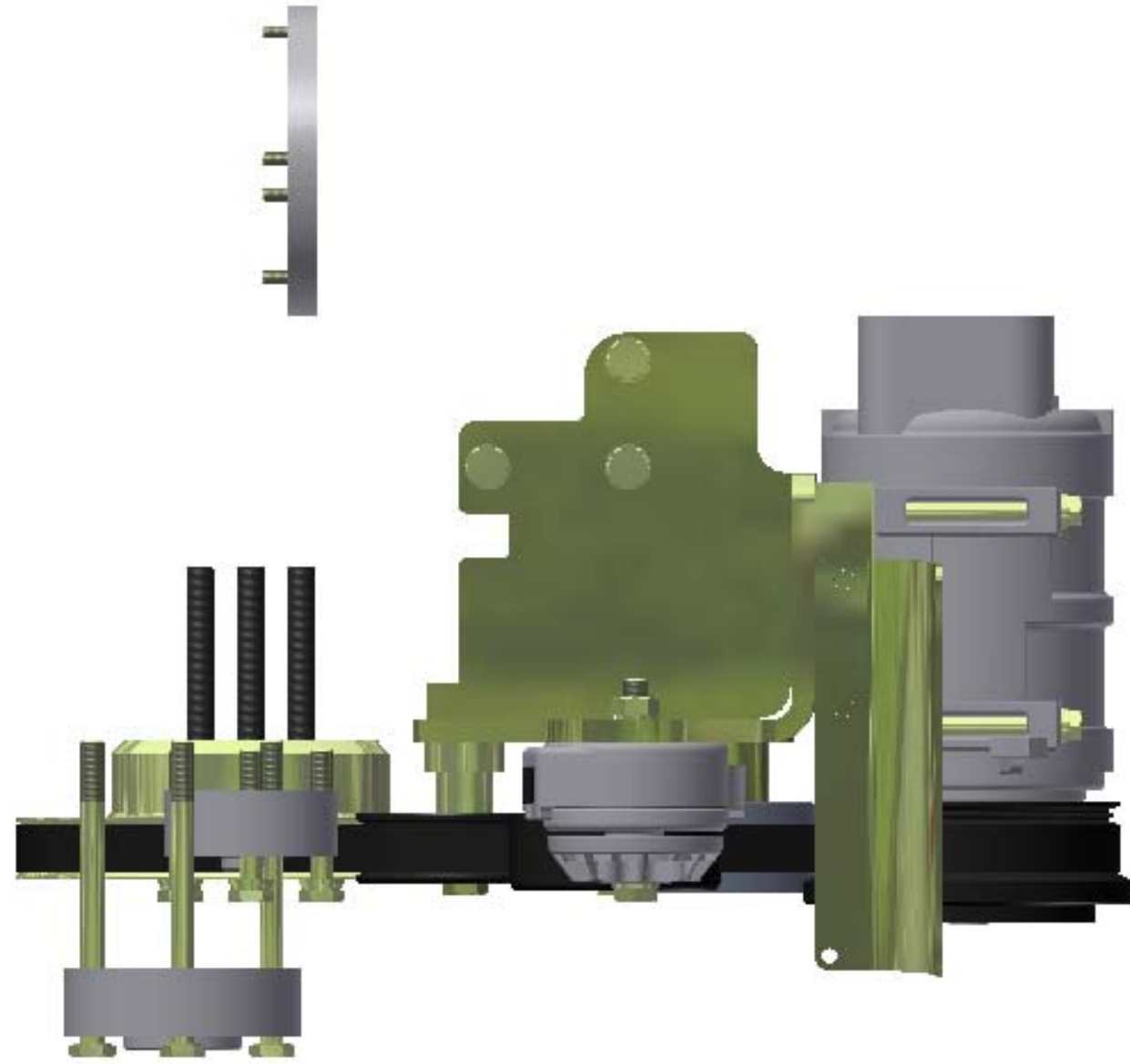
TransArctic Canada Inc.

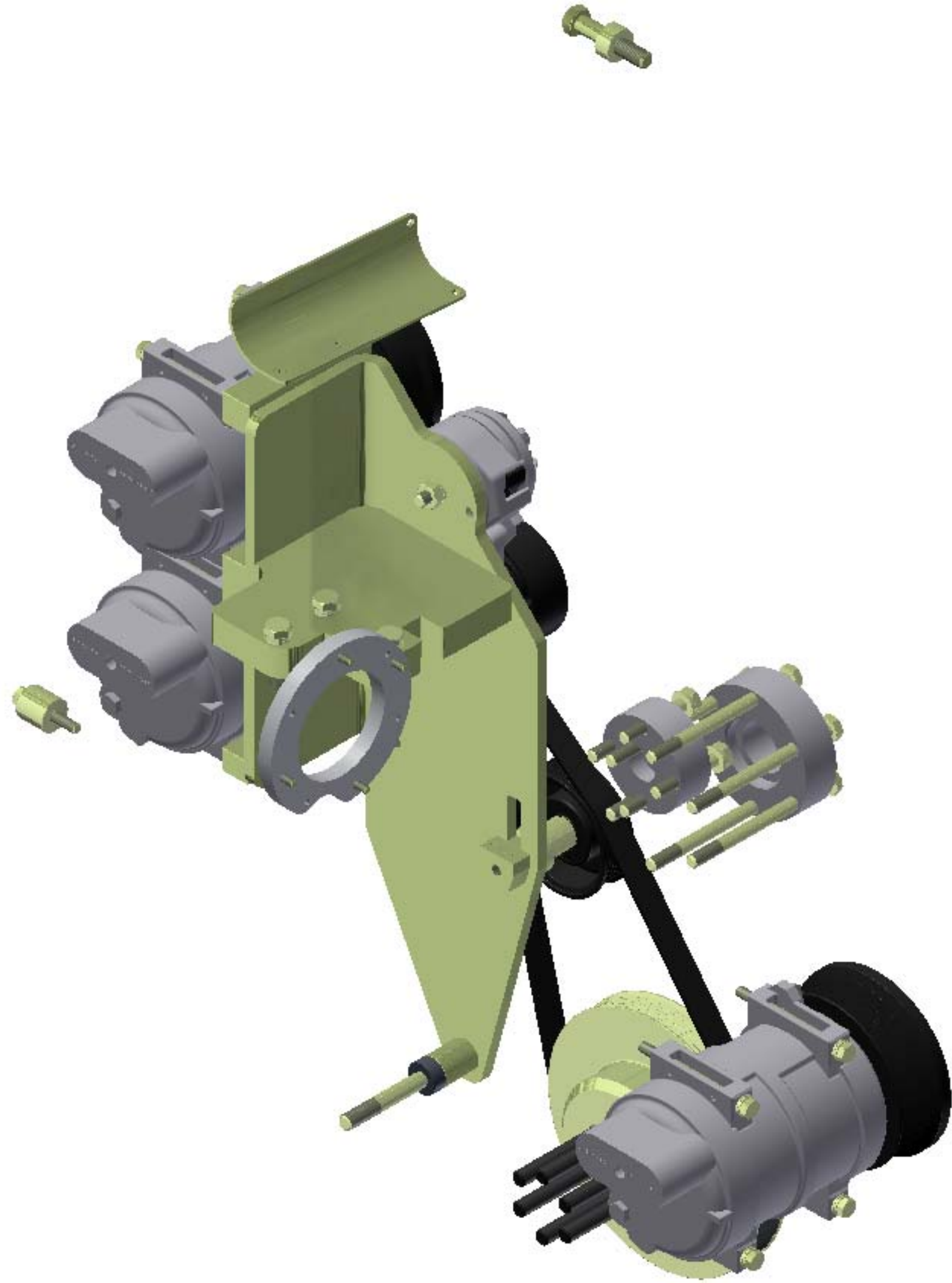
7/13/2017
Page 1 of 1

Product Number	Description	Date	Weight	Uof M	Yield
Line Component Prod#	Description	Bin Unit	Qty		
KBC62674	Bag Kit, Fasteners, KMC62674	11/6/2012	5.27		0
1	BTS10001 Bolt, Shoulder, 10mm (89064)	each	1		
3	BTS06015 Bolt, Hex, Flg, 6mm x 1.0 x 16, 10.9,Plt	each	4		
5	BTC08050 Bolt, Hex, 8 x 1.25 x 50mm, 10.9, Plt	each	1		
10	BTC08100 Bolt, Hex, 8 x 1.25 x 100mm, 10.9, Plt	each	12		
20	BTC10045 Bolt, Hex, 10 x 1.5 x 45mm, 10.9, Plt,FT	each	3		
30	BTC10060 Bolt, Hex, 10 x 1.5 x 60mm, 10.9, Plt	each	4		
35	BTC10080 Bolt, Hex, 10 x 1.5 x 80mm, 10.9, Plt,FT	each	1		
40	BTC10090 Bolt, Hex, 10 x 1.5 x 90mm, 10.9, Plt	each	1		
50	BTC10130 Bolt, Hex, 10 x 1.5 x 130mm, 10.9, Plt	each	6		
70	BTC12130 Bolt, Hex, 12 x 1.75 x 130mm, 10.9, Plt	each	1		
75	BTQ08250 Bolt, Hex, 1/2-13unc, 2.5", 8, Plt	each	1		
78	CSF04012 Capscrew, FH, M4 x 0.7 x 12, Alloy, Plt	each	2		
80	CSS12090 Capscrew, SH, 12 x 1.25 x 90mm, 12.9,BLK	each	6		
90	NTA10000 Nut, Hex, 10 x 1.5, 8.8, Plt	each	1		
100	WFA08000 Washer, Flat, 8mm, 8.8, Plt	each	12		
110	WFA10000 Washer, Flat, 10mm, 8.8, Plt	each	9		
120	WFA12000 Washer, Flat, 12mm, 8.8, Plt	each	1		
130	WFS12002 Washer, Flat, Hdn, 12mm, Stl, BLK	each	6		
140	WLA08000 Washer, Lock, 8mm, 8.8, Plt	each	12		
150	WLA10000 Washer, Lock, 10mm, 8.8, Plt	each	9		
160	WLA12000 Washer, Lock, 12mm, 8.8, Plt	each	1		









TransArctic A/C Compressor Mount Installation Disclaimer

All compressor mounts should be installed by qualified and trained personnel using proper tools and equipment in safe working conditions following industry standard guidelines for motor vehicle service and repair.

The installer of any compressor mount purchased from TransArctic must undertake all responsibility of issues arising from that compressor bracket being installed on any vehicle. As well as insure that a **proper and sufficient ground** is established between the compressors' clutches and the vehicle's engine. Mount functionality, operation and durability can all be compromised by an incompetent installation.

Due to the many different situations, parameters and application criteria, which are beyond the compressor mount manufacturer's control, TransArctic does not warrant design, durability, or operational functionality of any compressor mount improperly installed by another party.

With no implied guarantees it is the mount installer's strict responsibility to determine safety and functionality, of the compressor mount, at the time of installation.

Please contact TransArctic with any issue arising from installation so we may better improve the product. If you have any reservations about the compressor mount integrity contact TransArctic immediately at 1-877-COLD-AIR.

Mark OEM tensioner location

Install Kit

Check for Interferences

Check to ensure that the proper OEM tensioner orientation is maintained

Run engine with A/C system engaged for at least 10 minutes to run in belt

Check OEM tensioner orientation and adjust as required

Responsabilidad limitada de TransArctic en la instalación del soporte del compresor

Todos los soportes de los compresores deben ser instalados por personas calificadas y entrenadas, usando para ello los equipos y herramientas necesarios para esta labor en buenas condiciones y según las normas y guías para el servicio y/o reparación de motores de vehículos.

El instalador de los soportes comprados en TransArctic asume toda la responsabilidad de cualquier problema que surga en el soporte del compresor al vehículo; de igual manera es responsable que el cable a tierra sea conectado entre el embrague del compresor y el motor del vehículo.

Se advierte que el buen funcionamiento y la durabilidad del soporte pueden ser comprometidos por defectos en su instalación.

Debido a las diversas situaciones que se puedan presentar fuera del control del fabricante, TransArctic no garantiza el diseño, la durabilidad o el correcto funcionamiento de cualquier equipo inapropiadamente instalado por terceros.

Esta sobreentendido que el Instalador del montaje del compresor es estrictamente responsable de la seguridad y funcionamiento del equipo en el momento de la instalación.

Si tuviera algún problema o duda acerca de la instalación del soporte del compresor pongase en contacto inmediatamente con TransArctic al teléfono 1-877-COLD-AIR de modo que podamos mejorar nuestro producto.

Note la ubicación del medidor de tensión OEM

Instale el equipo

Controlar si hay interferencias.

Asegurese que el medidor de tensión mantenga la orientación justa.

Encienda el motor por lo menos 10 minutos con el sistema A/C enganchado para que la correa corra

Controle la orientación justa del medidor de tensión y ajuste a las condiciones requeridas del fabricante