

# Bill of Materials Listing

TransArctic Canada Inc.

3/19/2009  
Page 1 of 1

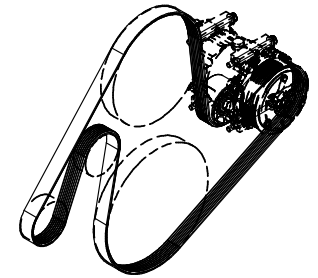
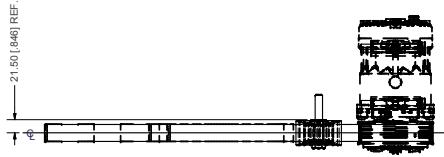
| Product Number             | Description                                     | Date                        | Weight           | Uof M       | Yield    |
|----------------------------|---|-----------------------------|------------------|-------------|----------|
| Line    Component    Prod# | Description                                     | Bin                    Unit | Qty              |             |          |
| <b>KMM61003</b>            | <b>Mt Kit, 7.2L MBE926, C2, TM-16, OEM, '07</b> |                             | <b>2/22/2007</b> | <b>2.32</b> | <b>0</b> |
| 10 BEL82096                | Belt, 8gr, 2096mm (82.5") (5080825)             |                             | each             | 1           |          |
| 30 PUL80076                | Pulley, Idler, Backside, P8, 76d (89062)        |                             | each             | 1           |          |
| 60 SCD09512                | Spacer, Col, Drl, 9.53mm x 25.4o x12.32i        |                             | each             | 1           |          |
| 70 SLV17012                | Sleeve, Pulley, 16.9o x 22.23mm x 12.32i        |                             | each             | 1           |          |
| 80 KBM61303                | Bag Kit, Fasteners, KMM61303/KMM61003           |                             | each             | 1           |          |

# Bill of Materials Listing

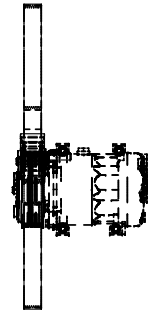
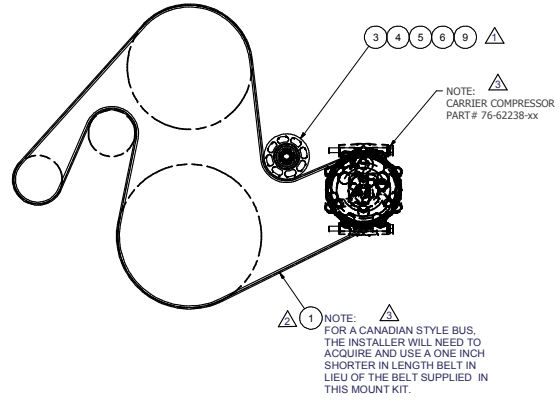
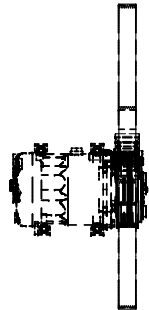
TransArctic Canada Inc.

3/19/2009  
Page 1 of 1

| Product Number                            | Description                                  | Date             | Weight      | Uof M | Yield    |
|---|--|------------------|-------------|-------|----------|
| Line    Component    Prod#    Description | Bin  | Unit             | Qty         |       |          |
| <b>KBM61303</b>                           | <b>Bag Kit, Fasteners, KMM61303/KMM61003</b> | <b>2/26/2007</b> | <b>0.54</b> |       | <b>0</b> |
| 10 BTC12080                               | Bolt, Hex, 12 x 1.75 x 80mm, 10.9,Plt,FT     | each             | 1           |       |          |
| 20 BTC08100                               | Bolt, Hex, 8 x 1.25 x 100mm, 10.9, Plt       | each             | 4           |       |          |
| 30 WFA08000                               | Washer, Flat, 8mm, 8.8, Plt                  | each             | 4           |       |          |
| 40 WLA08000                               | Washer, Lock, 8mm, 8.8, Plt                  | each             | 4           |       |          |
| 50 WLA12000                               | Washer, Lock, 12mm, 8.8, Plt                 | each             | 1           |       |          |



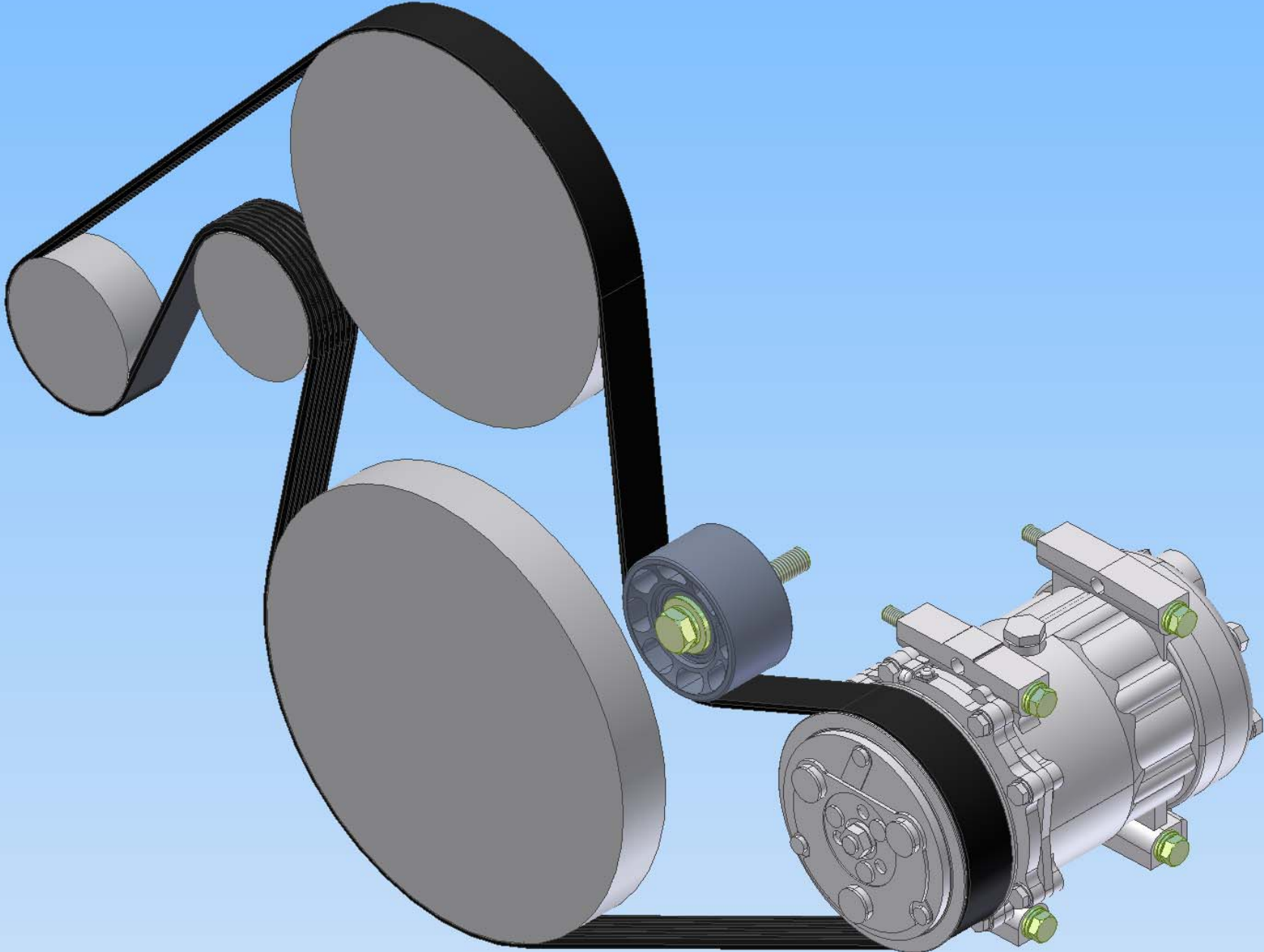
ISOMETRIC VIEW



NOTES:  
 1) USE SERVICABLE THREADLOCKER ON ALL FASTENERS TO ENGINE COMPONENTS AND TORQUE ALL BOLTS TO S.A.E. SPECIFICATIONS.  
 2) SEE "TRANSARCTIC A/C COMPRESSOR MOUNT INSTALLATION DISCLAIMER".

| ITEM | QTY | U/M  | PART NUMBER | DESCRIPTION                                |
|------|-----|------|-------------|--|
| 9    | 1   | EACH | WLA12000    | WASHER, LOCK, 12mm, 8.8, PLT               |
| 8    | 4   | EACH | WLA08000    | WASHER, LOCK, 8mm, 8.8, PLT                |
| 7    | 4   | EACH | WFA08000    | WASHER, FLAT, 8mm, 8.8, PLT                |
| 6    | 1   | EACH | SLV17012    | SLEEVE, PULLEY, 16.9x 22.23 mm x12.19i     |
| 5    | 1   | EACH | SCD09512    | SPACER, COL, DRL, 9.53mm x 25.4x 12.32i    |
| 4    | 1   | EACH | PUL80076    | PULLEY, IDLER, BACKSIDE, P8, 76D, 39W      |
| 3    | 1   | EACH | BTC12080    | BOLT, HEX, 12 x 1.75 x 80mm, 10.9, PLT, FT |
| 2    | 4   | EACH | BTC08100    | BOLT, HEX, 8 x 1.25 x 100mm, 10.9, PLT     |
| 1    | 1   | EACH | BEL82096    | BELT, 8 GR, 2096mm (82.5") (5080825)       |

| BILL OF MATERIAL   |                           |           |      | DRAWN                  |           | TITLE  |     |      |          |
|--|---------------------------|-----------|------|------------------------|-----------|--|-----|------|----------|
| 3  | ADDED BELT NOTE & COMP ID | 3/19/2007 | VAL  | WRAKView               | 4/17/2007 | <b>TRANSARCTIC INC.</b>                            |     |      |          |
| 2  | BELT CHANGED FROM 83" TO  | 7/6/2007  | BRAR | Checked                |           |  |     |      |          |
| 1  | SCD09512 ADDED            | 6/14/2007 | BRAR | James Stewart          | 4/17/2007 | MT KIT, 7.2L MBE926, C2, TM-16, OEM, '07           |     |      |          |
| 1  | RELEASED TO PRODUCTION    | 4/17/2007 | VAL  | CA                     |           |  |     |      |          |
| REV  | DESCRIPTION               | DATE      | BY   | James Stewart          | 4/17/2007 |  |     | SIZE | DWG NO   |
|  |                           |           |      | Ron Ingram             | 4/17/2007 |  |     | D    | KMM61003 |
|  |                           |           |      | Dale Mason             | 4/17/2007 | SCALE  | 1:4 |      |          |
| UNDESIGNED TOLERANCES: (ALL DIM) GROUP<br>ONE DECIMAL PLACE (10) AS SHOWN<br>THIRDS DECIMAL PLACE (100) AS SHOWN<br>FRACTIONAL (1/32) AS SHOWN |                           |           |      | THIRD ANGLE PROJECTION |           | DRAWING UNIT OF MEASURE: MM (INCH)<br>SHEET 1 OF 1 |     |      |          |



## **TransArctic A/C Compressor Mount Installation Disclaimer**

All compressor mounts should be installed by qualified and trained personnel using proper tools and equipment in safe working conditions following industry standard guidelines for motor vehicle service and repair.

The installer of any compressor mount purchased from TransArctic must undertake all responsibility of issues arising from that compressor bracket being installed on any vehicle. As well as insure that a **proper and sufficient ground** is established between the compressors' clutches and the vehicle's engine. Mount functionality, operation and durability can all be compromised by an incompetent installation.

Due to the many different situations, parameters and application criteria, which are beyond the compressor mount manufacturer's control, TransArctic does not warrant design, durability, or operational functionality of any compressor mount improperly installed by another party.

**With no implied guarantees it is the mount installer's strict responsibility to determine safety and functionality, of the compressor mount, at the time of installation.**

Please contact TransArctic with any issue arising from installation so we may better improve the product. If you have any reservations about the compressor mount integrity contact TransArctic immediately at 1-877-COLD-AIR.