

Bill of Materials Listing

TransArctic Canada Inc.

8/20/2020
Page 1 of 1

Product Number		Date	Description		Uof M	Weight	Yield	
Line	Qty	Component Prod#	Rev#	Description	Bin	Unit		
KMC62676		3/4/2008	2	Mt Kit, ISB, 6.7L, C2, 2 TM-21, '07-'10			62.76	0
5	1	PAC15110		Pack, Carton, 15" x 11" x 10", 51 ECT		each		
10	1	KRC62677		1 Kit, Retrofit, TEN00002 To TEN80007_C2		each		
20	1	BMC67012		2 Bkt, Main, Weldmt, D-S, 6.7L, ISB, C2		each		
25	1	BMC67022		1 Bkt, Upper, Weldmt, D/S, ISB, TM-21		each		
27	1	BMC67023		0 Bkt, Lower, Weldmt, D/S, ISB, TM-21		each		
30	1	PUL67001		1 Pulley, Crank, ADD-ON, Cum, ISB, 6.7, SA		each		
50	1	FSP59286		0 Spacer, Fan, Pulley, ISB, 28.6mm (1.13")	Alley	each		
55	1	FSP61905		0 Spacer, Fan, Pulley, ISB, 19.05mm (.75")		each		
100	1	KBC62676		1 Bag Kit, Fasteners, KMC62676		each		

Bill of Materials Listing

TransArctic Canada Inc.

8/20/2020
Page 1 of 1

Product Number	Date	Description	Uof M	Weight	Yield				
Line	Qty	Component Prod#	Rev#	Description	Bin	Unit			
KBC62676	4/16/2008	0		Bag Kit, Fasteners, KMC62676				4.08	0
10	6	CSS12090		Capscrew, SH, 12 x 1.25 x 90mm, 12.9,BLK		each			
20	1	BTC10130		Bolt, Hex, 10 x 1.5 x 130mm, 10.9, Plt		each			
24	6	BTC10120		Bolt, Hex, 10 x 1.5 x 120mm, 10.9, Plt		each			
26	7	BTC08100		Bolt, Hex, 8 x 1.25 x 100mm, 10.9, Plt		each			
30	4	BTC10060		Bolt, Hex, 10 x 1.5 x 60mm, 10.9, Plt		each			
40	3	BTC10040		Bolt, Hex, 10 x 1.5 x 40mm, 10.9, Plt,FT		each			
50	1	BTC10035		Bolt, Hex, 10 x 1.5 x 35mm, 10.9, Plt,FT		each			
100	2	NTA10000		Nut, Hex, 10 x 1.5, 8.8, Plt		each			
110	6	WFS12002	0	Washer, Flat, Hdn, 12mm, Stl, BLK		each			
120	11	WFA10000		Washer, Flat, 10mm, 8.8, Plt		each			
140	10	WLA10000		Washer, Lock, 10mm, 8.8, Plt		each			
150	7	WFA08000		Washer, Flat, 8mm, 8.8, Plt		each			
160	7	WLA08000		Washer, Lock, 8mm, 8.8, Plt		each			

Bill of Materials Listing

TransArctic Canada Inc.

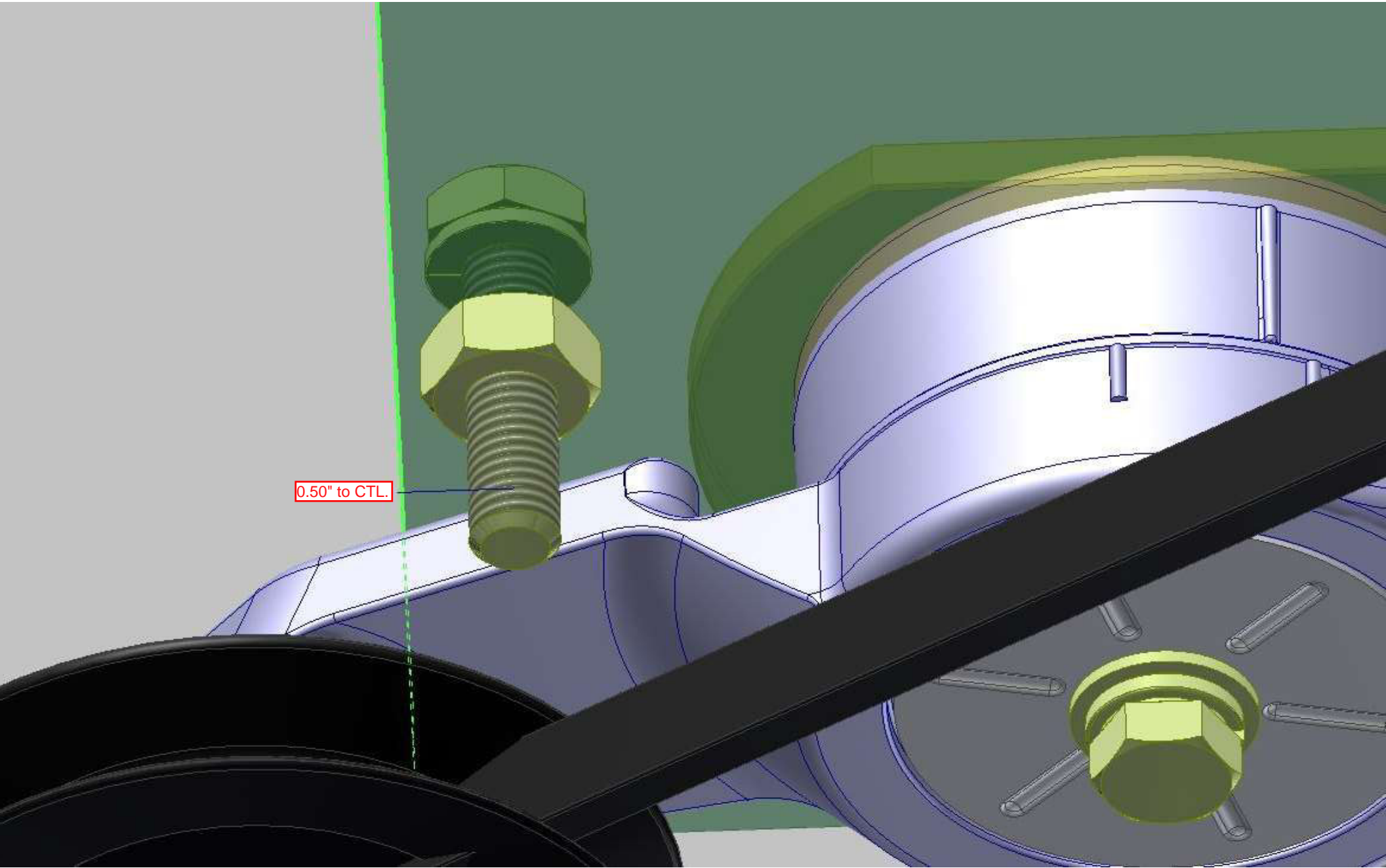
8/20/2020
Page 1 of 1

Product Number	Date	Description			Uof M	Weight	Yield	
Line	Qty	Component Prod#	Rev#	Description	Bin	Unit		
KRC62677	12/13/2016		0	Kit, Retrofit, TEN00002 To TEN80007_C2			3.81	0
5	1	BEL11473		Belt, A gr, 1473mm (58") (17580)		each		
10	1	TEN80007		Tenr, Spring, 94mm,A gr,CW,Assy		each		
20	1	BTQ06300		Bolt, Hex, 3/8-16unc, 3.00", 8, Plt		each		
22	1	BTQ06150		Bolt, Hex, 3/8-16unc, 1.50", 8, Plt		each		
25	1	NTQ06000		Nut, Hex, 3/8-16unc, 8, Plt		each		
30	1	WFN06000		Washer, Flat, 3/8", 2, Plt		each		
40	2	WLQ06000		Washer, Lock, 3/8", 8, Plt		each		

Note:

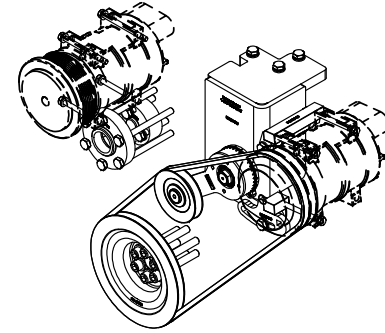
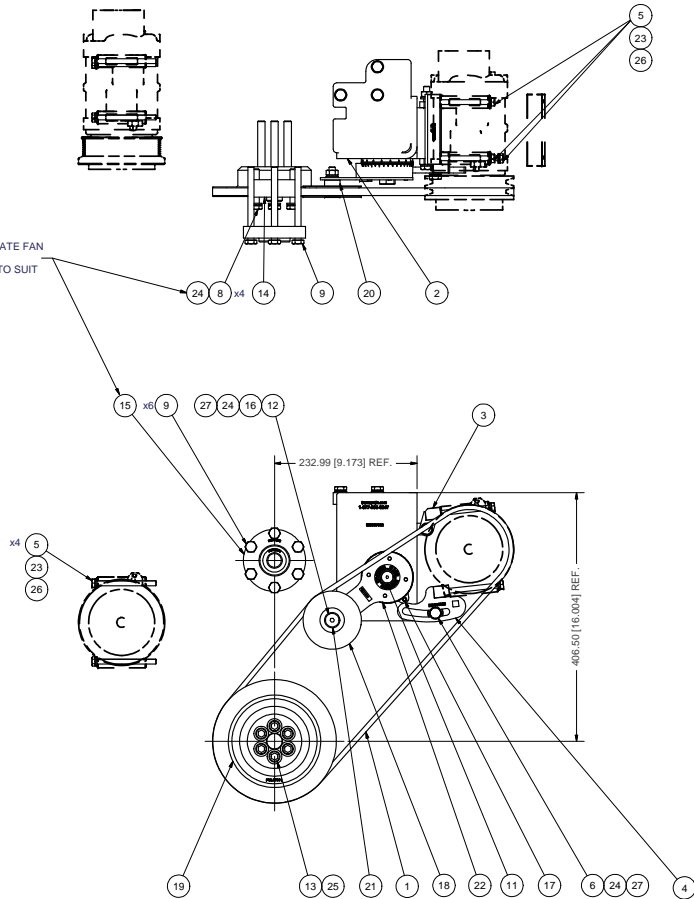
1) Also required..... (1) TMP00020 _drill template & (1) BTP06075 _3/8-16unc x 3/4" lg. bolt & (1) 31/64" (.484") drill bit.

*** ONLY FOR A "STAND ALONE" RETROFIT KIT. **** (not to be included when sold along with the KMC62676 mount kit.)

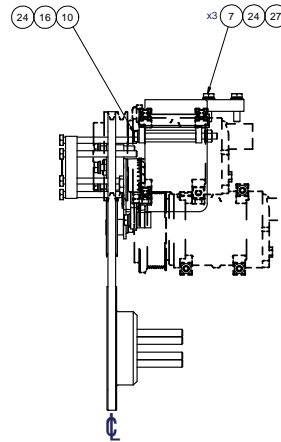


0.50" to CTL.

NOTE:
USE APPROPRIATE FAN
SPACER
& FASTENERS TO SUIT
INSTALLATION.



ISOMETRIC VIEW



ITEM	QTY	U/M	PART NUMBER	DESCRIPTION
27	10	EACH	WLA10000	WASHER, LOCK, 10mm, 8.8, PLT
26	7	EACH	WLA08000	WASHER, LOCK, 8mm, 8.8, PLT
25	6	EACH	WFS12002	WASHER, FLAT, HDN, 12mm, STL, BLK
24	11	EACH	WFA10000	WASHER, FLAT, 10mm, 8.8, PLT
23	7	EACH	WFA08000	WASHER, FLAT, 8mm, 8.8, PLT
22	1	EACH	TEN00002	TENR, SPRING, UN-DIRECT, 90D, 3/8 X 3.5"
21	1	EACH	SLV17040	SLEEVE, PULLEY, 16.90 x 14.29mm x 10.08l
20	1	EACH	SCD12710	SPACER, COL, DR, 12.7mm x 25.40 x 10.32l
19	1	EACH	PUL67001	PULLEY, CRANK, ADD-ON, CUM, ISB, 6.7, SA
18	1	EACH	PUL10094	PULLEY, IDLER, SA 94D X 18W, BLK (IP-103)
17	1	EACH	PNS04010	PIN, SPRING, 1/4" D x 5/8" L
16	2	EACH	NTA10000	NUT, HEX, 10 x 1.5, 8.8, PLT
15	1	EACH	FSP61905	SPACER, FAN, PULLEY, ISB, 19.05mm (L 75")
14	1	EACH	FSP59286	SPACER, FAN, PULLEY, ISC, 28.6mm (L 113")
13	6	EACH	CSS12090	CAPSCREW, SH, 12 x 1.25 x 90mm, 12.9, PLT
12	1	EACH	CSF10051	CAPSCREW, FH, 10 x 1.5 x 50mm, 10.9, PLT
11	1	EACH	CSF06250	CAPSCREW, FH, 3/8-16 x 2.5", 9, PLT
10	1	EACH	BTC10130	BOLT, HEX, 10 x 1.5 x 130mm, 10.9, PLT
9	6	EACH	BTC10120	BOLT, HEX, 10 x 1.5 x 120mm, 10.9, PLT
8	4	EACH	BTC10060	BOLT, HEX, 10 x 1.5 x 60mm, 10.9, PLT
7	3	EACH	BTC10040	BOLT, HEX, 10 x 1.5 x 40mm, 10.9, PLT
6	1	EACH	BTC10035	BOLT, HEX, 10 x 1.5 x 35mm, 10.9, PLT
5	7	EACH	BTC08100	BOLT, HEX, 8 x 1.25 x 100mm, 10.9, PLT
4	1	EACH	BMC67023	BKT, LOWER, WELDMT, D/S, ISB, TM-21
3	1	EACH	BMC67022	BKT, UPPER, WELDMT, D/S, ISB, TM-21
2	1	EACH	BMC67012	BKT, MAIN, WELDMT, D-S, 6.7L ISB, C2
1	1	EACH	BEL11473	Belt, A gr, 1473mm (58") (17580)

BILL OF MATERIALS
DRAWN: Jose Rodriguez 7/30/2008
CHECKED: Val Jukowlew 7/30/2008
TITLE: **TRANSARGTIC INC.**

DATE: 7/29/2008
BY: James Stewart
APPROVED: Ron Ingram 7/30/2008
DATE: 7/30/2008
Mfr: Dale Mason

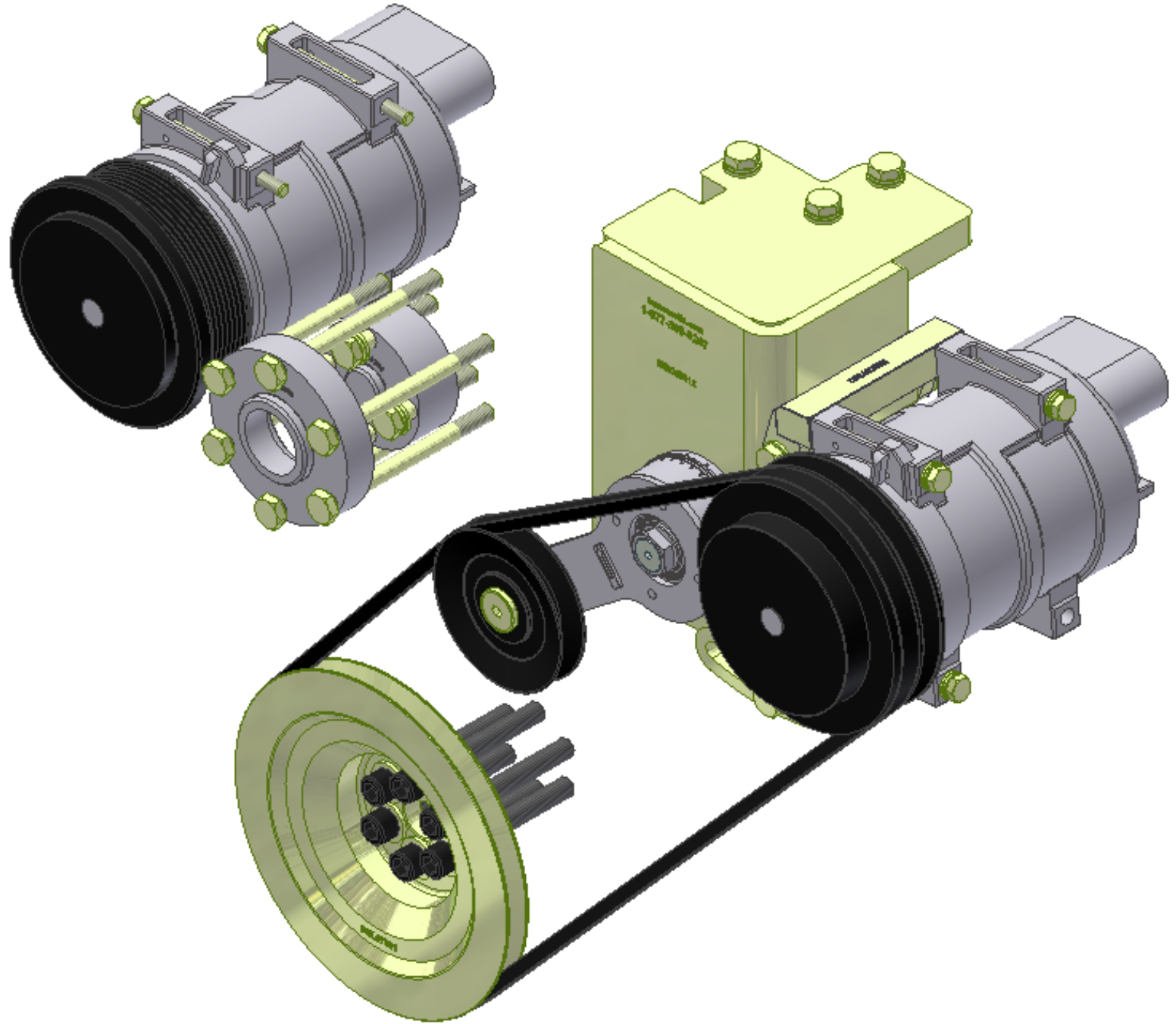
Mt Kit, ISB, 6.7L, C2, 2 TM-21, '07-'10
SIZE: D
DWG NO: KMC62676
SCALE: 1:4
REV: 1
SHEET 1 OF 1

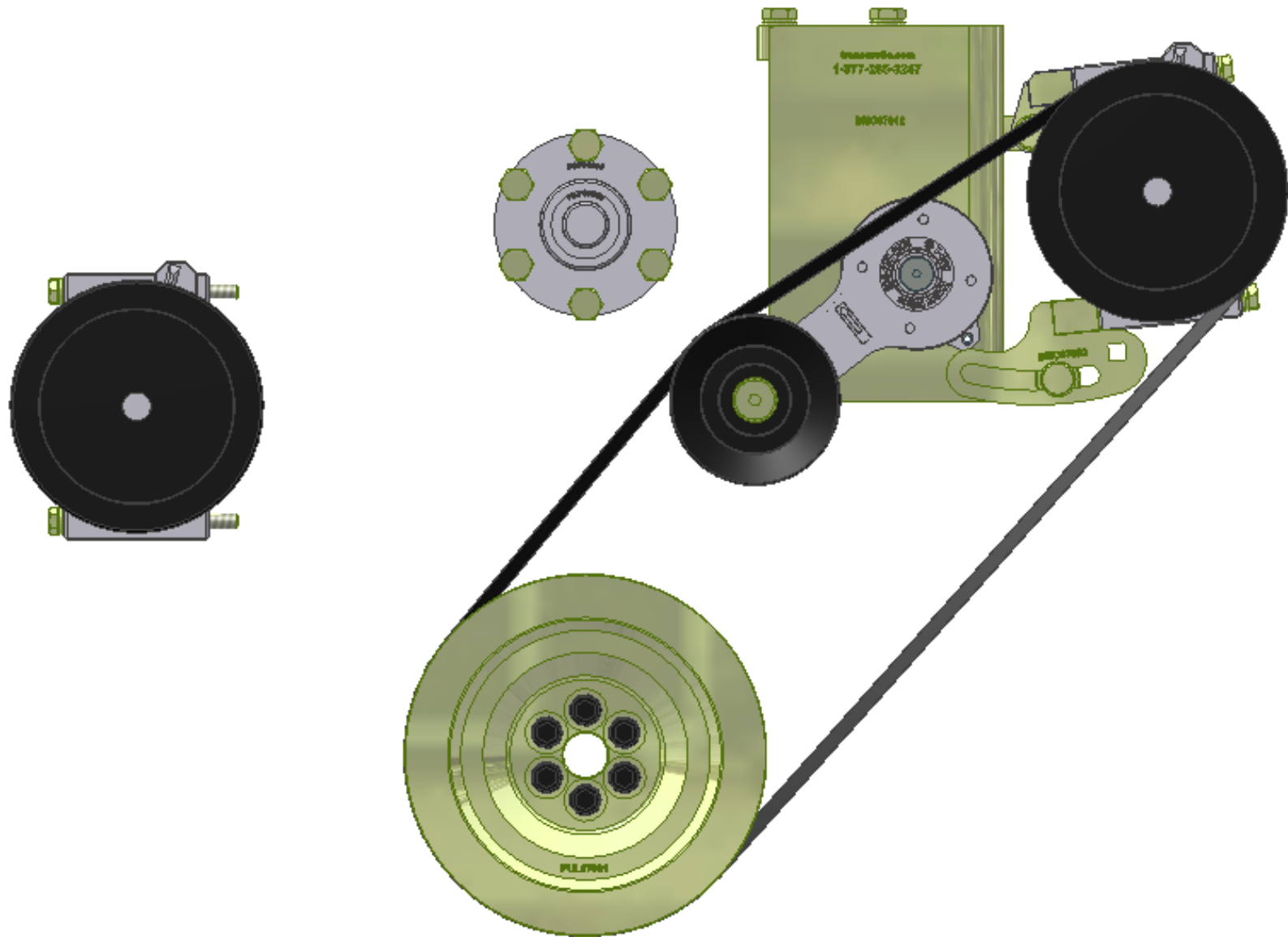
NOTES:
1) USE SERVICABLE THREADLOCKER ON ALL FASTENERS TO ENGINE COMPONENTS AND TORQUE ALL BOLTS TO S.A.E. SPECIFICATIONS.
2) SEE 'TRANSARGTIC A/C COMPRESSOR MOUNT INSTALLATION DISCLAIMER'.

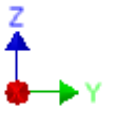
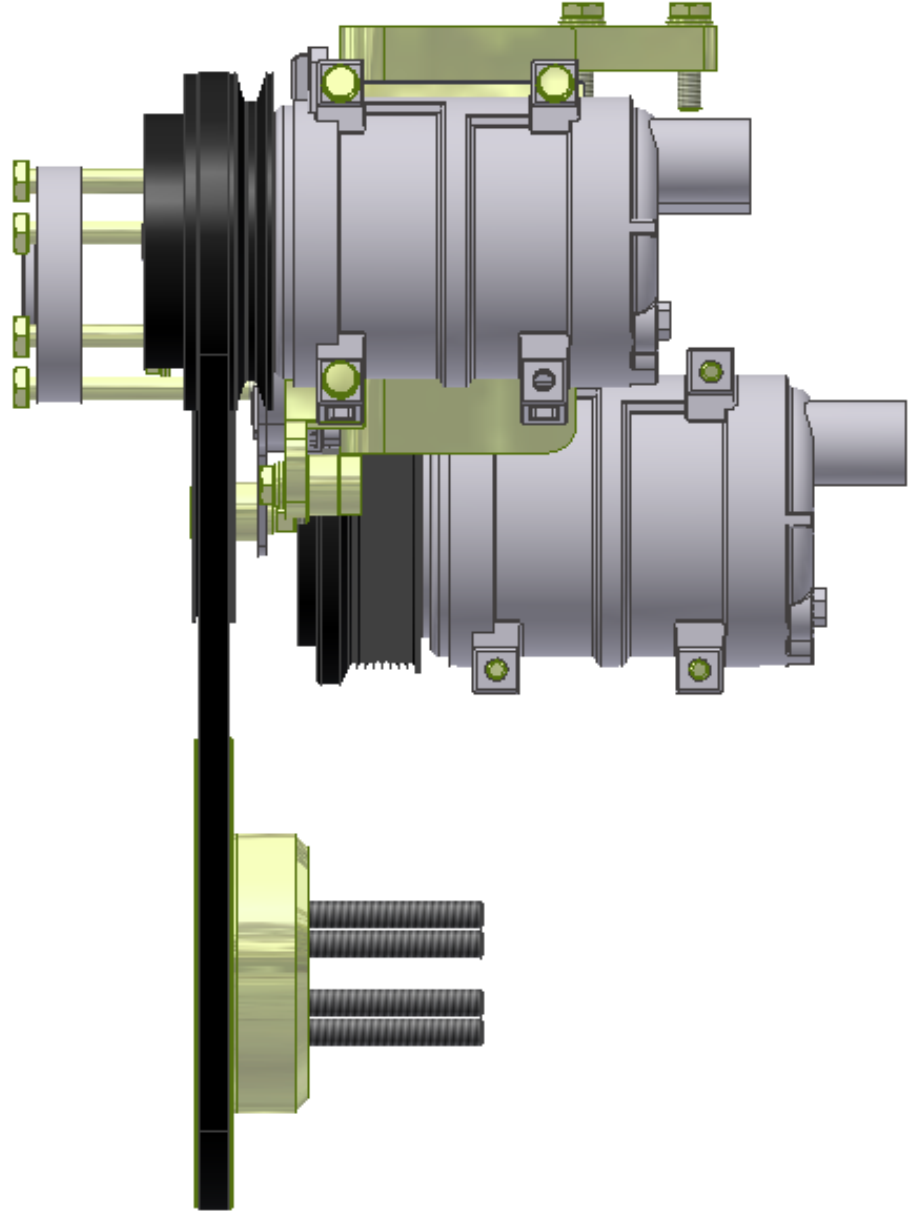
1	CORRECTED INFO IN BOM+ TB	8/8/2011	VAL J
2	RELEASED TO PRODUCTION	7/29/2008	GA
REV	DESCRIPTION	DATE	BY
1	THIS DRAWING CONTAINS PROPRIETARY CONFIDENTIAL INFORMATION OWNED BY TRANSARGTIC CANADA INC. THE DOCUMENT AND THE INFORMATION IT IS NOT TO BE USED, DISCLOSED OR REPRODUCED WITHOUT EXPRESS WRITTEN PERMISSION OF THE COMPANY.		
UNSPECIFIED TOLERANCES:		MM (INCH)	
ONE DECIMAL PLACE (X.0)	0.05 (0.002)		
TWO DECIMAL PLACE (X.00)	0.02 (0.0008)		
THREE DECIMAL PLACE (X.000)	0.01 (0.0004)		
FRACTIONAL (1/16")	ANGULAR ± 30'		

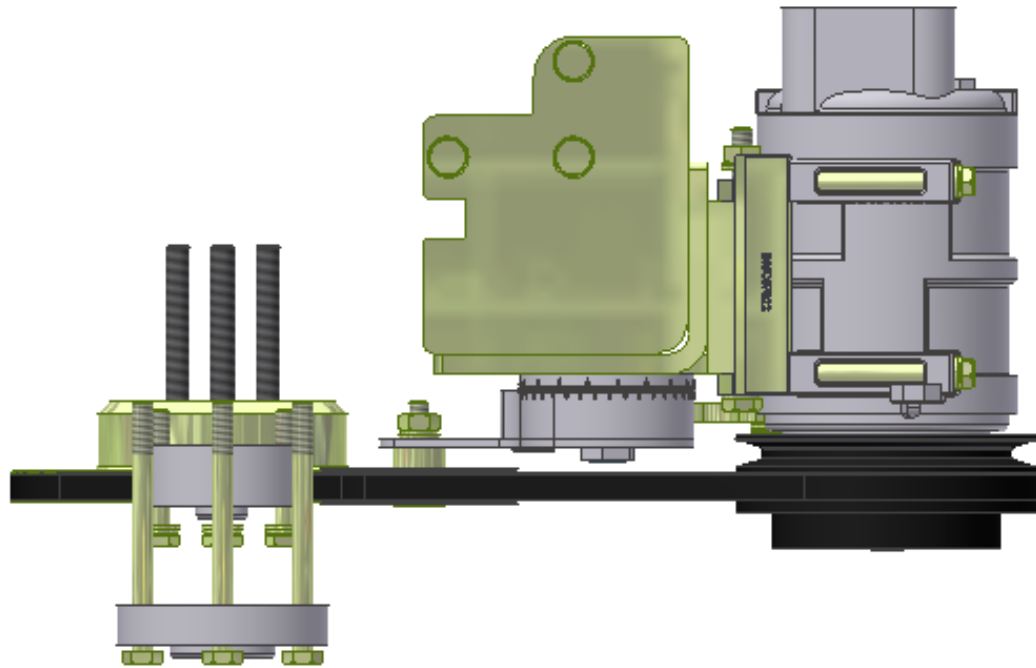
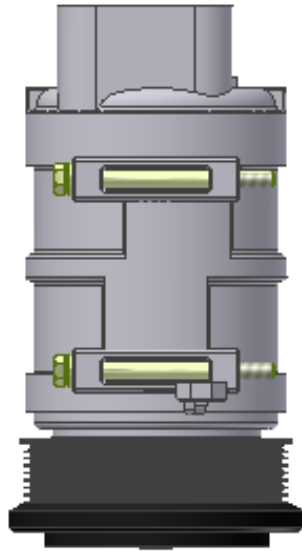


THIRD ANGLE PROJECTION
DRAWING UNIT OF MEASURE: MM (INCH)









TransArctic A/C Compressor Mount Installation Disclaimer

All compressor mounts should be installed by qualified and trained personnel using proper tools and equipment in safe working conditions following industry standard guidelines for motor vehicle service and repair.

The installer of any compressor mount purchased from TransArctic must undertake all responsibility of issues arising from that compressor bracket being installed on any vehicle. As well as insure that a **proper and sufficient ground** is established between the compressors' clutches and the vehicle's engine. Mount functionality, operation and durability can all be compromised by an incompetent installation.

Due to the many different situations, parameters and application criteria, which are beyond the compressor mount manufacturer's control, TransArctic does not warrant design, durability, or operational functionality of any compressor mount improperly installed by another party.

With no implied guarantees it is the mount installer's strict responsibility to determine safety and functionality, of the compressor mount, at the time of installation.

Please contact TransArctic with any issue arising from installation so we may better improve the product. If you have any reservations about the compressor mount integrity contact TransArctic immediately at 1-877-COLD-AIR.

Mark OEM tensioner location

Install Kit

Check for Interferences

Check to ensure that the proper OEM tensioner orientation is maintained

Run engine with A/C system engaged for at least 10 minutes to run in belt

Check OEM tensioner orientation and adjust as required

Responsabilidad limitada de TransArctic en la instalación del soporte del compresor

Todos los soportes de los compresores deben ser instalados por personas calificadas y entrenadas, usando para ello los equipos y herramientas necesarios para esta labor en buenas condiciones y según las normas y guías para el servicio y/o reparación de motores de vehículos.

El instalador de los soportes comprados en TransArctic asume toda la responsabilidad de cualquier problema que surga en el soporte del compresor al vehículo; de igual manera es responsable que el cable a tierra sea conectado entre el embrague del compresor y el motor del vehículo.

Se advierte que el buen funcionamiento y la durabilidad del soporte pueden ser comprometidos por defectos en su instalación.

Debido a las diversas situaciones que se puedan presentar fuera del control del fabricante, TransArctic no garantiza el diseño, la durabilidad o el correcto funcionamiento de cualquier equipo inapropiadamente instalado por terceros.

Esta sobreentendido que el Instalador del montaje del compresor es estrictamente responsable de la seguridad y funcionamiento del equipo en el momento de la instalación.

Si tuviera algún problema o duda acerca de la instalación del soporte del compresor pongase en contacto inmediatamente con TransArctic al teléfono 1-877-COLD-AIR de modo que podamos mejorar nuestro producto.

Note la ubicación del medidor de tensión OEM

Instale el equipo

Controlar si hay interferencias.

Asegurese que el medidor de tensión mantenga la orientación justa.

Encienda el motor por lo menos 10 minutos con el sistema A/C enganchado para que la correa corra

Controle la orientación justa del medidor de tensión y ajuste a las condiciones requeridas del fabricante