

Bill of Materials Listing

TransArctic Canada Inc.

3/19/2009
Page 1 of 1

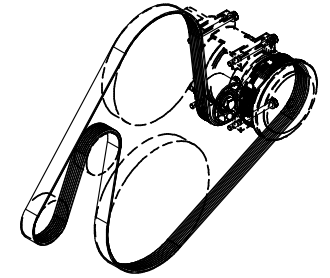
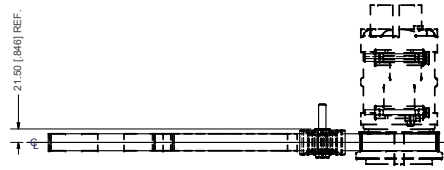
Product Number	Description	Date	Weight	Uof M	Yield
Line Component Prod#	Description	Bin Unit	Qty		
KMM61303	Mt Kit, 7.2L MBE926, C2, TM-21, OEM, '07		2/22/2007	2.34	0
10	BEL82134		Belt, 8gr, 2134mm (84") (5080840)	each	1
30	PUL80076		Pulley, Idler, Backside, P8, 76d (89062)	each	1
60	SCD09512		Spacer, Col, Drl, 9.53mm x 25.4o x12.32i	each	1
70	SLV17012		Sleeve, Pulley, 16.9o x 22.23mm x 12.32i	each	1
75	FTS10198		Fitting, Manifold, GMpadMount, VOR, dwn, MIO	each	1
80	KBM61303		Bag Kit, Fasteners, KMM61303/KMM61003	each	1

Bill of Materials Listing

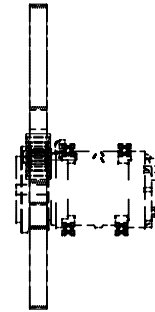
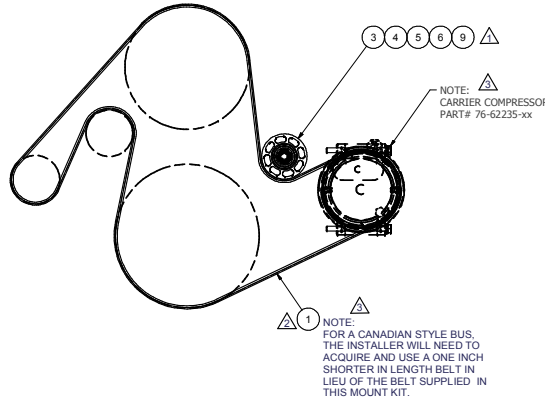
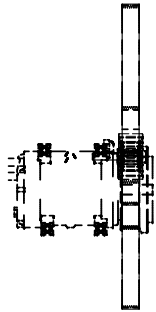
TransArctic Canada Inc.

3/19/2009
Page 1 of 1

Product Number	Description	Date	Weight	Uof M	Yield
Line Component Prod#	Description	Bin Unit	Qty		
KBM61303	Bag Kit, Fasteners, KMM61303/KMM61003	2/26/2007	0.54		0
10	BTC12080	Bolt, Hex, 12 x 1.75 x 80mm, 10.9,Plt,FT	each	1	
20	BTC08100	Bolt, Hex, 8 x 1.25 x 100mm, 10.9, Plt	each	4	
30	WFA08000	Washer, Flat, 8mm, 8.8, Plt	each	4	
40	WLA08000	Washer, Lock, 8mm, 8.8, Plt	each	4	
50	WLA12000	Washer, Lock, 12mm, 8.8, Plt	each	1	



ISOMETRIC VIEW



- NOTES:
- 1) USE SERVICABLE THREADLOCKER ON ALL FASTENERS TO ENGINE COMPONENTS AND TORQUE ALL BOLTS TO S.A.E. SPECIFICATIONS.
 - 2) SEE "TRANSARCTIC A/C COMPRESSOR MOUNT INSTALLATION DISCLAIMER".

ITEM	QTY	U/M	PART NUMBER	DESCRIPTION
9	1	EACH	WLA12000	WASHER, LOCK, 12mm, 8.8, PLT
8	4	EACH	WLA08000	WASHER, LOCK, 8mm, 8.8, PLT
7	4	EACH	WFA08000	WASHER, FLAT, 8mm, 8.8, PLT
6	1	EACH	SLV17012	SLEEVE, PULLEY, 16.9x 22.23 mm x12.19
5	1	EACH	SCD09512	SPACER, COL, DRL, 9.53mm x 25.4x 12.32
4	1	EACH	PUL80076	PULLEY, IDLER, BACKSIDE, P8, 76D, 39W
3	1	EACH	BTC12080	BOLT, HEX, 12 x 1.75 x 80mm, 10.9, PLT, FT
2	4	EACH	BTC08100	BOLT, HEX, 8 x 1.25 x 100mm, 10.9, PLT
1	1	EACH	BEL82134	BELT, 8 GR, 2134mm (84") (5080840)

BILL OF MATERIAL

REV	ECN	DESCRIPTION	DATE	BY	VAL
3		BELT WAS BELT808	11/10/2007	VAL	
2		BELT CHANGED FROM 63.5"	3/25/2007	BRAD	
1		SCD09512 ADDED	6/14/2007	BRAD	
0		RELEASED TO PRODUCTION	4/17/2007	VAL	

THIS DRAWING CONTAINS PROPRIETARY CONFIDENTIAL INFORMATION OWNED BY TRANSARCTIC CANADA INC. THE DOCUMENT AND THE INFORMATION IN IT ARE NOT TO BE USED, DISCLOSED OR REPRODUCED WITHOUT EXPRESS WRITTEN PERMISSION OF THE COMPANY.

UNSPECIFIED TOLERANCES: (ALL DIM) GROUP ONE DECIMAL PLACE (10) .05 (10) TWO DECIMAL PLACE (20) .01 (20) FRACTIONAL: 1/32 (32) 3/64 (48) 1/16 (96) 1/8 (192)

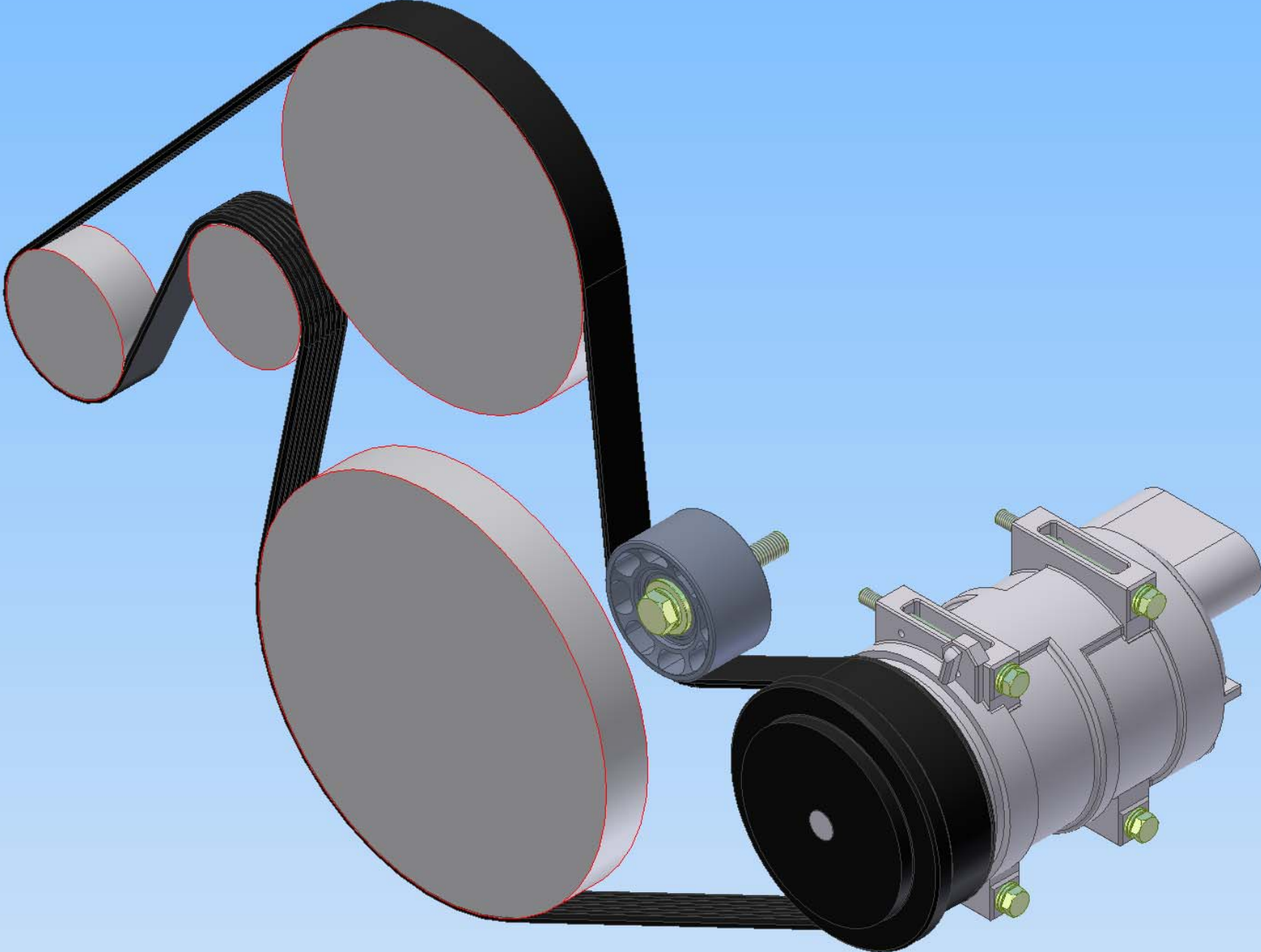
DRAWN: HSKowiew
 CHECKED: 4/17/2007
 James Stewart
 4/17/2007
 James Stewart
 4/17/2007
 Ron Ingram
 4/17/2007
 Dale Mason
 4/17/2007

TRANSARCTIC INC.

TITLE: MT KIT, 7.2L MBE926, C2, TM-21, OEM, '07

SIZE: DWG NO: KMM61303 REV: 3

DWG UNIT OF MEASURE: MM (INCH) SCALE: 1:4 SHEET 1 OF 1



TransArctic A/C Compressor Mount Installation Disclaimer

All compressor mounts should be installed by qualified and trained personnel using proper tools and equipment in safe working conditions following industry standard guidelines for motor vehicle service and repair.

The installer of any compressor mount purchased from TransArctic must undertake all responsibility of issues arising from that compressor bracket being installed on any vehicle. As well as insure that a **proper and sufficient ground** is established between the compressors' clutches and the vehicle's engine. Mount functionality, operation and durability can all be compromised by an incompetent installation.

Due to the many different situations, parameters and application criteria, which are beyond the compressor mount manufacturer's control, TransArctic does not warrant design, durability, or operational functionality of any compressor mount improperly installed by another party.

With no implied guarantees it is the mount installer's strict responsibility to determine safety and functionality, of the compressor mount, at the time of installation.

Please contact TransArctic with any issue arising from installation so we may better improve the product. If you have any reservations about the compressor mount integrity contact TransArctic immediately at 1-877-COLD-AIR.