

Bill of Materials Listing

TransArctic Canada Inc.

3/5/2007
Page 1 of 1

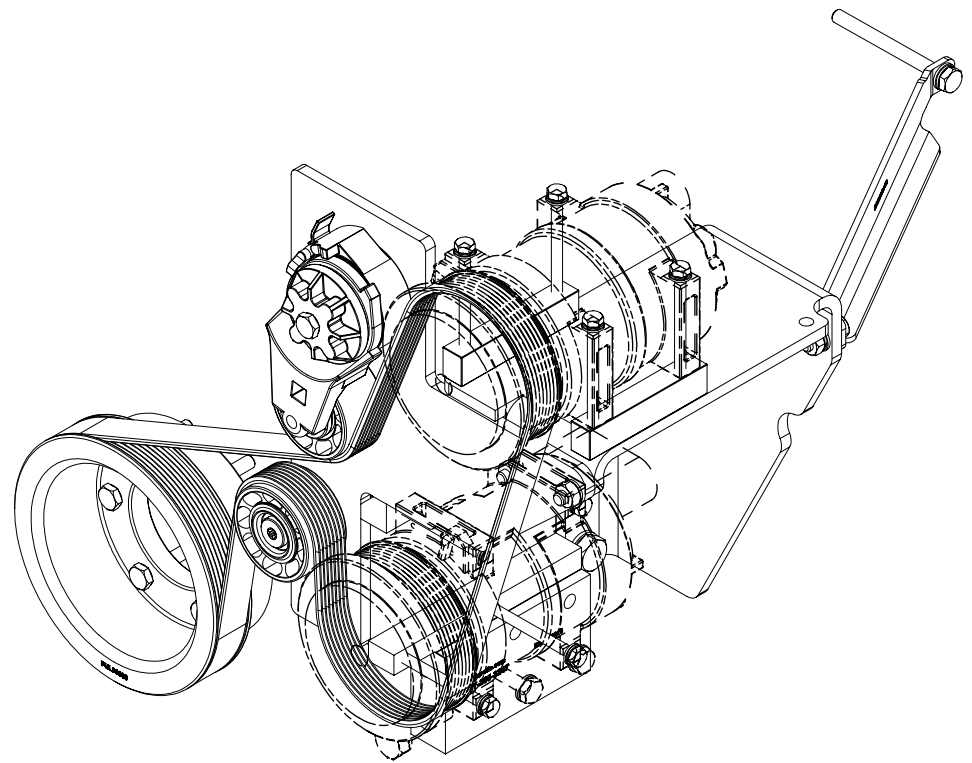
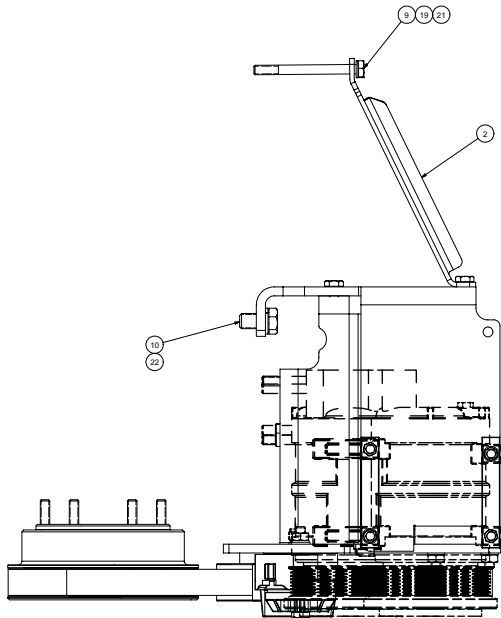
Product Number		Description	Bin	Date	Weight	Uof M	Yield
Line	Component Prod#	Description		Unit	Qty		
KMM62690		Mt Kit, MBE906, HDX ER, 2 TM-21, P8		12/14/2004	59.60		0
10	BEL81829	Belt, 8gr, 1829mm (72") (5080720)		each	1		
20	BMM62610	Bkt, Front, Assy, Block, S/Pins, ER		each	1		
30	BMM62611	Bkt, Rear, Weldmt, Block, MBE906, P8, ER		each	1		
40	BMM62608	Bkt, Brace, Diag, RR, Sup, MBE906, P8		each	1		
50	PUL90008	Pulley, Crank, MBE906, P8, 8" dia		each	1		
60	PUL80076	Pulley, Idler, Backside, P8, 76d (89062)		each	1		
65	TEN80002	Tenr, HD Spring, BackSide, CCW (89200A)		each	1		
70	HOR02000	Hose, Heater, 2" ID, 36"		feet	1.00		
110	CLP20040	Clamp, "P" type, #40, 1/2"w, 2 1/2", PC		each	3		
130	KBM62690	Bag Kit, Fasteners, KMM62690/KMM61990		each	1		

Bill of Materials Listing

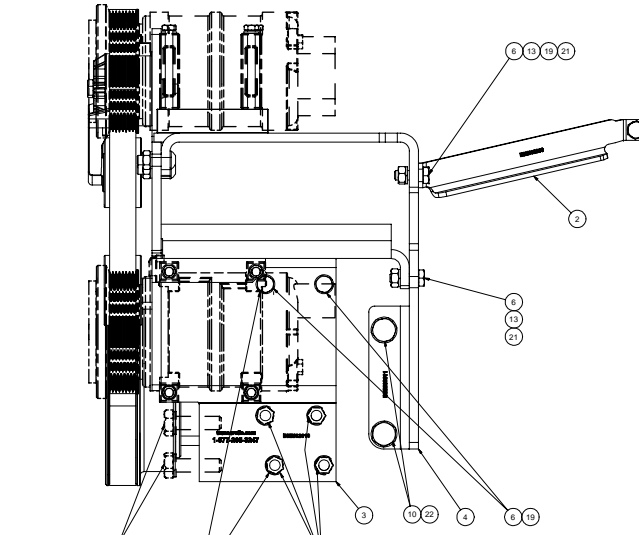
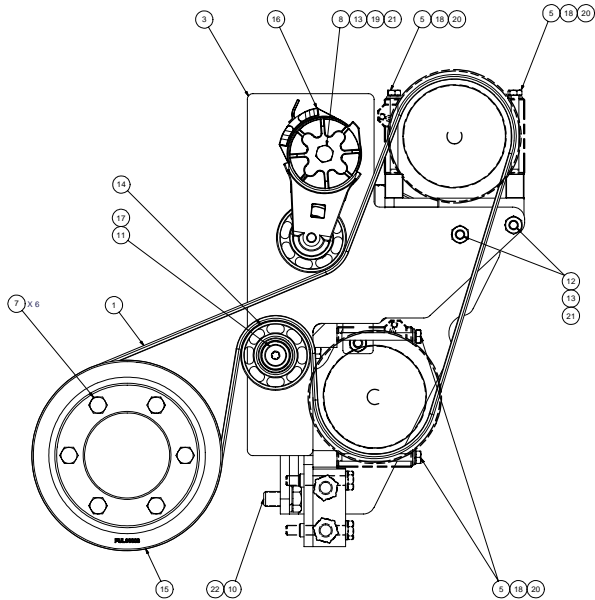
TransArctic Canada Inc.

9/7/2006
Page 1 of 1

Product Number		Description	Bin	Date	Weight	Uof M	Yield
Line	Component Prod#	Description		Unit	Qty		
KBM62690		Bag Kit, Fasteners, KMM62690/KMM61990		12/14/2004	2.33		0
10	BTS10001	Bolt, Shoulder, 10mm (89064)		each	1		
20	BTC16031	Bolt, Hex, 16 x 1.5 x 30mm, 10.9, Plt		each	2		
40	BTC10110	Bolt, Hex, 10 x 1.5 x 110mm, 10.9, Plt		each	1		
50	BTC10045	Bolt, Hex, 10 x 1.5 x 45mm, 10.9, Plt		each	6		
60	BTC10030	Bolt, Hex, 10 x 1.5 x 30mm, 10.9, Plt		each	4		
70	BTC08100	Bolt, Hex, 8 x 1.25 x 100mm, 10.9, Plt		each	8		
80	BTC10090	Bolt, Hex, 10 x 1.5 x 90mm, 10.9, Plt		each	1		
90	CSB10035	Capscrew, BH, 10 x 1.5 x 35, 10.9, Plt		each	2		
100	NTA10000	Nut, Hex, 10 x 1.5, 8.8, Plt		each	5		
110	WDS17001	Washer, Dust Cover (89060)		each	1		
120	WFA10000	Washer, Flat, 10mm, 8.8, Plt		each	5		
130	WFA08000	Washer, Flat, 8mm, 8.8, Plt		each	8		
140	WLA16000	Washer, Lock, 16mm, 8.8, Plt		each	2		
150	WLA10000	Washer, Lock, 10mm, 8.8, Plt		each	6		
160	WLA08000	Washer, Lock, 8mm, 8.8, Plt		each	8		



ISOMETRIC VIEW



(2) M14 BOLT & WASHER (ENGINE TAKE-OFF)

Δ (2) SPRING PINS TRANSFERED FROM EXISTING ENGINE MOUNT CASTING. (PRIOR TO INSTALLING ITEM# 3).

(4) M10 BOLT & WASHER (ENGINE TAKE-OFF)

NOTES:
 1) TOTAL WT= 60.27 LBS.
 2) ITEMS THAT ARE ENGINE TAKE-OFF PART.
 3) EXISTING (2) SPRING PINS FROM EXISTING ENGINE MOUNT CASTING ARE TO BE TRANSFERRED TO ITEM# 3.

ITEM	QTY	UOM	PART NUMBER	DESCRIPTION
22	2	EACH	WLA10000	WASHER, LOCK, 10mm, 8.8, PLT
21	6	EACH	WLA10000	WASHER, LOCK, 10mm, 8.8, PLT
20	8	EACH	WLA80000	WASHER, LOCK, 8mm, 8.8, PLT
19	5	EACH	WFA10000	WASHER, FLAT, 10mm, 8.8, PLT
18	8	EACH	WFA80000	WASHER, FLAT, 8mm, 8.8, PLT
17	1	EACH	WDS17001	WASHER, DUST COVER (PUL#80076)
16	1	EACH	TEN80002	TENK, HD SPRING, BACKSIDE, CCW
15	1	EACH	PUL30008	PULLEY, CRANK, MBE906, P8, 4" Dia
14	1	EACH	PUL80076	PULLEY, IDLER, BACKSIDE, P8, 765, 35W
13	5	EACH	NTA10000	NTT, HEX, 10 x 1.5, 8.8, PLT
12	2	EACH	CSB10005	CARGE, REV, 8H, 10 x 1.5 x 35, 10.9, PLT
11	1	EACH	BTS10001	BOLT, SHOULDER, 10mm (IDLER PULLEY)
10	2	EACH	BTC16031	BOLT, HEX, 16 x 1.5 x 30mm, 10.9, PLT
9	1	EACH	BTC10110	BOLT, HEX, 10 x 1.5 x 10mm, 10.9, PLT
8	1	EACH	BTC10090	BOLT, HEX, 10 x 1.5 x 90mm, 10.9, PLT
7	6	EACH	BTC10045	BOLT, HEX, 10 x 1.5 x 45mm, 10.9, PLT
6	4	EACH	BTC10030	BOLT, HEX, 10 x 1.5 x 30mm, 10.9, PLT
5	8	EACH	BTC08100	BOLT, HEX, 8 x 1.25 x 100mm, 10.9, PLT
4	1	EACH	BMM82811	BKT, REAR, WELDMT, BLOCKS, MBE906, P8
3	1	EACH	BMM82810	BKT, FRONT, ASSY, BLOCK, SPRING
2	1	EACH	BMM82608	BKT, BRACE, DIAG, RR, SUP, MBE906, P8
1	1	EACH	BEL81829	BELT, 8 GR, 1829mm (72") (50800720)

BILL OF MATERIALS			
REV	DATE	BY	DESCRIPTION
01	10/27/2004	James Stewart	Mt Kit, 6.4L MBE906, HDX ER, 2 TM-21, P8
02	10/27/2004	James Stewart	
03	10/27/2004	Date Mason	

TRANSARCTIC INC.
 DWG NO: KMM62690
 SHEET 1 OF 1

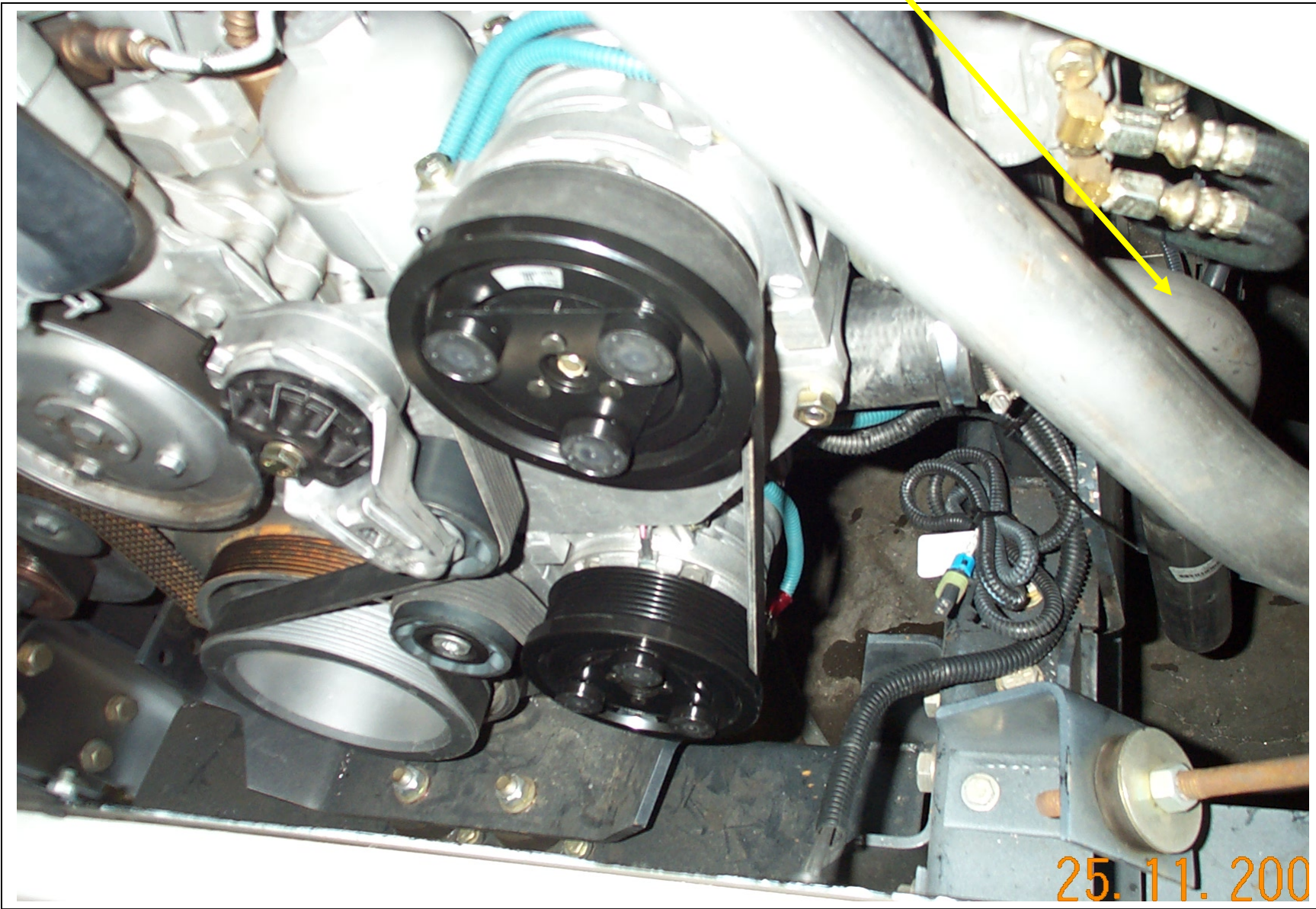
REV	DATE	BY	DESCRIPTION
01	10/27/2004	James Stewart	
02	10/27/2004	James Stewart	
03	10/27/2004	Date Mason	

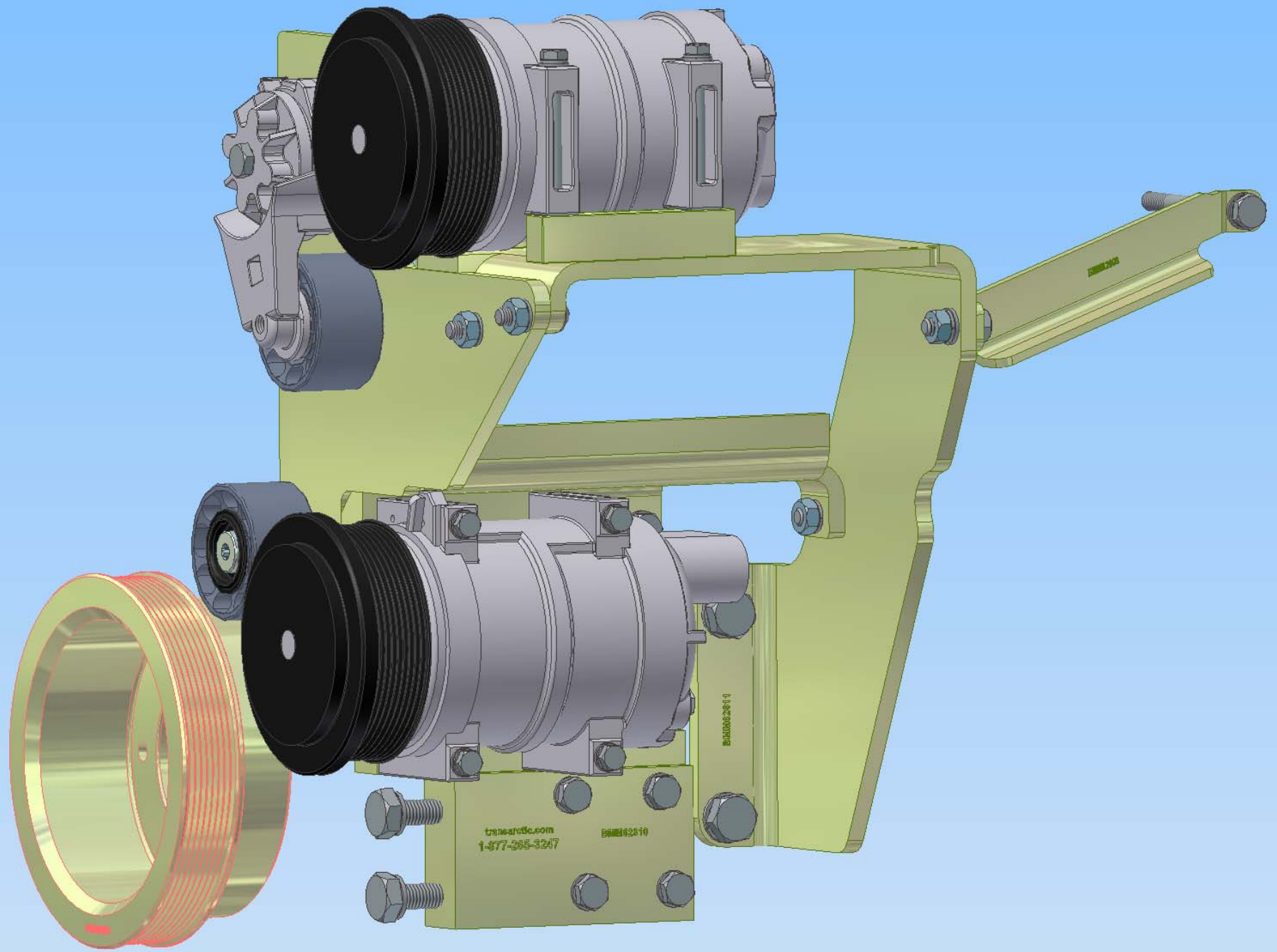
UNFINISHED DIMENSIONS: DIMENSIONS SHOWN ARE UNLESS OTHERWISE SPECIFIED.
 DIMENSIONS ARE TO CENTER UNLESS OTHERWISE SPECIFIED.
 DIMENSIONS ARE TO CENTER UNLESS OTHERWISE SPECIFIED.



THIRD ANGLE PROJECTION

Move Rad Hose to outside of Frame Rail before installing mount.





TransArctic A/C Compressor Mount Installation Disclaimer

All compressor mounts should be installed by qualified and trained personnel using proper tools and equipment in safe working conditions following industry standard guidelines for motor vehicle service and repair.

The installer of any compressor mount purchased from TransArctic must undertake all responsibility of issues arising from that compressor bracket being installed on any vehicle. As well as insure that a **proper and sufficient ground** is established between the compressors' clutches and the vehicle's engine. Mount functionality, operation and durability can all be compromised by an incompetent installation.

Due to the many different situations, parameters and application criteria, which are beyond the compressor mount manufacturer's control, TransArctic does not warrant design, durability, or operational functionality of any compressor mount improperly installed by another party.

With no implied guarantees it is the mount installer's strict responsibility to determine safety and functionality, of the compressor mount, at the time of installation.

Please contact TransArctic with any issue arising from installation so we may better improve the product. If you have any reservations about the compressor mount integrity contact TransArctic immediately at 1-877-COLD-AIR.