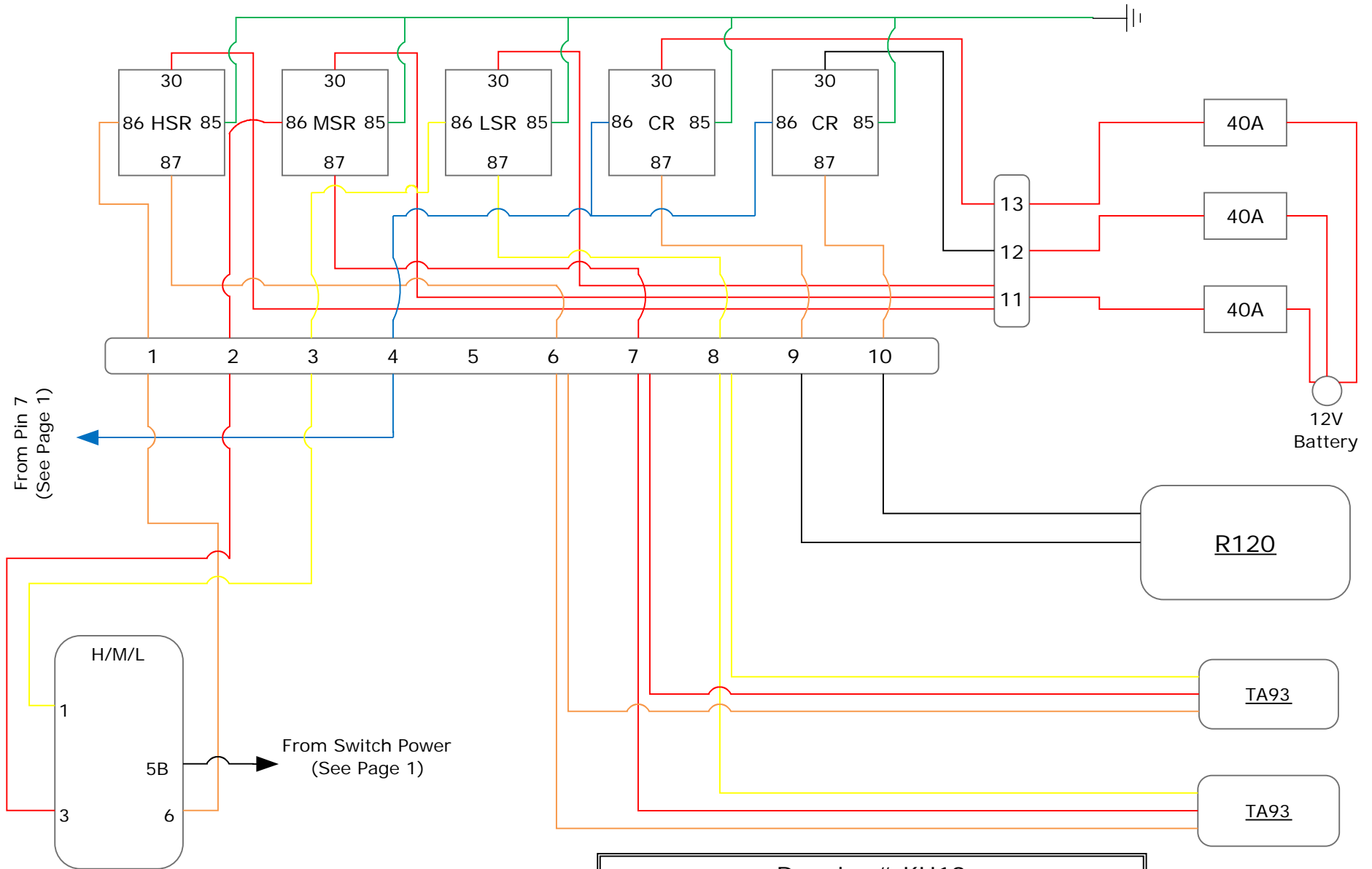


Drawing# KH19
 TA77/R90 - TA93x2/R120 - Single Compressor
 Drafted By: Kevin Harris /TransArctic of Southern GA Inc
 28 Dec 2015
 Page 1 of 2



Drawing# KH19
TA77/R90 - TA93x2/R120 - Single Compressor
Drafted By: Kevin Harris / TransArctic of Southern GA Inc.
28 Dec 2015
Page 2 of 2