

Bill of Materials Listing

TransArctic Canada Inc.

5/8/2009
Page 1 of 1

Product Number	Description	Date	Weight	Uof M	Yield
Line Component Prod#	Description	Bin Unit	Qty		
KMN82673	Mt. Kit, MForce DT, CE300, 2 TM-21, 08		11.73		0
10	BEL02667				
	Belt, 10gr, 2667mm (105")			each	1
20	BMN80038				
	Bkt, Rad Hose, PMax DT, CE300			each	1
30	BMN80062				
	Bkt, Comp, Bar, Upper, CE300, '08			each	1
40	BMN80063				
	Bkt, Comp, Bar, Lower, CE300, '08			each	1
50	BMN80064				
	Bkt, Idler, Slot PL, Weldmnt, CE300, '08			each	1
60	PUL80074				
	Pulley, Idler, B/S, Wide, 76d (89102)			each	2
70	SCD14010				
	Spacer, Col, Drl, 14mm x25.4o x10.32i			each	1
80	SLV17010				
	Sleeve, Pulley, 16.9o x 22.23mm x 10.32i			each	1
90	SCD20010				
	Spacer, Col, Drl, 20mm x 33.34o x 10.32i			each	1
100	CLP20040				
	Clamp, "P" type, #40, 1/2"w, 2 1/2", PC			each	1
110	CLP36001				
	Clamp, Gear, #36,1 13/16-2 3/4 (46/70mm)			each	2
120	KBN82673				
	Bag Kit, Fasteners, KMN82673/2073			each	1

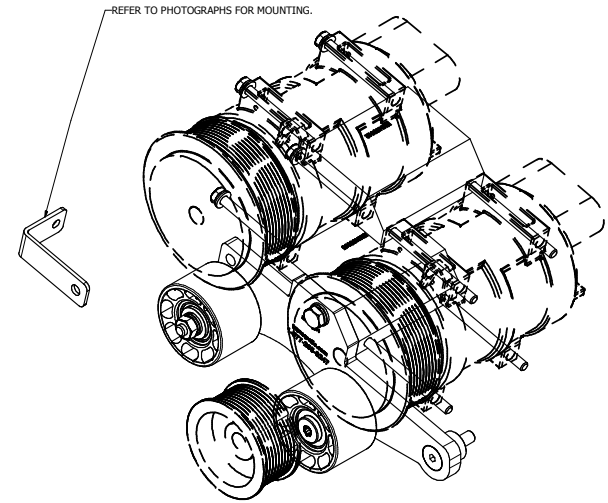
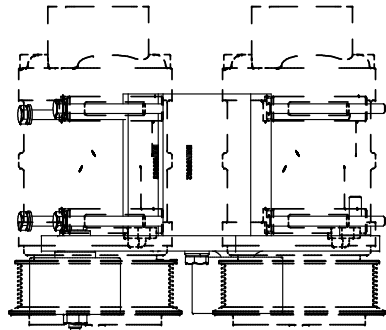
Bill of Materials Listing

TransArctic Canada Inc.

5/8/2009

Page 1 of 1

Product Number		Description	Bin	Date	Weight	Uof M	Yield
Line	Component Prod#	Description		Unit	Qty		
KBN82673		Bag Kit, Fasteners, KMN82673/2073		11/17/2008	1.36		0
10	CSF10046	Capscrew, FH, 10 x 1.5 x 45mm, 10.9,Plt		each	1		
20	BTS10001	Bolt, Shoulder, 10mm (89064)		each	1		
30	BTC10080	Bolt, Hex, 10 x 1.5 x 80mm, 10.9, Plt,FT		each	1		
40	BTC10040	Bolt, Hex, 10 x 1.5 x 40mm, 10.9, Plt,FT		each	1		
50	BTC08130	Bolt, Hex, 8 x 1.25 x 130mm, 10.9, Plt		each	4		
60	BTC08100	Bolt, Hex, 8 x 1.25 x 100mm, 10.9, Plt		each	4		
65	BTP04075	Bolt, Hex, 1/4-20unc, .75", 5, Plt		each	1		
70	NTA10000	Nut, Hex, 10 x 1.5, 8.8, Plt		each	1		
75	NTA08000	Nut, Hex, 8 x 1.25, 8.8, Plt		each	1		
78	NTP04000	Nut, Hex, 1/4-20unc, 5, Plt		each	1		
90	WFA10002	Washer, Flat, 10mm, Hvy, 8.8, Plt		each	1		
100	WFA10000	Washer, Flat, 10mm, 8.8, Plt		each	2		
110	WFA08000	Washer, Flat, 8mm, 8.8, Plt		each	8		
115	WFS04003	Washer, Flat, 1/4", 2, USS, Plt		each	1		
120	WLA10000	Washer, Lock, 10mm, 8.8, Plt		each	2		
130	WLA08000	Washer, Lock, 8mm, 8.8, Plt		each	9		

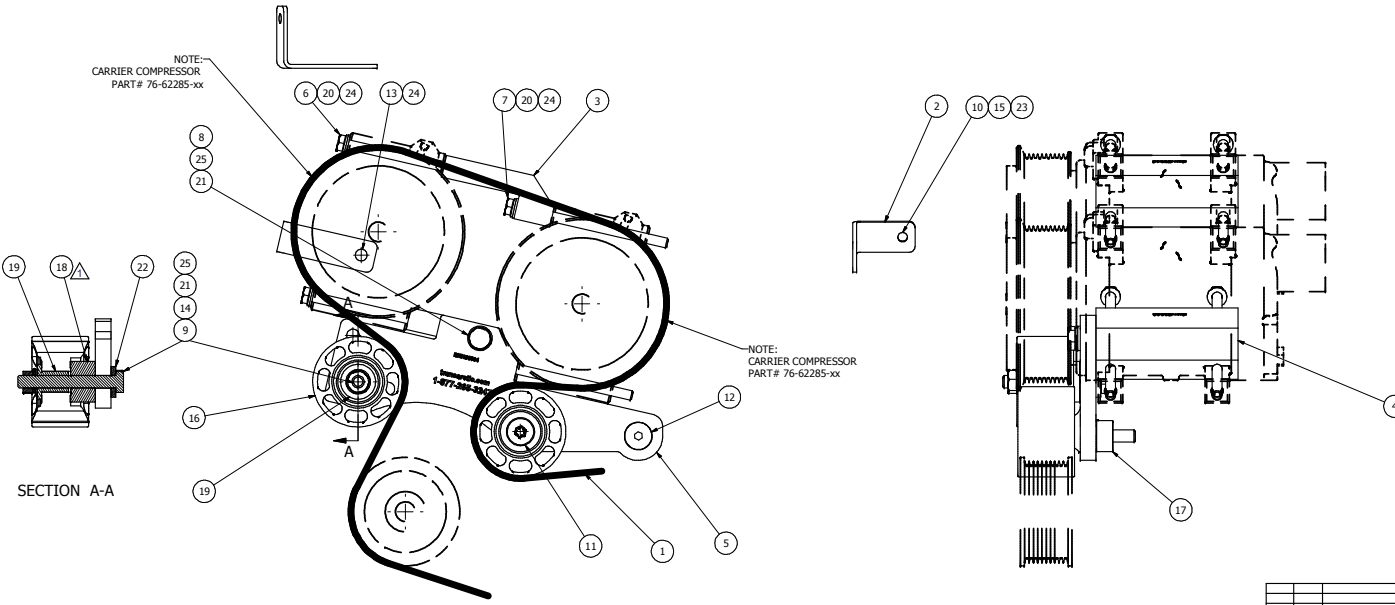


ISOMETRIC VIEW

- NOTES:**
- 1) USE SERVICABLE THREADLOCKER ON ALL FASTENERS TO ENGINE COMPONENTS AND TORQUE ALL BOLTS TO S.A.E. SPECIFICATIONS.
 - 2) SEE "TRANSARGTIC A/C COMPRESSOR MOUNT INSTALLATION DISCLAIMER".
 - 3) MODIFY EXISTING RADIATOR HOSE ON PASSENGER SIDE (TO CLEAR BELT.) BY REMOVING HOSE AND FLIPPING END FOR END AND THEN RE-INSTALL ON THE ENGINE. (USING NEW BRKT SUPPLIED.)

NOTE:
CARRIER COMPRESSOR
PART# 76-62285-xx

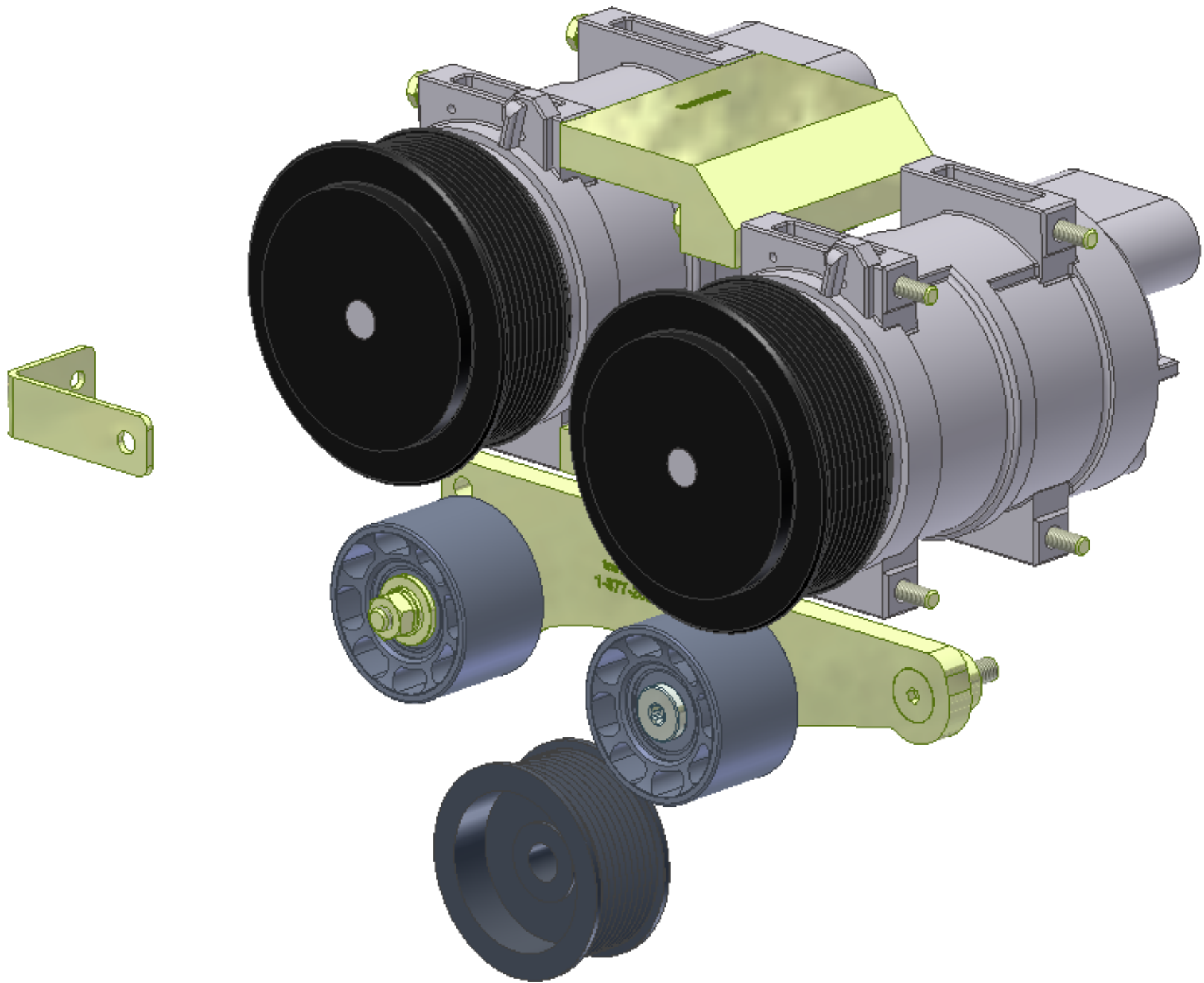
NOTE:
CARRIER COMPRESSOR
PART# 76-62285-xx

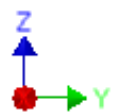
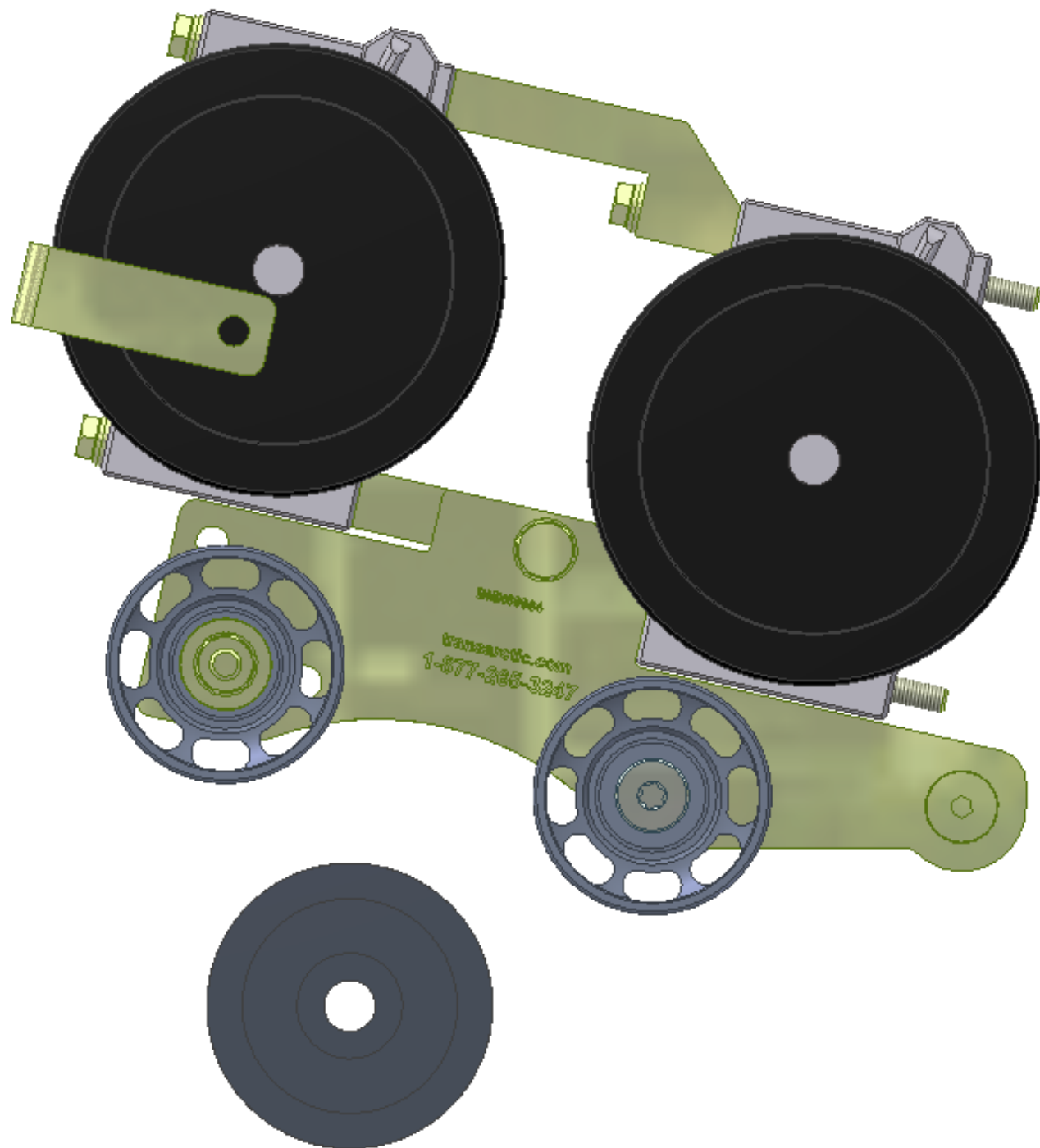


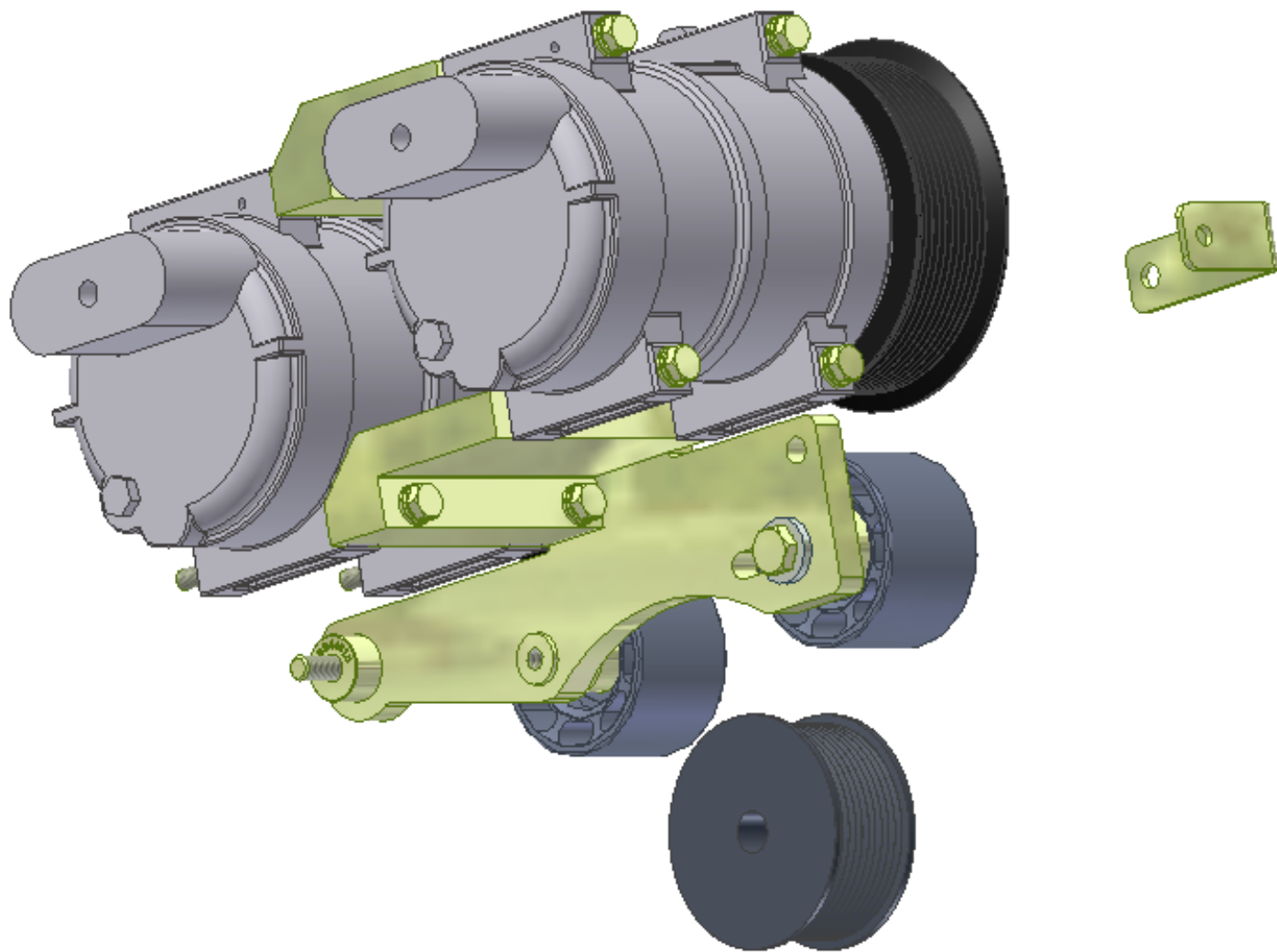
ITEM	QTY	U/M	PART NUMBER	DESCRIPTION
25	2	EACH	WLA10000	WASHER, LOCK, 10mm, 8.8, PLT
24	9	EACH	WLA08000	WASHER, LOCK, 8mm, 8.8, PLT
23	1	EACH	WFS04003	WASHER, FLAT, 1/4", 2, USS, PLT
22	1	EACH	WFA10002	WASHER, FLAT, 10mm, HWY, 8.8, PLT
21	2	EACH	WFA10000	WASHER, FLAT, 10mm, 8.8, PLT
20	8	EACH	WFA08000	WASHER, FLAT, 8mm, 8.8, PLT
19	1	EACH	SLV17010	SLEEVE, PULLEY, 16.9o x 22.23mm x 10.32i
18	1	EACH	SCD20010	SPACER, COL, 20mm x 33.34o x 10.32i
17	1	EACH	SCD14010	SPACER, COL, DRL, 14mm x 25.4o x 10.32i
16	2	EACH	PUL80074	PULLEY, IDLER, BACKSIDE, P8, 74D, 46.27W
15	1	EACH	NTP04000	NUT, HEX, 1/4-20UNC, 5, PLT
14	1	EACH	NTA10000	NUT, HEX, 10 x 1.5, 8.8, PLT
13	1	EACH	NTA08000	NUT, 8 x 1.25, 8.8, PLT
12	1	EACH	CSF10046	CAPSCREW, FH, 10 x 1.5 x 45mm, 10.9, PLT
11	1	EACH	BTS10001	BOLT, SHOULDER, 10mm (IDLER PULLEY)
10	1	EACH	BTP04075	BOLT, HEX, 1/4-20UNC, .75", 5, PLT
9	1	EACH	BTC10080	BOLT, HEX, 10 x 1.5 x 80mm, 10.9, PLT, FT
8	1	EACH	BTC10040	BOLT, HEX, 10 x 1.5 x 40mm, 10.9, PLT
7	4	EACH	BTC08130	BOLT, HEX, 8 x 1.25 x 130mm, 10.9, PLT
6	4	EACH	BTC08100	BOLT, HEX, 8 x 1.25 x 100mm, 10.9, PLT
5	1	EACH	BMN80064	BKT, IDLER, SLOT PL, WELDMNT, CE300, '08
4	1	EACH	BMN80063	BKT, COMP, BAR, LOWER, CE300, '08
3	1	EACH	BMN80062	BKT, COMP, BAR, UPPER, CE300, '08
2	1	EACH	BMN80038	BKT, RAD HOSE, PMAX DT, CE300
1	1	EACH	BELO2667	BELT, 10gr, 2667mm (105")

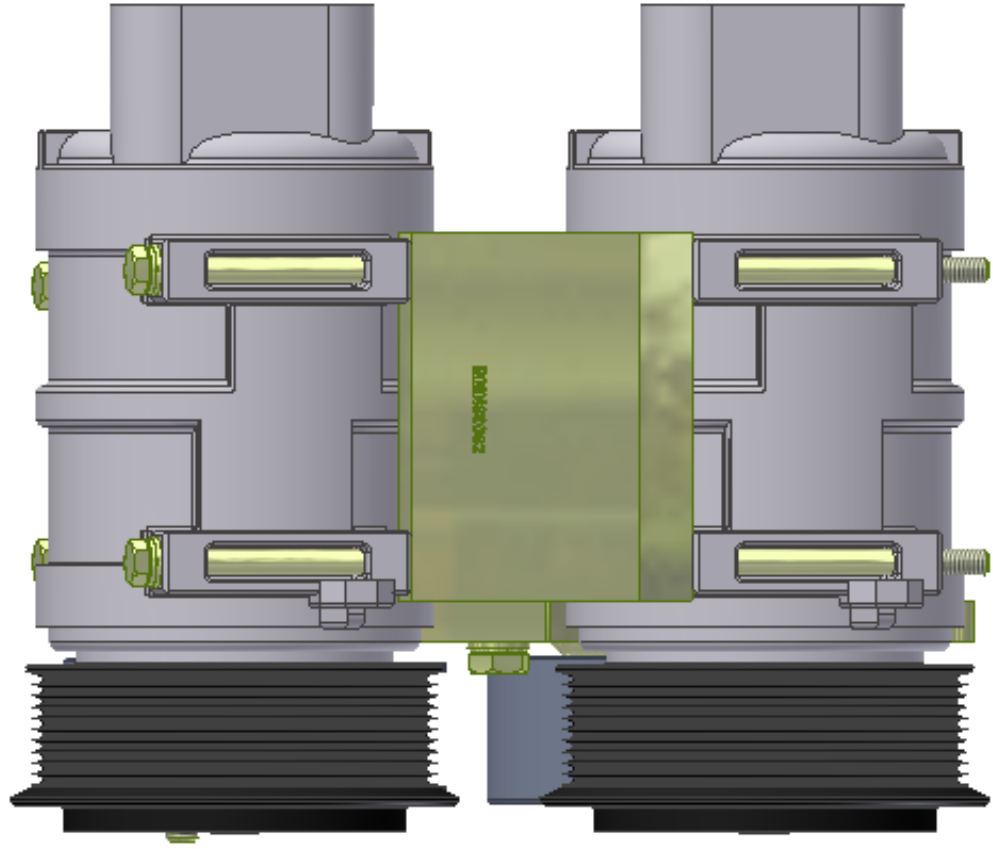
BILL OF MATERIALS
TRANSARGTIC INC.

1	WAS SPC18010 DEL'D WDS17001	5/8/2008	JRR	VAL	11/14/2008	James Stewart	11/14/2008	TITLE	
2	RELEASED TO PRODUCTION	11/14/08	VAL	OK	11/14/08	James Stewart	11/14/08		
REV	ECN	DESCRIPTION	DATE	BY	DATE	BY	DATE		
				WFG	11/14/2008	Ron Ingram	11/14/2008	MT. KIT, MForce DT, CE300, 2 TM-21, '08	
				APPROVED	11/14/2008	Dale Mason	11/14/2008		
<p>UNSPECIFIED TOLERANCES: (ALL DIM) .005 (ALL ANG) .010 (ALL R) .010 (ALL CHAM) .010 (ALL HOLE) .010 (ALL TYPICAL) .010 (ALL FRACTIONAL) .010 (ALL DECIMAL) .010 (ALL DECIMAL) .010 (ALL DECIMAL) .010 (ALL DECIMAL)</p>								<p>DWG NO KMN82673</p>	<p>REV 1</p>
<p>DRAWING UNIT OF MEASURE: MM (INCH)</p>								<p>SCALE: 1:2</p>	<p>SHEET 1 OF 1</p>









TransArctic A/C Compressor Mount Installation Disclaimer

All compressor mounts should be installed by qualified and trained personnel using proper tools and equipment in safe working conditions following industry standard guidelines for motor vehicle service and repair.

The installer of any compressor mount purchased from TransArctic must undertake all responsibility of issues arising from that compressor bracket being installed on any vehicle. As well as insure that a **proper and sufficient ground** is established between the compressors' clutches and the vehicle's engine. Mount functionality, operation and durability can all be compromised by an incompetent installation.

Due to the many different situations, parameters and application criteria, which are beyond the compressor mount manufacturer's control, TransArctic does not warrant design, durability, or operational functionality of any compressor mount improperly installed by another party.

With no implied guarantees it is the mount installer's strict responsibility to determine safety and functionality, of the compressor mount, at the time of installation.

Please contact TransArctic with any issue arising from installation so we may better improve the product. If you have any reservations about the compressor mount integrity contact TransArctic immediately at 1-877-COLD-AIR.

Mark OEM tensioner location

Install Kit

Check for Interferences

Check to ensure that the proper OEM tensioner orientation is maintained

Run engine with A/C system engaged for at least 10 minutes to run in belt

Check OEM tensioner orientation and adjust as required

Responsabilidad limitada de TransArctic en la instalación del soporte del compresor

Todos los soportes de los compresores deben ser instalados por personas calificadas y entrenadas, usando para ello los equipos y herramientas necesarios para esta labor en buenas condiciones y según las normas y guías para el servicio y/o reparación de motores de vehículos.

El instalador de los soportes comprados en TransArctic asume toda la responsabilidad de cualquier problema que surga en el soporte del compresor al vehículo; de igual manera es responsable que el cable a tierra sea conectado entre el embrague del compresor y el motor del vehículo.

Se advierte que el buen funcionamiento y la durabilidad del soporte pueden ser comprometidos por defectos en su instalación.

Debido a las diversas situaciones que se puedan presentar fuera del control del fabricante, TransArctic no garantiza el diseño, la durabilidad o el correcto funcionamiento de cualquier equipo inapropiadamente instalado por terceros.

Esta sobreentendido que el Instalador del montaje del compresor es estrictamente responsable de la seguridad y funcionamiento del equipo en el momento de la instalación.

Si tuviera algún problema o duda acerca de la instalación del soporte del compresor pongase en contacto inmediatamente con TransArctic al teléfono 1-877-COLD-AIR de modo que podamos mejorar nuestro producto.

Note la ubicación del medidor de tensión OEM

Instale el equipo

Controlar si hay interferencias.

Asegure que el medidor de tensión mantenga la orientación justa.

Encienda el motor por lo menos 10 minutos con el sistema A/C enganchado para que la correa corra

Controle la orientación justa del medidor de tensión y ajuste a las condiciones requeridas del fabricante