

# Bill of Materials Listing

TransArctic Canada Inc.

4/4/2007

Page 1 of 1

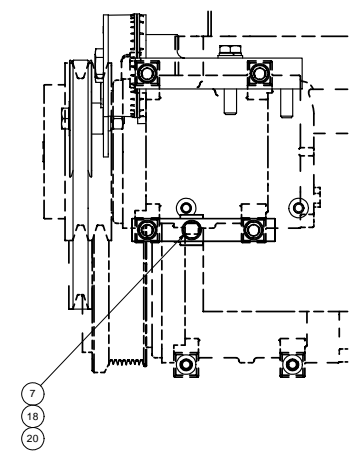
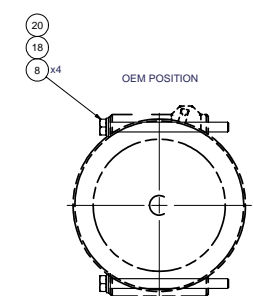
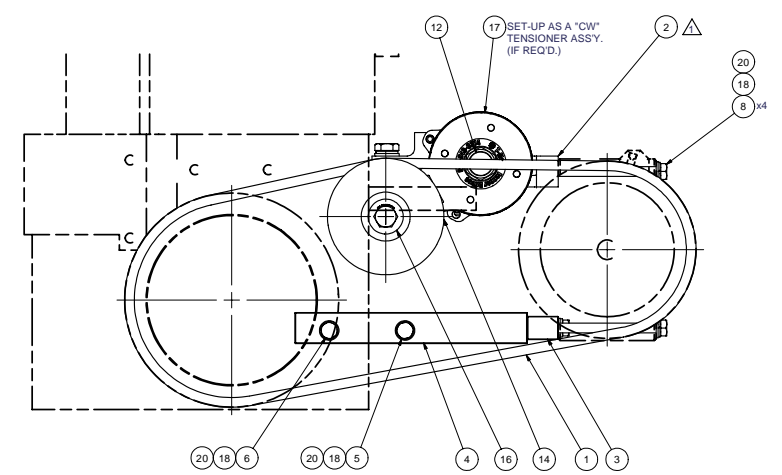
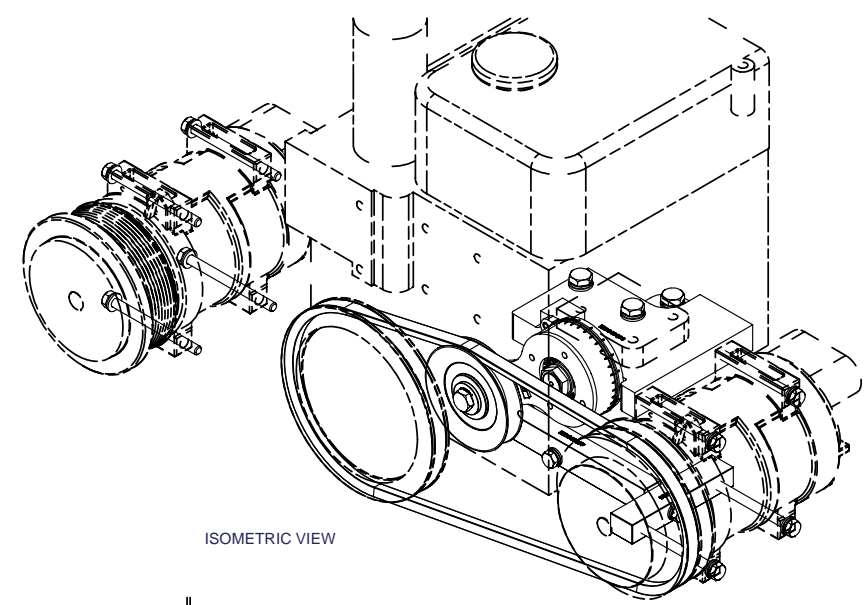
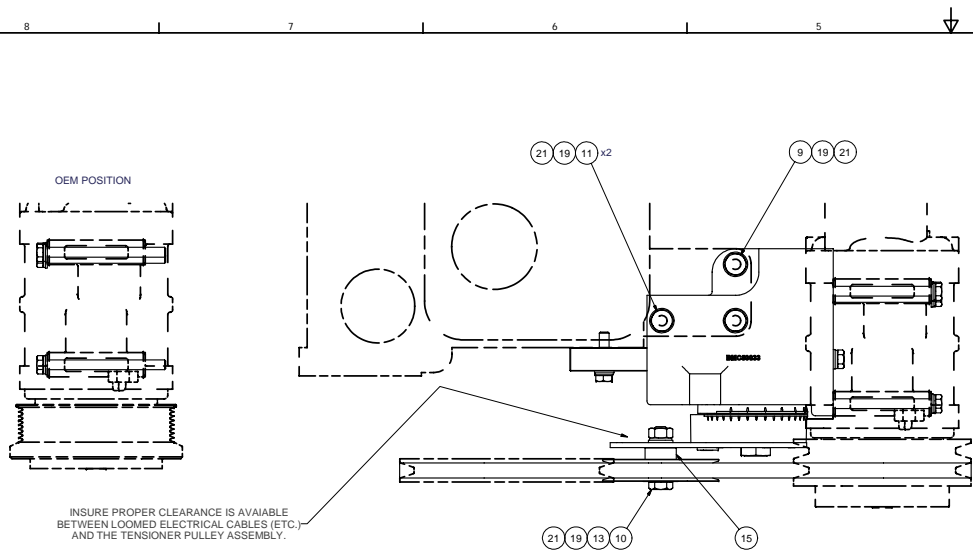
Product Number		Description	Bin	Date	Weight	Uof M	Yield
Line	Component Prod#	Description		Unit	Qty		
<b>KMC52652</b>		<b>Mt Kit, ISB, A3FE, 2 TM-21, '06-'07</b>		<b>7/26/2006</b>	<b>12.99</b>		<b>0</b>
10	BEL11138	Belt, A gr, 1138mm (44.8") (17448)		each	1		
20	BMC59033	Bkt, Main, Weldmt, ISB, A3FE		each	1		
30	BMC59035	Bkt, Cradle, BTM, 87mm, ISB, A3FE		each	1		
40	BMC59037	Bkt, Spacer, Bar, ISB, A3FE		each	1		
50	PUL10094	Pulley, Idler, SA,94d x 18w,Blk (IP-103)		each	1		
60	SCD12717	Spacer, Col, Drl, 12.7mm x 25.4o x 17i		each	1		
70	SLV17010	Sleeve, Pulley, 16.9o x 22.23mm x 10.32i		each	1		
80	TEN00002	Tenr.Spring,Un-Direct,90d,3/8 x 4.5"/3.5"		each	1		
90	KBC52652	Bag Kit, Fasteners, KMC52652/2352/2052		each	1		

# Bill of Materials Listing

TransArctic Canada Inc.

4/3/2007  
Page 1 of 1

Product Number		Description	Bin	Date	Weight	Uof M	Yield
Line	Component Prod#	Description		Unit	Qty		
<b>KBC52652</b>		<b>Bag Kit, Fasteners, KMC52652/2352/2052</b>		<b>7/26/2006</b>	<b>1.34</b>		<b>0</b>
10	BTC10050	Bolt, Hex, 10 x 1.5 x 50mm, 10.9, Plt		each	2		
20	BTC10045	Bolt, Hex, 10 x 1.5 x 45mm, 10.9, Plt		each	1		
25	BTC10040	Bolt, Hex, 10 x 1.5 x 40mm, 10.9, Plt		each	1		
30	BTC08100	Bolt, Hex, 8 x 1.25 x 100mm, 10.9, Plt		each	8		
40	BTC08040	Bolt, Hex, 8 x 1.25 x 40mm, 10.9, Plt		each	1		
50	BTC08035	Bolt, Hex, 8 x 1.25 x 35mm, 10.9, Plt		each	1		
60	BTC08015	Bolt, Hex, 8 x 1.25 x 15mm, 10.9, Plt		each	1		
70	CSF06250	Capscrew, FH, 3/8-16 x 2.5", 9, Plt		each	1		
80	NTA10000	Nut, Hex, 10 x 1.5, 8.8, Plt		each	1		
90	WFA08000	Washer, Flat, 8mm, 8.8, Plt		each	11		
100	WFA10000	Washer, Flat, 10mm, 8.8, Plt		each	4		
110	WLA08000	Washer, Lock, 8mm, 8.8, Plt		each	11		
120	WLA10000	Washer, Lock, 10mm, 8.8, Plt		each	4		



NOTES:  
 1) USE SERVICABLE THREADLOCKER ON ALL FASTENERS TO ENGINE COMPONENTS AND TORQUE ALL BOLTS TO S.A.E. SPECIFICATIONS.  
 2) SEE "TRANSARGTIC A/C COMPRESSOR MOUNT INSTALLATION DISCLAIMER".

ITEM	QTY	UM	PART NUMBER	DESCRIPTION
21	4	EACH	WLA10000	WASHER, LOCK, 10mm, 8.8, PLT
20	11	EACH	WLA08000	WASHER, LOCK, 8mm, 8.8, PLT
19	4	EACH	WFA10000	WASHER, FLAT, 10mm, 8.8, PLT
18	11	EACH	WFA08000	WASHER, FLAT, 8mm, 8.8, PLT
17	1	EACH	TENR00002	TENR, SPRING, UN-DIRECT, 90D, 3/8 X 3.5"
16	1	EACH	SLV17010	SLEEVE, PULLEY, 16.9x x 22.23mm x 10.32i
15	1	EACH	SCD12717	SPACER, COL, DRL, 12.7mm x 25.4x x17i
14	1	EACH	PUL10094	PULLEY, IDLER, SA.94D X 18W, BLK (IP-103)
13	1	EACH	NTA10000	NUT, HEX, 10 x 1.5, 8.8, PLT
12	1	EACH	CSF06250	CAPSCREW, FH, 3/8-16 x 2.5", 9, PLT
11	2	EACH	BTC10050	BOLT, HEX, 10 x 1.5 x 50mm, 10.9, PLT
10	1	EACH	BTC10045	BOLT, HEX, 10 x 1.5 x 45mm, 10.9, PLT
9	1	EACH	BTC10040	BOLT, HEX, 10 x 1.5 x 40mm, 10.9, PLT
8	8	EACH	BTC08100	BOLT, HEX, 8 x 1.25 x 100mm, 10.9, PLT
7	1	EACH	BTC08040	BOLT, HEX, 8 x 1.25 x 40mm, 10.9, PLT
6	1	EACH	BTC08035	BOLT, HEX, 8 x 1.25 x 35mm, 10.9, PLT
5	1	EACH	BTC08015	BOLT, HEX, 8 x 1.25 x 15mm, 10.9, PLT
4	1	EACH	BMC59037	BKT, SPACER, BAR, ISB, A3FE
3	1	EACH	BMC59035	BKT, CRADLE, BTM, 87mm, ISB, A3FE
2	1	EACH	BMC59033	BKT, MAIN, WELDMT, ISB, A3FE
1	1	EACH	BEL11138	BELT, A gr, 1138mm (44.8")

TRANSARGTIC INC.

REV	ECN	DESCRIPTION	DATE	BY
2		BY DESCRIPTION REMOVED	8/10/2007	BEAR
1		MODIFIED ITEM TO SUIT OF MODEL	8/20/2007	VAL
		RELEASED TO PRODUCTION	7/31/2006	VAL
				GA
				James Stewart
				7/31/2006
				Ron Ingram
				7/31/2006
				Date Mason
				7/31/2006

UNSPECIFIED TOLERANCES: ALL DIM. ±.004  
 DIM DECIMAL PLACE (X) .005 (FRACTIONAL) ±.005  
 DIM FRACTIONAL PLACE (X) .005 (FRACTIONAL) ±.005  
 DIM FRACTIONAL PLACE (X) .005 (FRACTIONAL) ±.005

DRAWN	vjakoview	7/31/2006	
CHECKED	James Stewart	7/31/2006	
APPROVED	Ron Ingram	7/31/2006	
DATE	Date Mason	7/31/2006	
TITLE	MT KIT, ISB, 5.9L, A3FE, 2 TM-21, '06		
SIZE	D	DWG NO	KMC52652
SCALE	1:2	SHEET	1 OF 1

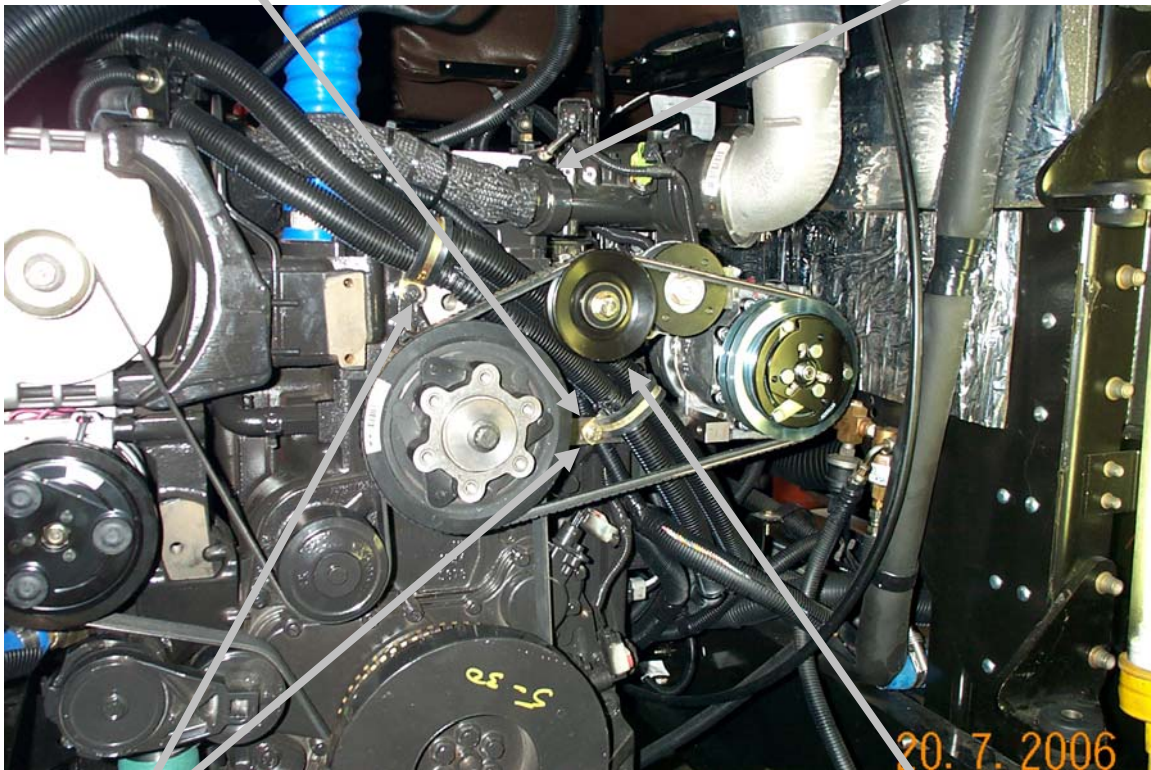
## KMC52652 / KMC52352 / KMC52052

- Mt Kit, ISB, 5.9L/6.7L, A3FE, 2 TM-21/TM-16 or 1 TM-16 & 1 TM-21, '06-'07

**Remove Radiator and intercooler.**

EGR Clamp may need to be rotated so the bolt clears tensioner swing path.

Engine wire harness may need to be moved and re-clamped to accommodate lower mount bracket



Main Power Conductors have to be secured firmly to engine so that tensioner does not hit them.

## **TransArctic A/C Compressor Mount Installation Disclaimer**

All compressor mounts should be installed by qualified and trained personnel using proper tools and equipment in safe working conditions following industry standard guidelines for motor vehicle service and repair.

The installer of any compressor mount purchased from TransArctic must undertake all responsibility of issues arising from that compressor bracket being installed on any vehicle. As well as insure that a **proper and sufficient ground** is established between the compressors' clutches and the vehicle's engine. Mount functionality, operation and durability can all be compromised by an incompetent installation.

Due to the many different situations, parameters and application criteria, which are beyond the compressor mount manufacturer's control, TransArctic does not warrant design, durability, or operational functionality of any compressor mount improperly installed by another party.

**With no implied guarantees it is the mount installer's strict responsibility to determine safety and functionality, of the compressor mount, at the time of installation.**

Please contact TransArctic with any issue arising from installation so we may better improve the product. If you have any reservations about the compressor mount integrity contact TransArctic immediately at 1-877-COLD-AIR.