

# Bill of Materials Listing

TransArctic Canada Inc.

2/20/2018  
Page 1 of 1

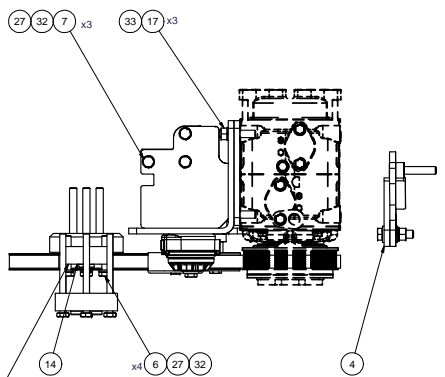
Product Number	Description	Date	Weight	Uof M	Yield
Line Component Prod#	Description	Bin Unit	Qty		
<b>KMC62707</b>	<b>Mt Kit, ISB, CNG,C2, TM-43, 10"d, '16+</b>	<b>5/14/2015</b>	<b>62.47</b>		<b>0</b>
5 PAC23150	Pack, Carton, 23" x 15" x 10", 51 ECT	each	1		
10 BEL61676	Belt, 6gr, 1676mm (66")	each	1		
20 BMC67122	BKT, MAIN,WLDT, D-S,6.7L, ISB, C2, TM-43	each	1		
30 BMC67125	BKT, WELDM'T, RAD, ISB, C2, KMC62705	each	1		
35 BMC67161	BKT, SPACER, PLT, WELDMN'T, ISB, CNG C	each	1		
40 BMC67130	BKT,SPACER, RAD, ISB, C2, KMC62705	each	1		
41 FSP59286	Spacer, Fan, Pulley, ISB, 28.6mm (1.13")	each	1		
42 FSP62905	Spacer, Fan, Pulley, ISB, 29.05mm(1.14")	each	1		
50 NTS10254	Nut, Tensioner, 10 mm, 25.4 mm o/a, PLT	each	1		
60 PUL60076	Pulley, Idler, Frontside, P6,76d (89051)	each	1		
70 PUL67007	Pulley, Crank, ADD-ON, 10"d, ISB, 6.7,P6	each	1		
90 SCD14213	Spacer, Col, Drl, 14.2mm x25.4o x12.7i	each	1		
91 SCD32512	Spacer, Col, Drl, 32.5mm x 25.4o x 12.3i	each	1		
92 SCD38430	Spacer, Step, Drl,38.4mm x 34.9o x10.08i	each	1		
95 SLV17110	Sleeve, Pulley,S,16.9o x 22.23mm x 10.3i	each	1		
185 TEN80005	Tenr, HD Spring, BackSide, CCW (89430)	each	1		
200 HOA01002	Hose, Air, 1" ID	feet	3.00		
210 KBC62706	Bag Kit, Fasteners, KMC62706	each	1		

# Bill of Materials Listing

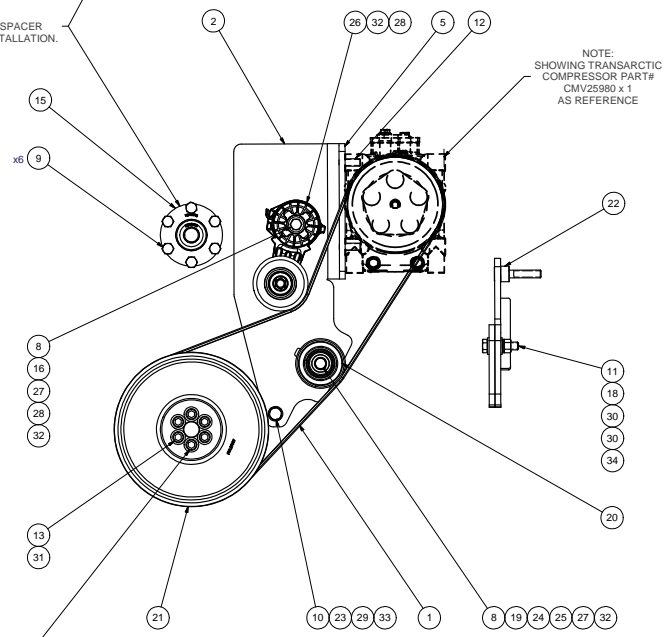
TransArctic Canada Inc.

2/20/2018  
Page 1 of 1

Product Number		Description	Bin	Date	Weight	Uof M	Yield
Line	Component	Prod#	Description	Unit	Qty		
<b>KBC62706</b>			<b>Bag Kit, Fasteners, KMC62706</b>		<b>5/14/2015</b>	<b>4.15</b>	<b>0</b>
10	BTC10060		Bolt, Hex, 10 x 1.5 x 60mm, 10.9, Plt	each	4		
20	BTC10065		Bolt, Hex, 10 x 1.5 x 65mm, 10.9, Plt,FT	each	3		
40	BTC10090		Bolt, Hex, 10 x 1.5 x 90mm, 10.9, Plt	each	2		
50	BTC10130		Bolt, Hex, 10 x 1.5 x 130mm, 10.9, Plt	each	6		
70	BTC12130		Bolt, Hex, 12 x 1.75 x 130mm, 10.9, Plt	each	1		
80	BTQ08200		Bolt, Hex, 1/2-13unc, 2.0", 8, Plt	each	1		
90	CSF12036		Capscrew, FH, 12 x 1.75 x 35mm, 10.9,Plt	each	3		
110	CSS12090		Capscrew, SH, 12 x 1.25 x 90mm, 12.9,BLK	each	6		
120	NTA10000		Nut, Hex, 10 x 1.5, 8.8, Plt	each	1		
130	NTA12000		Nut, Hex, 12 x 1.75, 8.8, Plt	each	3		
140	NTQ08000		Nut, Hex, 1/2-13unc, 8, Plt	each	1		
150	WFA10000		Washer, Flat, 10mm, 8.8, Plt	each	9		
160	WFA10002		Washer, Flat, 10mm, Hvy, 8.8, Plt	each	1		
170	WFA12000		Washer, Flat, 12mm, 8.8, Plt	each	1		
200	WFQ08000		Washer, Flat, 1/2", 8, Plt	each	2		
210	WFS12002		Washer, Flat, Hdn, 12mm, Stil, BLK	each	6		
215	WLA10000		Washer, Lock, 10mm, 8.8, Plt	each	9		
220	WLA12000		Washer, Lock, 12mm, 8.8, Plt	each	4		
230	WLQ08000		Washer, Lock, 1/2", 8, Plt	each	1		



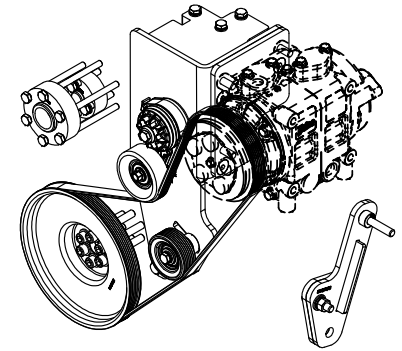
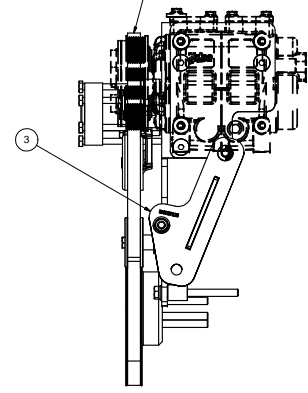
NOTE:  
USE APPROPRIATE FAN SPACER  
& FASTENERS TO SUIT INSTALLATION.



NOTE:  
SHOWING TRANSARGTIC  
COMPRESSOR PART#  
CMV25980 x 1  
AS REFERENCE

NOTE:  
TORQUE TO: 37 FT-LB PLAIN & LUBRICATED W/ CLEAN ENGINE OIL (15W-40)  
(SH. CAPSCREW M12 x 1.25 x 90mm)  
TIGHTEN IN TWO STEPS IN A CRIS-CROSS TIGHTENING SEQUENCE PATTERN

NOTE:  
INSTALL THE 6 GR. BELT ON THE  
FRONT 6 GROOVES OF THE 8 GR.  
COMPRESSOR PULLEY.



ISOMETRIC VIEW

NOTES:  
1) USE SERVICABLE THREADLOCKER ON ALL FASTENERS TO ENGINE COMPONENTS AND TORQUE ALL BOLTS TO S.A.E. SPECIFICATIONS.  
2) SEE "TRANSARGTIC A/C COMPRESSOR MOUNT INSTALLATION DISCLAIMER".

ITEM	QTY	U/M	PART NUMBER	DESCRIPTION
34	1	EACH	WLO08000	WASHER, LOCK, 1/2", 8, PLT
33	4	EACH	WLA12000	WASHER, LOCK, 12mm, 8.8, PLT
32	9	EACH	WLA10000	WASHER, LOCK, 10mm, 8.8, PLT
31	6	EACH	WFS12002	WASHER, FLAT, HDN, 12mm, STL, BLK
30	2	EACH	WFO08000	WASHER, FLAT, 1/2", 8, PLT
29	1	EACH	WFA12000	WASHER, FLAT, 12mm, 8.8, PLT
28	1	EACH	WFA10002	WASHER, FLAT, 10mm, HVY, 8.8, PLT
27	9	EACH	WFA10000	WASHER, FLAT, 10mm, 8.8, PLT
26	1	EACH	TEN80005	TENR, HD SPRING, BACKSIDE, CCW (89430)
25	1	EACH	SLV17110	SLEEVE, PULLEY, 5, 16.90 x 22.23mm x 10.31
24	1	EACH	SCD38430	SPACER, STEP, DRL, 38.4mm x 38.10 x10.081
23	1	EACH	SCD32512	Spacer, Col, Drl, 32.5 mm x 25.4 o x12.31
22	1	EACH	SCD14213	SPACER, COL, DRL, 14.2mm x25.4o x12.71
21	1	EACH	PUL67007	PULLEY, CRANK, ADD-ON, CUM, ISB, 10", P6
20	1	EACH	PUL60076	PULLEY, P6, 3.195" DIA.
19	1	EACH	NTS10254	NUT, TENSIONER, 10 mm, 25.4 mm o/9, PLT
18	1	EACH	NTQ08000	NUT, HEX, 1/2-13UNC, 8, PLT
17	3	EACH	NTA12000	NUT, HEX, 12 x 1.75, 8.8, PLT
16	1	EACH	NTA10000	NUT, HEX, 10 x 1.5, 8.8, PLT
15	1	EACH	FSP62905	SPACER, FAN, PULLEY, ISB, 29.05mm (1.14")
14	1	EACH	FSP9286	SPACER, FAN, PULLEY, ISC, 28.6mm (1.13")
13	6	EACH	CSS12090	CAPSCREW, SH, 12 x 1.25 x 90mm, 12.9, PLT
12	3	EACH	CSF12036	CAPSCREW, FH, 12 x 1.75 x 35mm, 10.9, PLT
11	1	EACH	BTQ08200	BOLT, HEX, 1/2-13UNC x 2.00, 8, PLT
10	1	EACH	BTCT12130	BOLT, HEX, 12 x 1.75 x 130mm, 10.9, PLT
9	6	EACH	BTCT10130	BOLT, HEX, 10 x 1.5 x 130mm, 10.9, PLT
8	2	EACH	BTCT10090	BOLT, HEX, 10 x 1.5 x 90mm, 10.9, PLT
7	3	EACH	BTCT10065	BOLT, HEX, 10 x 1.5 x 65mm, 10.9, PLT
6	4	EACH	BTCT10060	BOLT, HEX, 10 x 1.5 x 60mm, 10.9, PLT
5	1	EACH	BMC67161	BKT, ADAPTOR, PLT, WELDMNT, ISB, CNG C2, '16
4	1	EACH	BMC67130	BKT, SPACER, RAD, ISB, C2, KMC62705
3	1	EACH	BMC67125	BKT, WELDMNT, RAD, ISB, C2, KMC62705
2	1	EACH	BMC67122	BKT, MAIN, WLDT, D-S, 5.7L, ISB, C2, TM-43
1	1	EACH	BEL1676	BELT, 6GR, 1676mm (6'6")

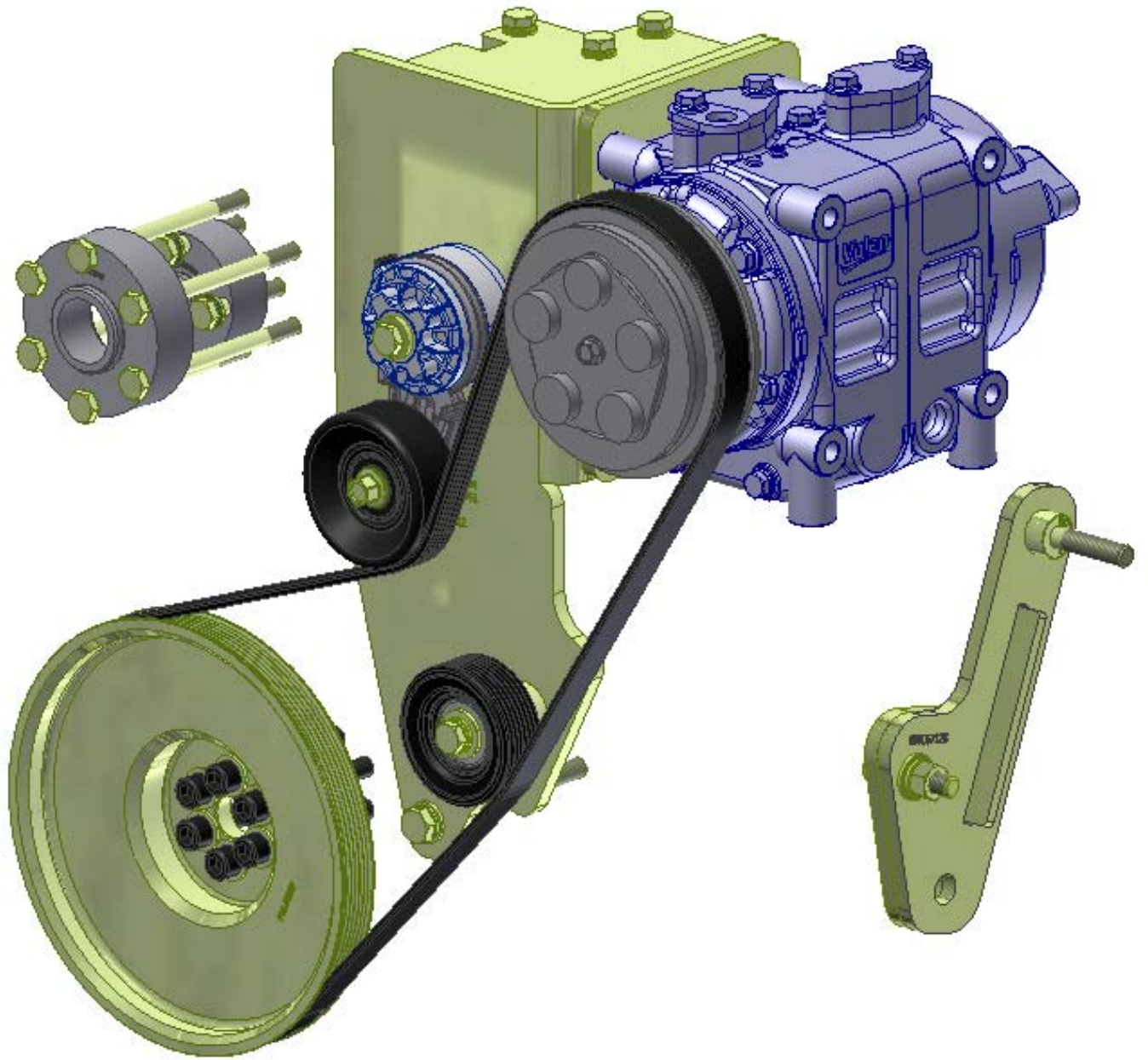
**TRANSARGTIC INC.**

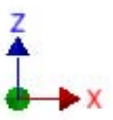
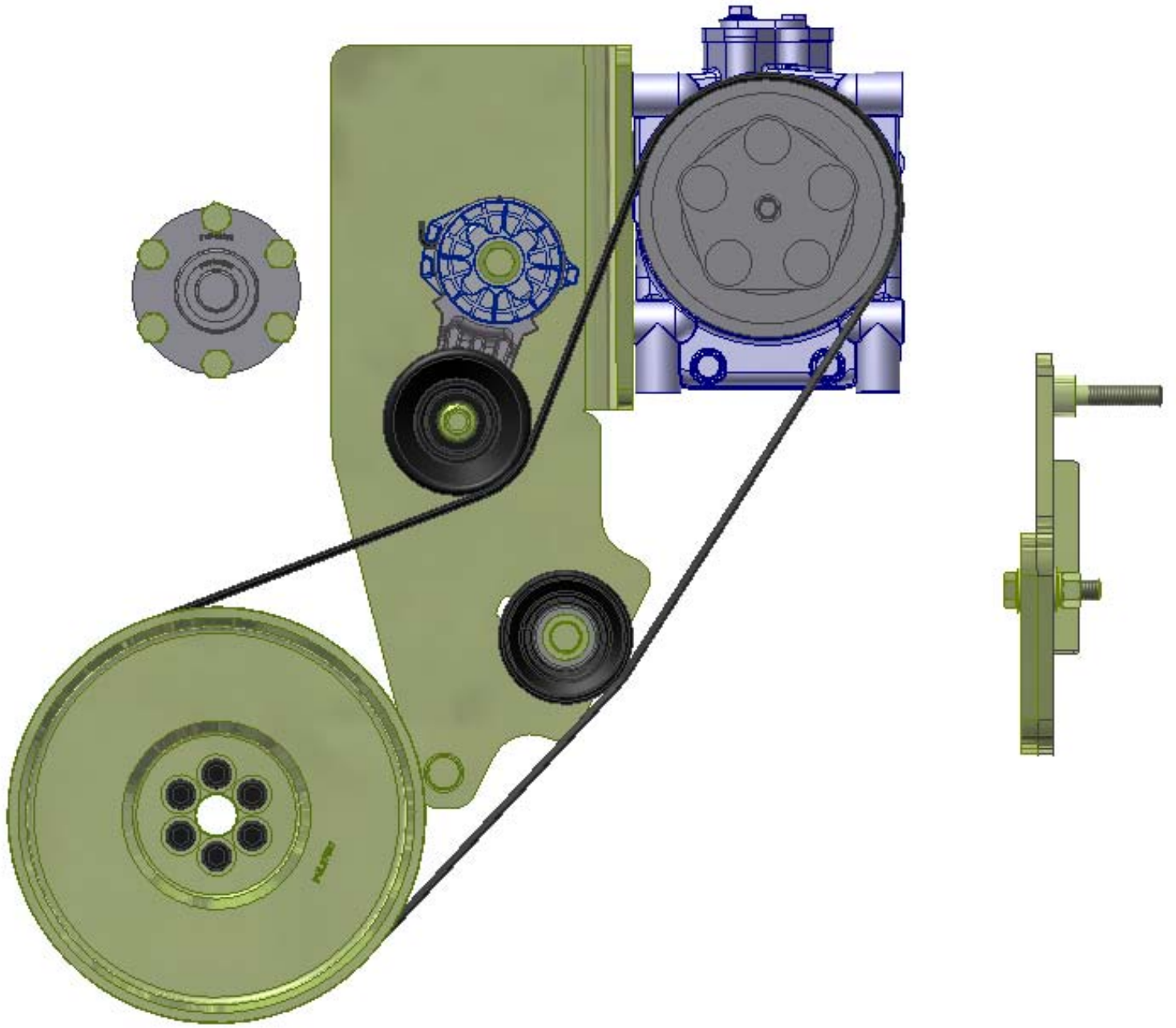
UNSPECIFIED TOLERANCES:	PLT (ALL)
ONE DECIMAL PLACE (X)	0.01 (FRA)
TWO DECIMAL PLACE (X)	0.005 (FRA)
THREE DECIMAL PLACE (X)	0.0005 (FRA)
FRACTIONAL (X/16)	1/16 (FRA)

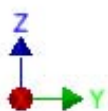
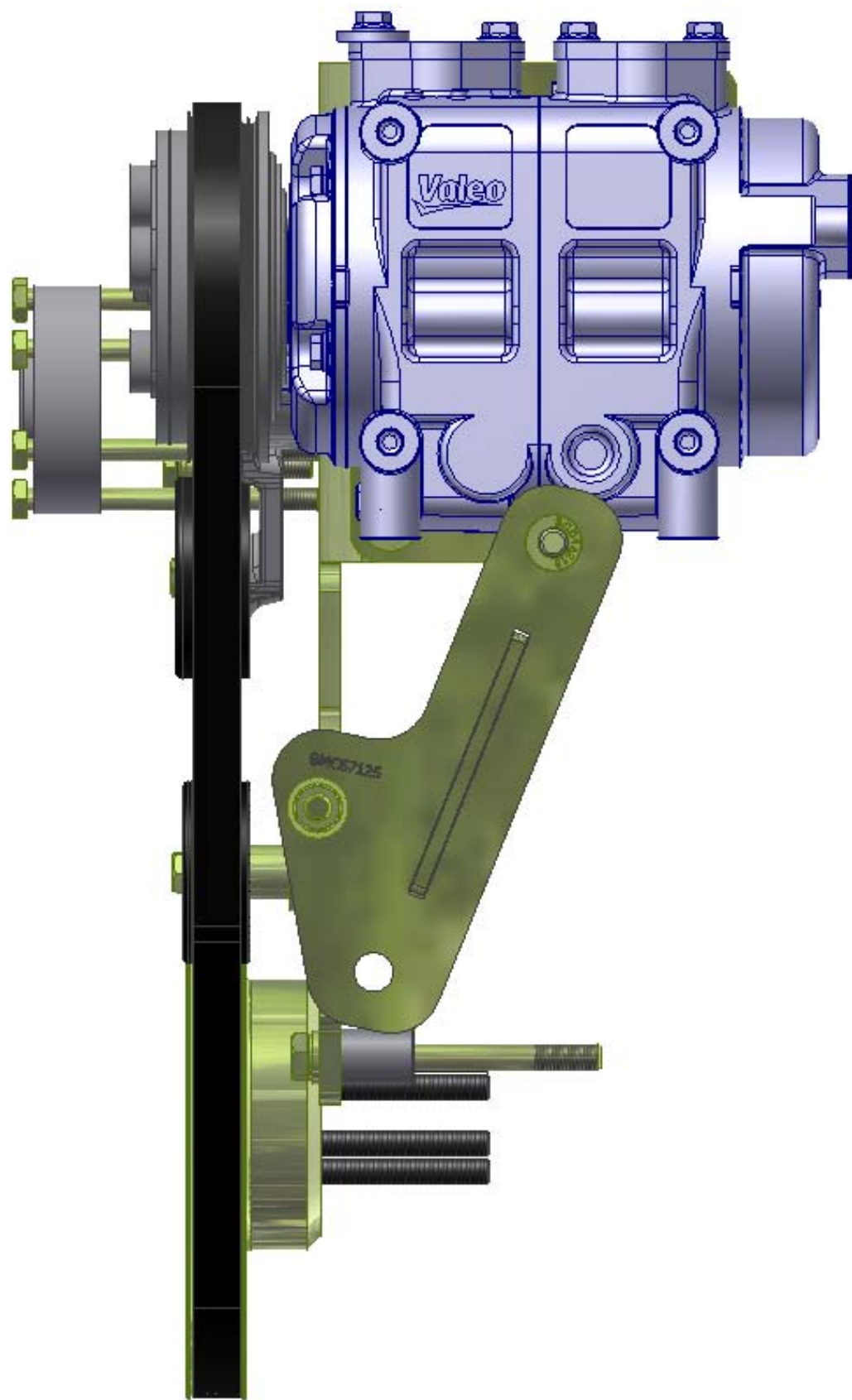
DRAWN	Jose Rodriguez	2/16/2018
CHECKED	Val Jakovlew	2/16/2018
REVISION	RELEASED TO PRODUCTION	2/16/2018
APPROVED	James Stewart	2/16/2018
DATE	Dale Mason	2/16/2018

TITLE		MT KIT, ISB, CNG, C2, TM-43, 10" D, 16+	
SIZE	D	DWG NO	KMC62707
SCALE	1:1	SHEET	1 OF 1

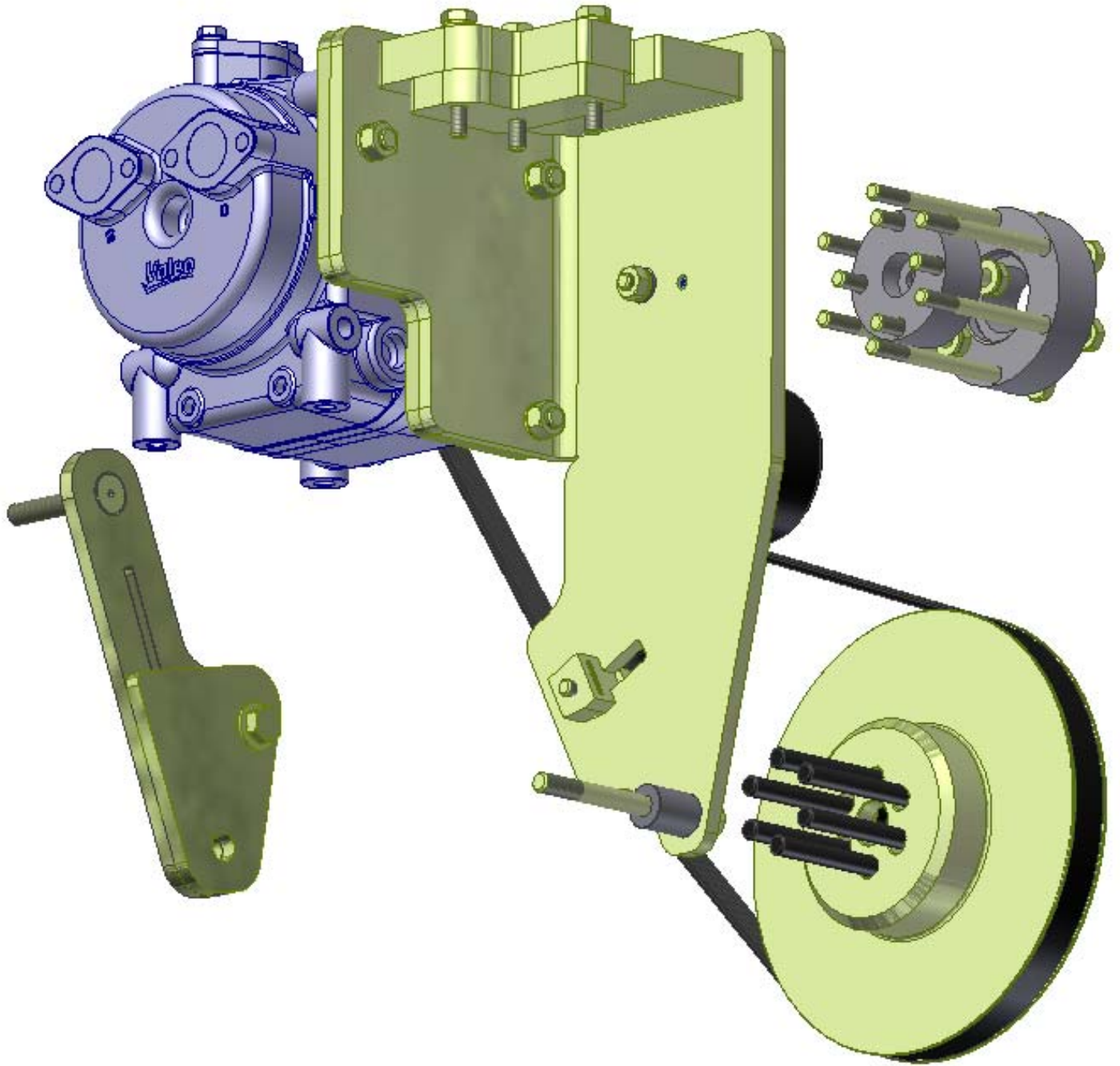
DRAWING UNIT OF MEASURE: MM (INCH) THIRD ANGLE PROJECTION











## **TransArctic A/C Compressor Mount Installation Disclaimer**

All compressor mounts should be installed by qualified and trained personnel using proper tools and equipment in safe working conditions following industry standard guidelines for motor vehicle service and repair.

The installer of any compressor mount purchased from TransArctic must undertake all responsibility of issues arising from that compressor bracket being installed on any vehicle. As well as insure that a **proper and sufficient ground** is established between the compressors' clutches and the vehicle's engine. Mount functionality, operation and durability can all be compromised by an incompetent installation.

Due to the many different situations, parameters and application criteria, which are beyond the compressor mount manufacturer's control, TransArctic does not warrant design, durability, or operational functionality of any compressor mount improperly installed by another party.

**With no implied guarantees it is the mount installer's strict responsibility to determine safety and functionality, of the compressor mount, at the time of installation.**

Please contact TransArctic with any issue arising from installation so we may better improve the product. If you have any reservations about the compressor mount integrity contact TransArctic immediately at 1-877-COLD-AIR.

**Mark OEM tensioner location**

**Install Kit**

**Check for Interferences**

**Check to ensure that the proper OEM tensioner orientation is maintained**

**Run engine with A/C system engaged for at least 10 minutes to run in belt**

**Check OEM tensioner orientation and adjust as required**

### **Responsabilidad limitada de TransArctic en la instalación del soporte del compresor**

Todos los soportes de los compresores deben ser instalados por personas calificadas y entrenadas, usando para ello los equipos y herramientas necesarios para esta labor en buenas condiciones y según las normas y guías para el servicio y/o reparación de motores de vehículos.

El instalador de los soportes comprados en TransArctic asume toda la responsabilidad de cualquier problema que surja en el soporte del compresor al vehículo; de igual manera es responsable que el cable a tierra sea conectado entre el embrague del compresor y el motor del vehículo.

Se advierte que el buen funcionamiento y la durabilidad del soporte pueden ser comprometidos por defectos en su instalación.

Debido a las diversas situaciones que se puedan presentar fuera del control del fabricante, TransArctic no garantiza el diseño, la durabilidad o el correcto funcionamiento de cualquier equipo inapropiadamente instalado por terceros.

**Esta sobreentendido que el Instalador del montaje del compresor es estrictamente responsable de la seguridad y funcionamiento del equipo en el momento de la instalación.**

Si tuviera algún problema o duda acerca de la instalación del soporte del compresor pongase en contacto inmediatamente con TransArctic al teléfono 1-877-COLD-AIR de modo que podamos mejorar nuestro producto.

**Note la ubicación del medidor de tensión OEM**

**Instale el equipo**

**Controlar si hay interferencias.**

**Asegure que el medidor de tensión mantenga la orientación justa.**

**Encienda el motor por lo menos 10 minutos con el sistema A/C enganchado para que la correa corra**

**Controle la orientación justa del medidor de tensión y ajuste a las condiciones requeridas del fabricante**