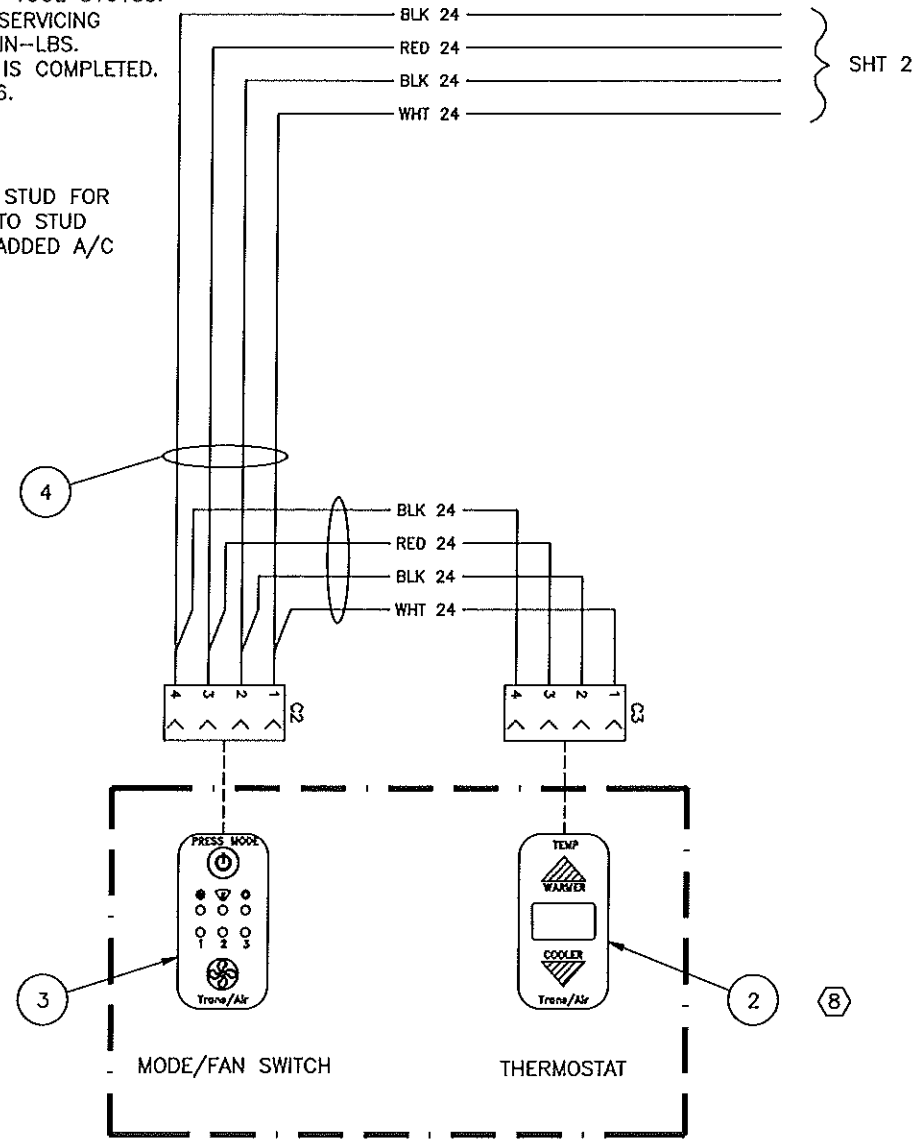


- NOTES:
- ① GROUND TO CHASSIS AT CLOSEST POINT TO MINIMIZE VOLTAGE LOSS.
 - ② OEM CLUTCH WIRE MUST BE DISCONNECTED FROM CLUTCH AND CONNECTED TO PINK T/A FOR TIE-IN SYSTEM.
 - ③ P/N 116048 TO BE PURCHASED SEPARATELY
 - ④ LOCATE EC4.0 BOARD INSIDE THE VEHICLE OR IN AN ENCLOSED ELECTRICAL COMPARTMENT. DO NOT LOCATE EXTERNAL TO THE VEHICLE OR EXPOSED TO HEAT IN THE ENGINE COMPARTMENT. MARK AND DRILL HOLES. **DO NOT USE EC4.0 BOARD AS A DRILL TEMPLATE.**
 - ⑤ LOCATE POWER FUSES WITHIN 4 FT. OF POWER SOURCE AND BEFORE PASSING THROUGH ANY PARTITIONS. FUSES LOCATED ELSEWHERE MUST BE PRE-APPROVED BY TRANS/AIR ENGINEERING DEPARTMENT.
 - ⑥ **RISK OF FIRE.** ONLY SCREWS SUPPLIED IN HARDWARE KIT (ITEM 39) ARE PERMITTED FOR USE IN TERMINAL STRIP. DO NOT SUBSTITUTE UNLESS APPROVED BY TRANS/AIR ENGINEERING DEPARTMENT. TORQUE TERMINAL STRIP SCREWS TO 18 IN-LBS. RECOMMEND USING TOOL 816183. TERMINAL STRIP USES LOCKING SCREWS THAT SHOULD NEVER BE REUSED. WHEN SERVICING ALWAYS USE NEW HARDWARE KIT 5031232 FROM TRANS/AIR AND TIGHTEN TO 18 IN-LBS. ALWAYS REPLACE COVER AFTER INSTALLATION AND AFTER EACH TIME ANY SERVICE IS COMPLETED. ALWAYS FOLLOW SERVICE INSTRUCTIONS. CONTACT TRANS/AIR AT 1-800-673-2446.
 7. SECURE CABLE TO MINIMIZE STRAIN AT EC4.0 BOARD CONNECTION POINT.
 - ⑧ SWITCHES MUST BE MOUNTED IN ADJACENT PANEL CUTOUTS.
 - ⑨ USE ONLY BATTERY OR ALTERNATOR POSITIVE POST OR ADEQUATE OEM-PROVIDED STUD FOR POWER PICK-UP POINT. WHEN USING OEM-PROVIDED STUD, VERIFY OEM FEEDER TO STUD AND ANY CIRCUIT PROTECTION UPSTREAM OF STUD ARE SIZED SUFFICIENTLY FOR ADDED A/C LOAD.
 - ⑩ SNAP TERMINAL STRIP COVER IN PLACE AS SHOWN IN DETAIL B, SHEET 3, ONCE WIRE CONNECTIONS AT THE TERMINAL STRIP ARE COMPLETED.

-01 NO HEAT
-02 HEAT

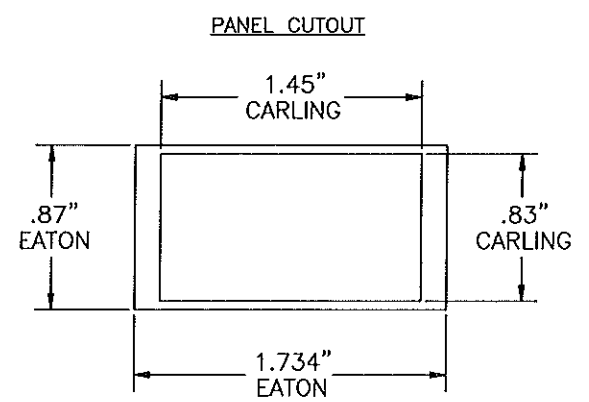
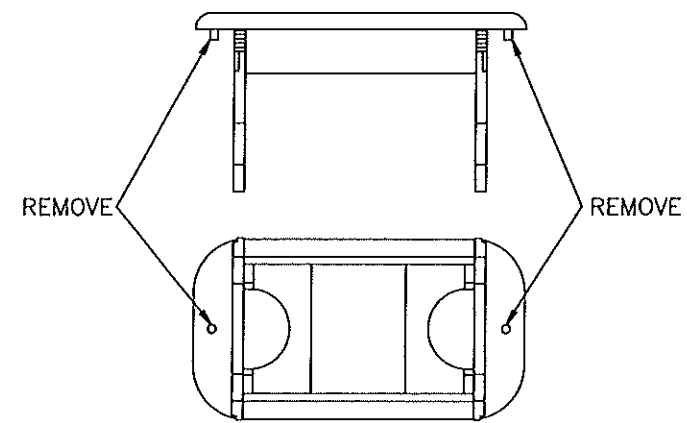
REVISIONS			
REV	DESCRIPTION	DATE	APPROVED
A	SEE ECN 09139	7/9/09	JMH
B	SEE ECN 09259	11/18/09	BGC
C	SEE ECN 10054	3/10/10	BGC
D	SEE ECN 13016	2/6/2013	BGC
E	SEE ECN 13133	8/20/13	DEW

QTY REQD PER ASSY	FSCM NO.	PART NO.	DESCRIPTION	MATERIAL / SPECIFICATION	ITEM NO.
1	1	5031232	HARDWARE KIT, TERMINAL STRIP		39
1	1	916151	LABELS, SWITCH, EVAPORATOR		38
1	1	916097	DECAL, MANUAL, EC4.0 OPERATION		37
10ft	-	116008	WIRE, 14 Ga BROWN		36
1	-	213033	VALVE, HEAT		35
1	1	111149	SENSOR, TEMPERATURE		34
1	1	701441	HARNESS, TEMPERATURE SENSOR		33
3	2	115031	TERMINAL, FEMALE SLIP-ON, 14-16 Ga		32
20	20	117001	TYRAP, 6"		31
10	10	611045	CLAMP, 3/8		30
5ft	5ft	116004	WIRE, 14 Ga GREEN		29
15ft	15ft	119002	LOOM, 1/2		28
45ft	35ft	119005	LOOM, 3/8		27
1	-	701508	RELAY BOARD ASSY, EC4.0 W/HEAT		26
14	14	619124	SCREW, HEX WASHER HD, #10 X 1/2, SELF DR		25
4	4	619125	SCREW, PAN HD, #6 X 5/8, SELF DR		24
30ft	30ft	116001	WIRE, 10 Ga RED		23
4	4	115016	TERMINAL, #10 RING, 10-12 Ga		22
6	5	115231	TERMINAL, #8 RING, 14-16 Ga		21
3	2	115014	TERMINAL, 1/4 RING, 14-16 Ga		20
3	3	115021	TERMINAL, 1/4 RING, 10-12 Ga		19
2	2	115196	TERMINAL, 3/8 RING, 10 Ga		18
9	9	115230	TERMINAL, #8 RING, 10-12 Ga		17
2	2	115042	TERMINAL, MALE SLIP-ON, 18-22 Ga		16
2	2	115029	TERMINAL, FEMALE SLIP-ON, 18-22 Ga		15
3	2	115041	TERMINAL, MALE SLIP-ON, 14-16 Ga		14
1	1	115009	TERMINAL, 5/16 RING, 14-16 Ga		13
15ft	15ft	116010	WIRE, 14 Ga BLACK		12
15ft	15ft	116022	WIRE, 14 Ga GRAY		11
10ft	10ft	116023	WIRE, 14 Ga PURPLE		10
10ft	10ft	116021	WIRE, 14 Ga PINK		9
1	1	110050-10	FUSE, MINI, 10A		8
1	1	110075	FUSE HOLDER, MINI, 16 Ga		7
2	2	701401	FUSE ASSY, 40A		6
1	1	701336-30	HARNESS, CONDENSER		5
1	1	701434	HARNESS, COMMUNICATION, EC4.0		4
1	1	701426	SWITCH, MODE & FAN SPD CONTROL		3
1	1	701425	THERMOSTAT, EC4.0		2
-	1	701507	RELAY BOARD ASSY, EC4.0		1

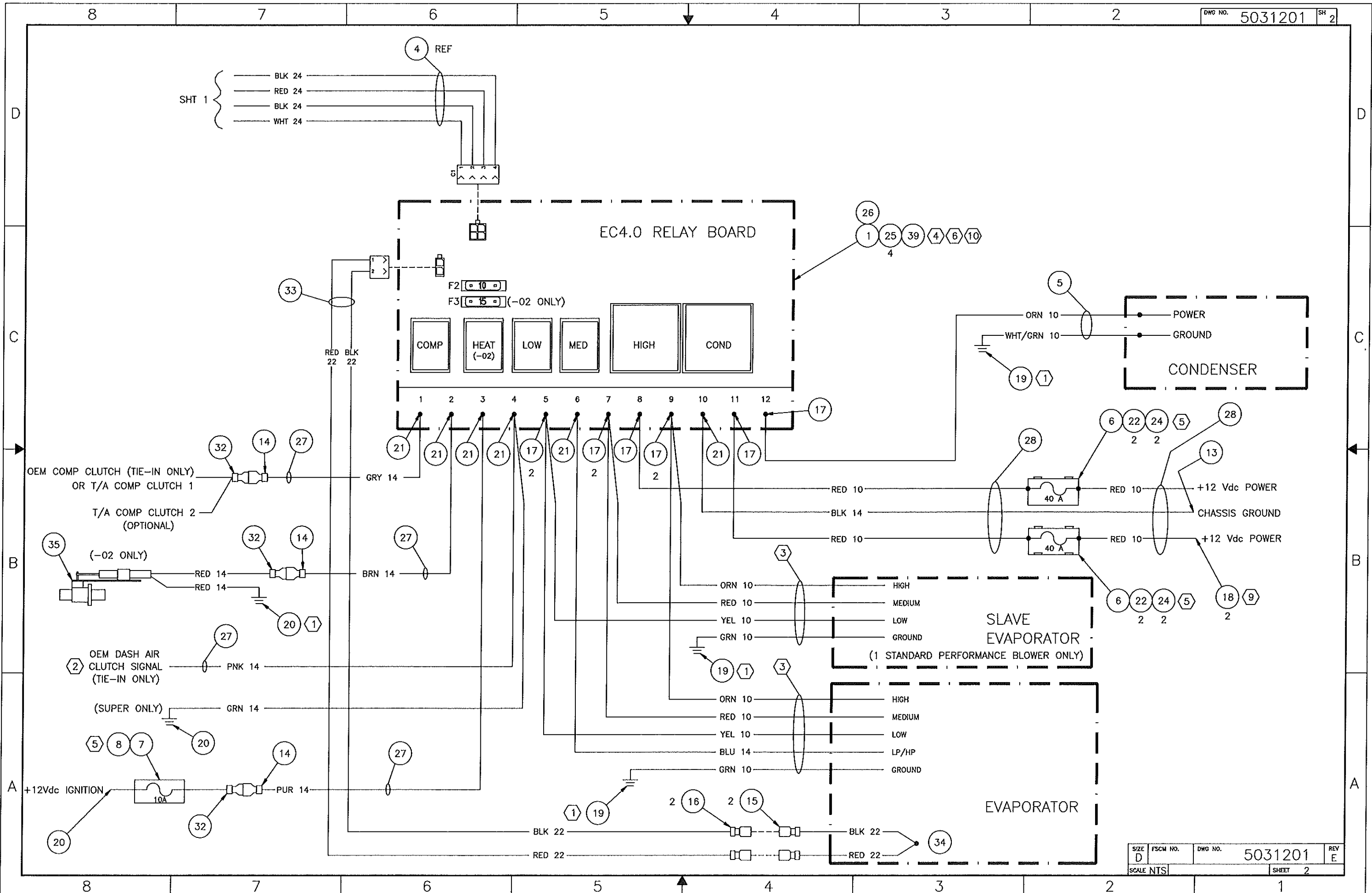


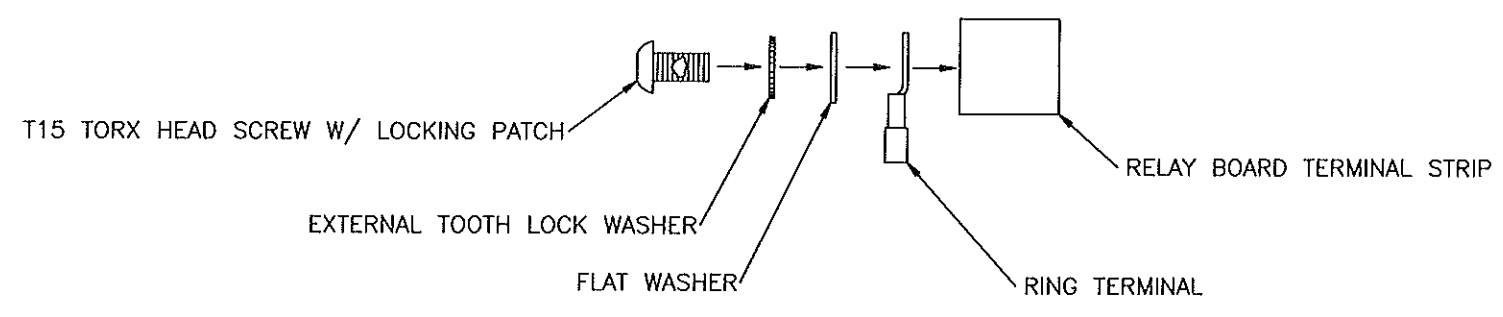
PUSHBUTTON SWITCH INSTALLATION

EC4.0 SWITCHES ARE SIZED TO FIT THE EXISTING ROCKER SWITCH PANEL CUTOUTS FOR EATON NGR ROCKERS AND CARLINGSWITCH CONTURA ROCKERS.
 EATON PANEL CUTOUT - EC4.0 SWITCHES SNAP IN AS-IS
 CARLINGSWITCH PANEL CUTOUT - REMOVE TABS INDICATED BELOW



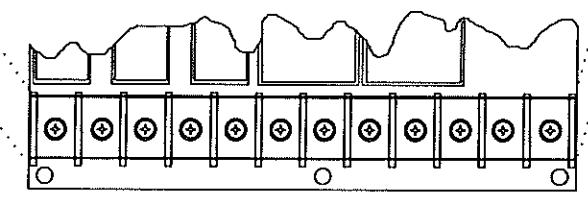
UNLESS OTHERWISE SPECIFIED: DIMENSIONS ARE IN INCHES TOLERANCES ON DECIMALS 2PL 3PL ANGLE ± ± ±		INTERPRET DRAWING PER 900-STD-100 REMOVE BURRS AND SHARP EDGES DO NOT SCALE DRAWING		TRANS/AIR MFG CORP	
MATERIAL:		DRAWN BY: BGC DATE: 3/27/09 CHECKER: [Signature] DATE: [Signature] DRAWING APPROVAL: [Signature] DESIGN APPROVAL: [Signature]			
NEXT ASSY USED ON APPLICATION		SCALE NTS		ELECTRICAL INSTALLATION EC4.0 W/SLAVE EVAP	
				DWG NO. 5031201 REV E	
				SHEET 1 of 3	





DETAIL A

WARNING Risk of fire. Terminal block uses locking screws that should never be reused. When servicing always use new hardware kit 5031232 from Trans/Air and tighten to 18 in-lbs. Always follow service instructions. Contact Trans/Air at 1-800-673-2446.



DETAIL B