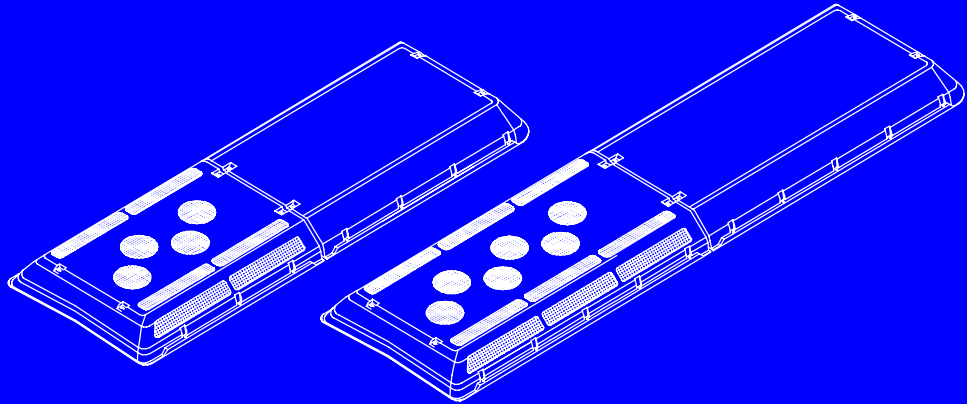
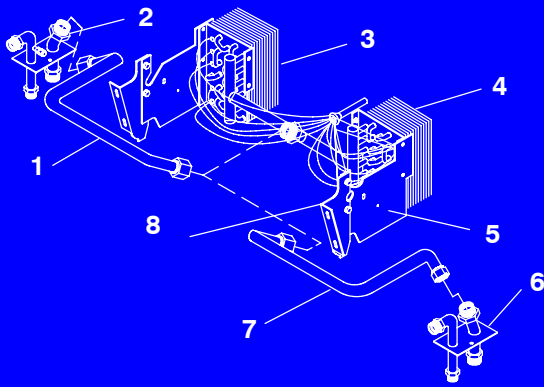




# Transport Air Conditioning



## SERVICE PARTS LIST

for

### **MODEL AC-310/350**

Rooftop Air Conditioning Unit  
with Electronic Thermostat



**TRANSICOLD**

---

**SERVICE PARTS LIST  
TRANSPORT  
AIR CONDITIONING UNIT**

**MODEL AC-310/350  
Rooftop Air Conditioning Unit  
with Electronic Thermostat  
(280P/282P & BT-324)**

## TABLE OF CONTENTS

INTRODUCTION .....	1
MODEL CHART AC310 .....	1
MODEL CHART AC350 (SINGLE LOOP) .....	1
ORDERING INSTRUCTIONS .....	1
GENERAL NOTES .....	1
1 CONDENSER ASSEMBLY - AC310 .....	2
2 CONDENSER ASSEMBLY - AC350 .....	3
3 EVAPORATOR ASSEMBLY - AC310 .....	4
4 EVAPORATOR ASSEMBLY - AC350 .....	5
5 FRAMES AND COVERS - AC310 .....	6
6 FRAMES AND COVERS - AC350 .....	8
7 COOLING SYSTEM COMPONENTS, EVAPORATOR, DUAL LOOP - AC310 - GEN I .....	10
8 COOLING SYSTEM COMPONENTS, EVAPORATOR, SINGLE LOOP - AC310 - GEN I .....	12
9 COOLING SYSTEM COMPONENTS, EVAPORATOR, SINGLE LOOP - AC350 GEN II .....	14
10 COOLING SYSTEM COMPONENTS-CONDENSER, DUAL LOOP - AC310 - GEN I .....	16
11 COOLING SYSTEM COMPONENTS, CONDENSER, SINGLE LOOP - AC310 - GEN I .....	18
12 COOLING SYSTEM COMPONENTS, CONDENSER, SINGLE LOOP - AC350 - GEN II .....	19
13 RETURN AIR FILTER & FRAME ASSEMBLY (EVAPORATOR) .....	20
14 HEATING SYSTEM AC310 & AC350 - GEN I & GEN II .....	21
15 EVAPORATOR HOUSING INSULATION - AC310 - GEN I .....	22
16 EVAPORATOR BLOWER AND CONDENSER FAN- AC310 - GEN I .....	23
17 EVAPORATOR BLOWER AND CONDENSER FAN - LOW NOISE - AC310 & AC350 - GEN II ..	24
18 OPERATOR CONTROLS - GEN I & II .....	25
19 ELECTRICAL OPERATING PARTS CSDD (BT 324) - GEN II .....	26
20 ELECTRIC CONTROL AND OPERATING PARTS - AC310 & AC350 - GEN II .....	28
21 ELECTRICAL OPERATING PARTS - AC310 - GEN I .....	29
22 RELAY PANEL WITH 282P THERMOSTAT - AC310 & AC35 .....	30
23 ELECTRIC CONTROL AND OPERATING PARTS - (MOTOR FAULT BOARD) .....	31
24 COOLING SYSTEM COMPONENTS - (FRONT EVAPORATOR OPTION) .....	32

## INTRODUCTION

This parts list identifies service replacement parts for the Carrier Transport Air Conditioning AC310, available in Single or Dual Loop, and the AC350, available in single loop only. These Bus Rooftop Air Conditioning and Heating systems are listed in the following Model Chart.

### MODEL CHART AC310

Part Number	GEN.	Voltage	With Heat	Dual Loop	Single Loop
77-62031-00	I	12 VDC	Yes		X
77-62031-01	I	24 VDC	Yes		X
77-62031-02	I	12 VDC	Yes		X
77-62032-01	II	24 VDC	Yes	X	
77-62032-03	II	12 VDC	Yes	X	
77-62032-04	II	12 VDC	Yes	X	

### MODEL CHART AC350 (SINGLE LOOP)

Part Number	GEN.	Voltage	With Heat	Controller	With Cover
77-62041-01	I	24 VDC	Yes	Manual	Yes
77-62041-02	I	24 VDC	Yes	Manual	No
77-62041-04	II	24 VDC	No	BT324	No
77-62041-05	II	24 VDC	No	BT324	Yes
77-62041-06	II	24 VDC	Yes	BT324	Yes
77-62041-07	II	24 VDC	Yes	BT324	No

## ORDERING INSTRUCTIONS

All orders and inquiries for parts must include: Unit Serial Number, Part No., description of part as shown on list and quantity required. Address all correspondence for parts to the following address or Fax number:

MAIL : CARRIER TRANSICOLD DIVISION  
 Replacement Components Group, TR-20  
 P.O. Box 4805  
 Syracuse, NY 13221  
 FAX: (315) 432-3778

## GENERAL NOTES

1. This catalog contains those items most commonly required for replacement purposes. If parts other than those cataloged are required, please provide the model number and serial number of the unit on which the parts are to be used and a complete description including references to items which are cataloged.
2. The replacement parts listed in this catalog are RCG "Factory-Authorized Parts" and, as a result of "standardization," may not be identical to the original part furnished on the equipment.
3. To find replacement parts, determine major group in which replacement part is located. Consult table of contents for the appropriate page for the illustrated breakdown of the replacement part. The following letter designations are used to classify parts throughout this list.

A/R *As Required*

NSA *Non-Stock Assembly* - Order components listed under the assembly.

NSS *Not Sold Separately* - Order next higher assembly or kit.

P-- *Suffix P--* added to part number means part is available in packaged quantity only.

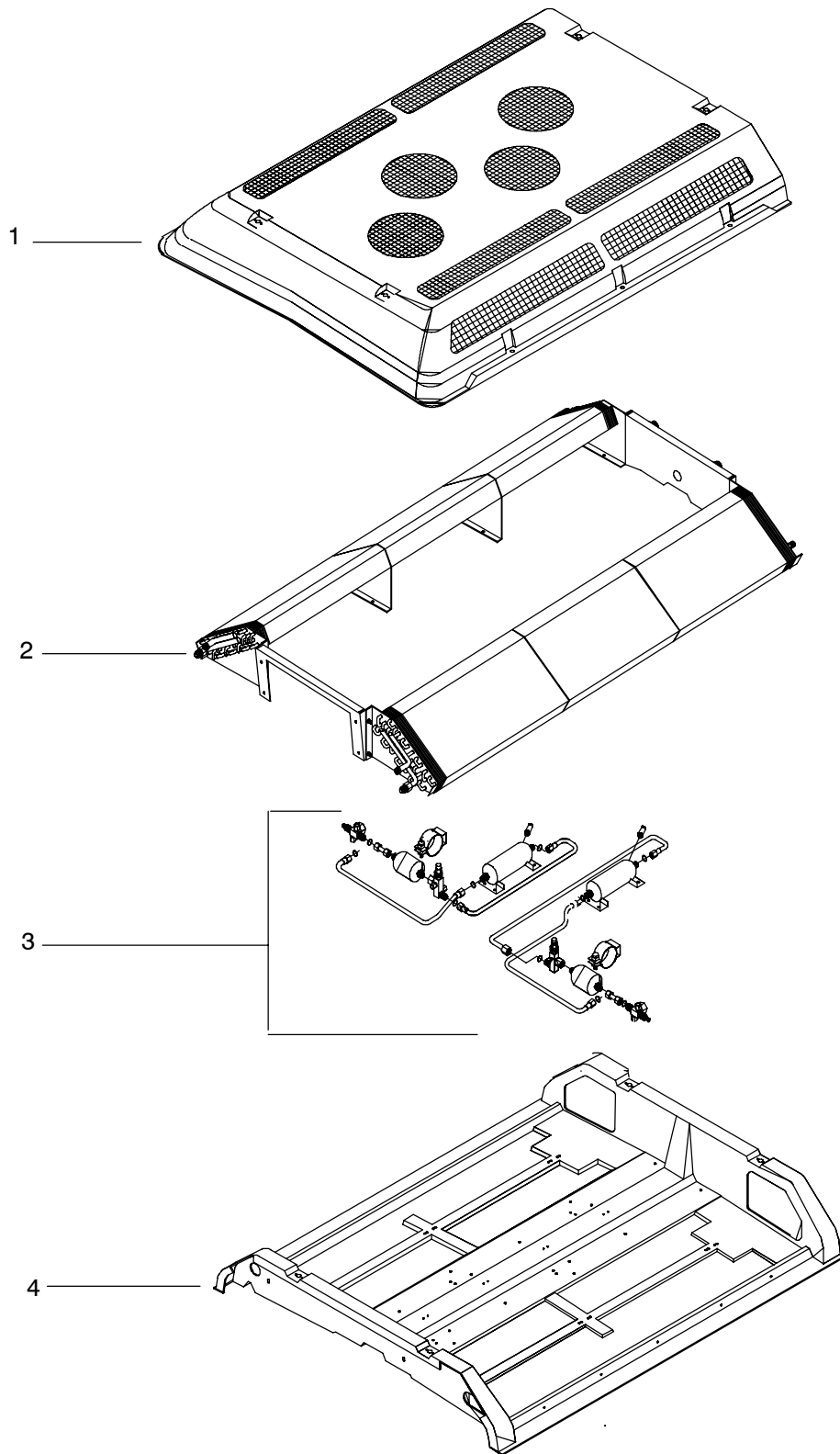
PL *Purchase Locally.*

SST *Stainless Steel* - 300 Series unless otherwise specified.

SV *Suffix SV* added to part number designates service replacement part.

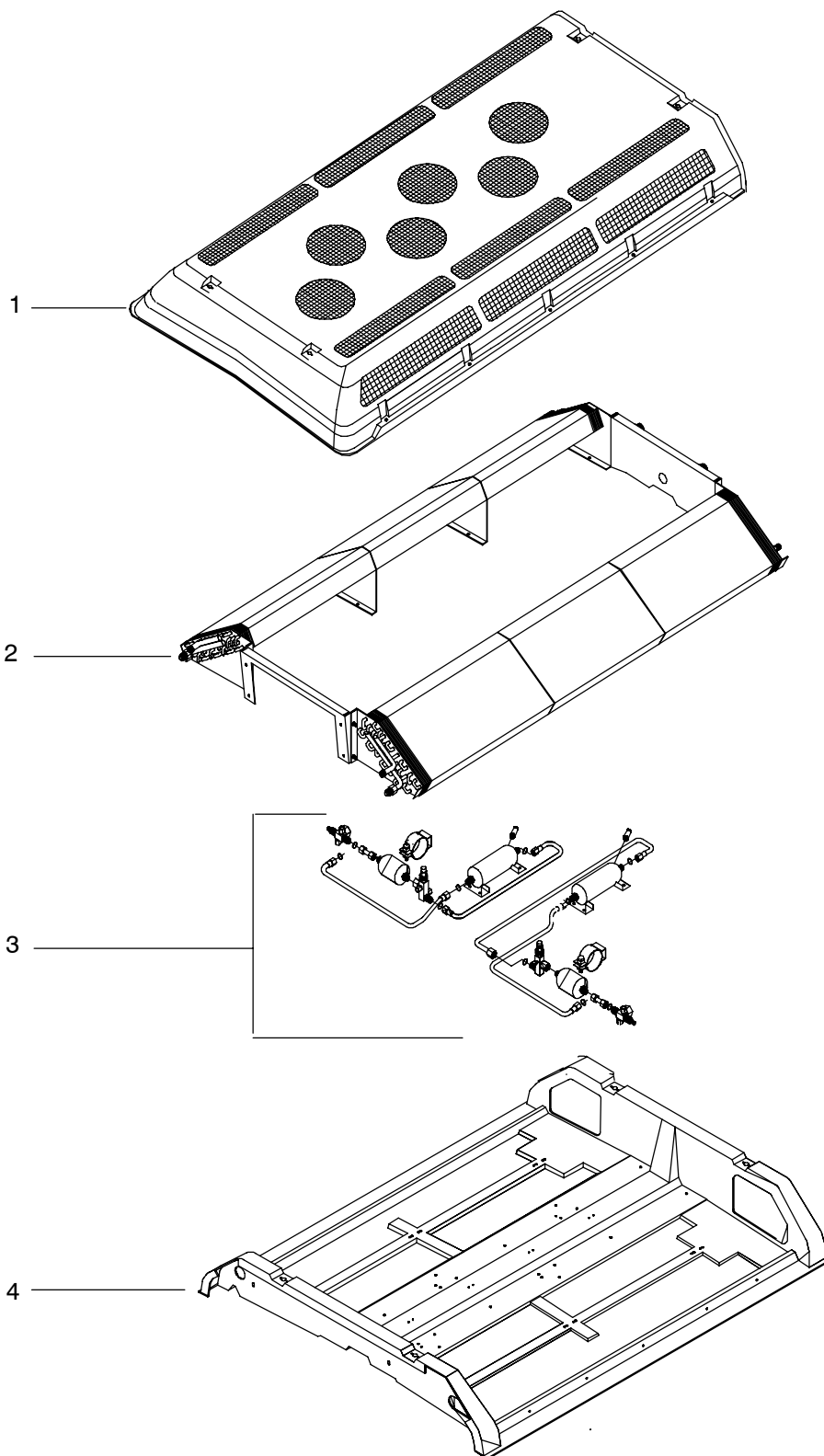
NS *Not Shown* on illustration.

**1 CONDENSER ASSEMBLY - AC310**



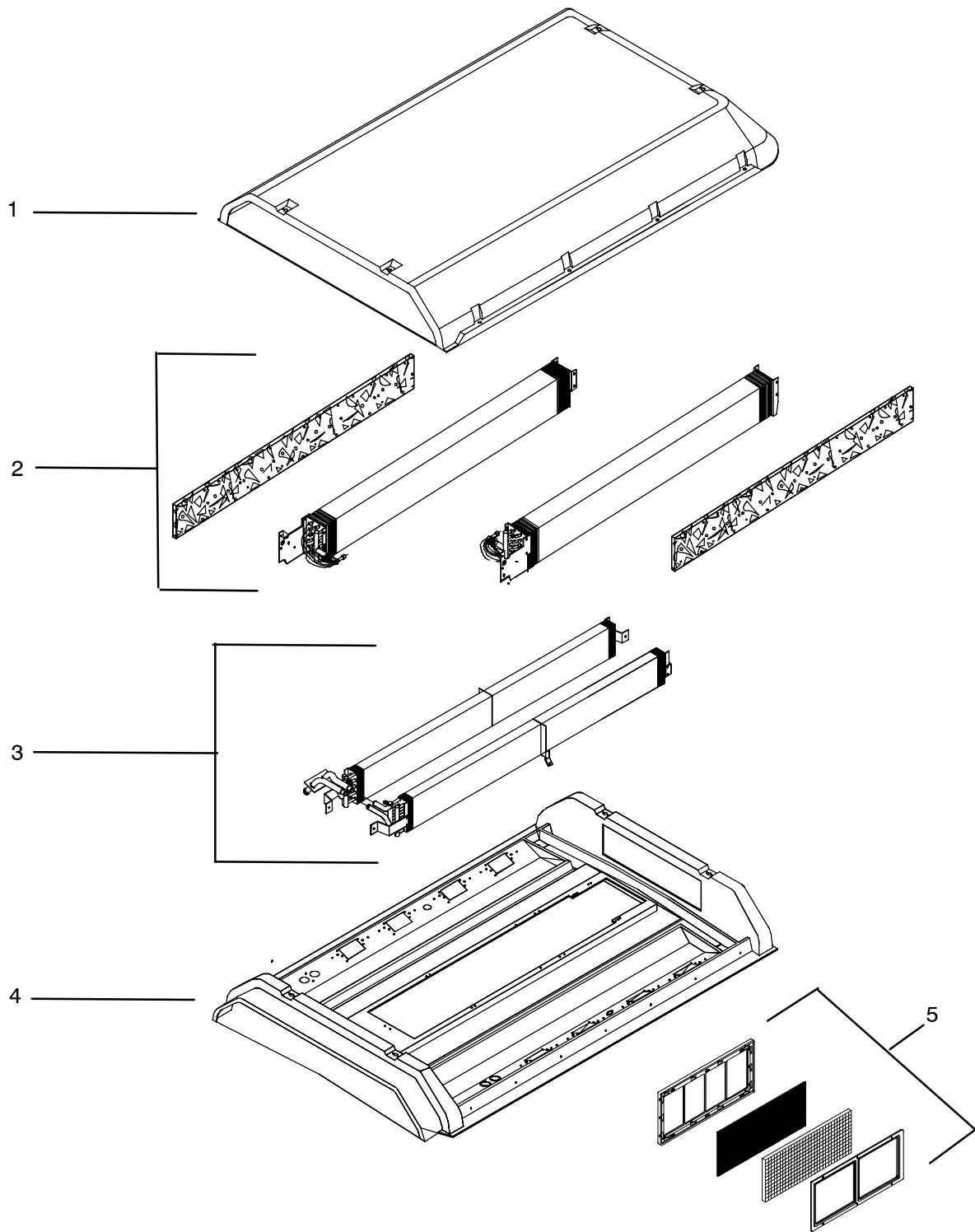
Item	Description
1	Cover (Refer to Section 5)
2	Cooling System (Refer to Sections 10 & 11)
3	Tubing Assemblies, (Refer to Section 10 & 11)
4	Frame (Refer to Section 5)

**2 CONDENSER ASSEMBLY - AC350**



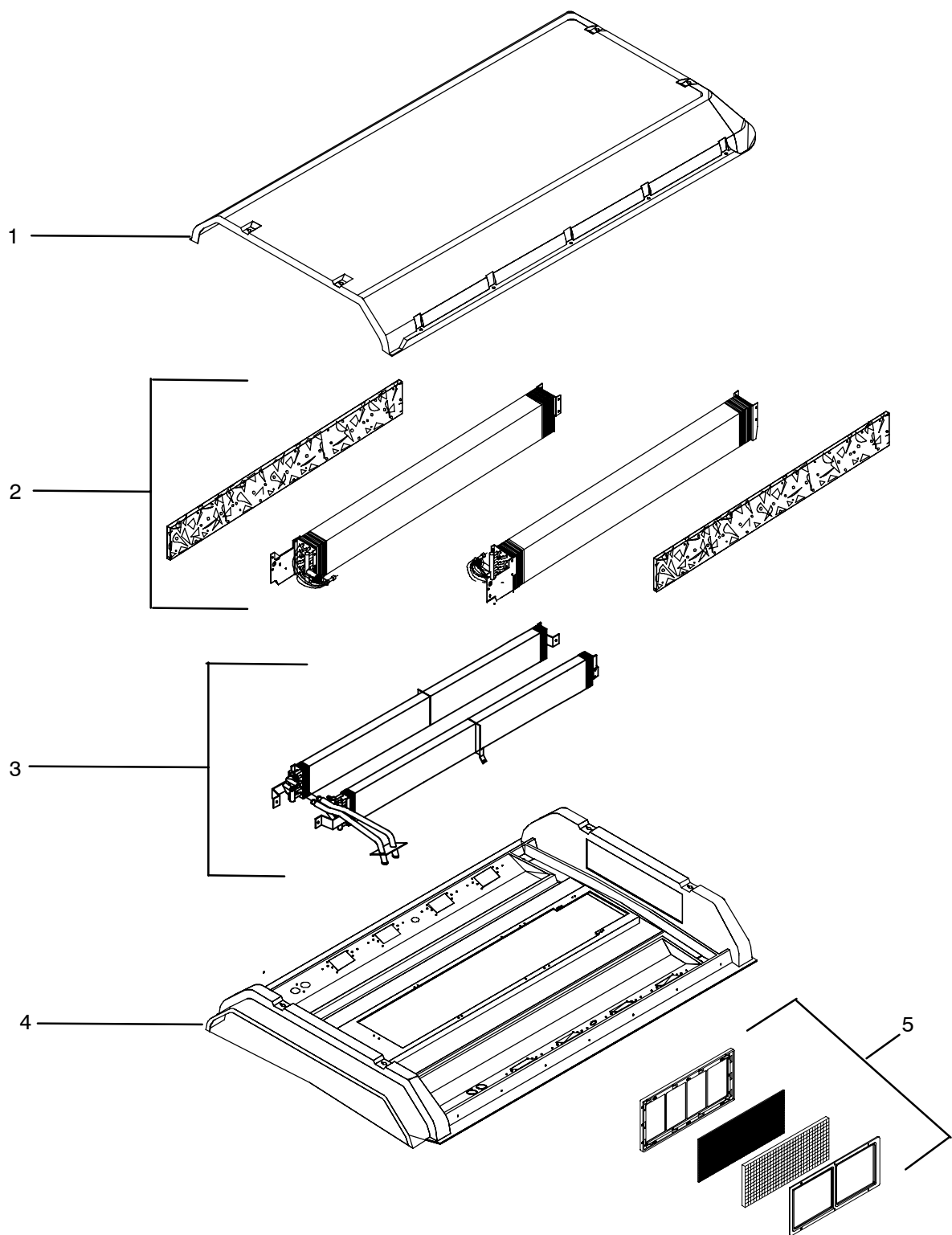
Item	Description
1	Cover (Refer to Section 6)
2	Cooling System (Refer to Sections 10 & 11)
3	Tubing Assemblies, (Refer to Section 10 & 11)
4	Frame (Refer to Section 6)

**3 EVAPORATOR ASSEMBLY - AC310**



Item	Description
1	Cover (Refer to Section 5)
2	Coils and Filters (Refer to Sections 7 & 5)
3	Heat Coils (Refer to Section 14)
4	Frame (Refer to Section 5)
5	Return Air Filter Assembly (Refer to Section 13)

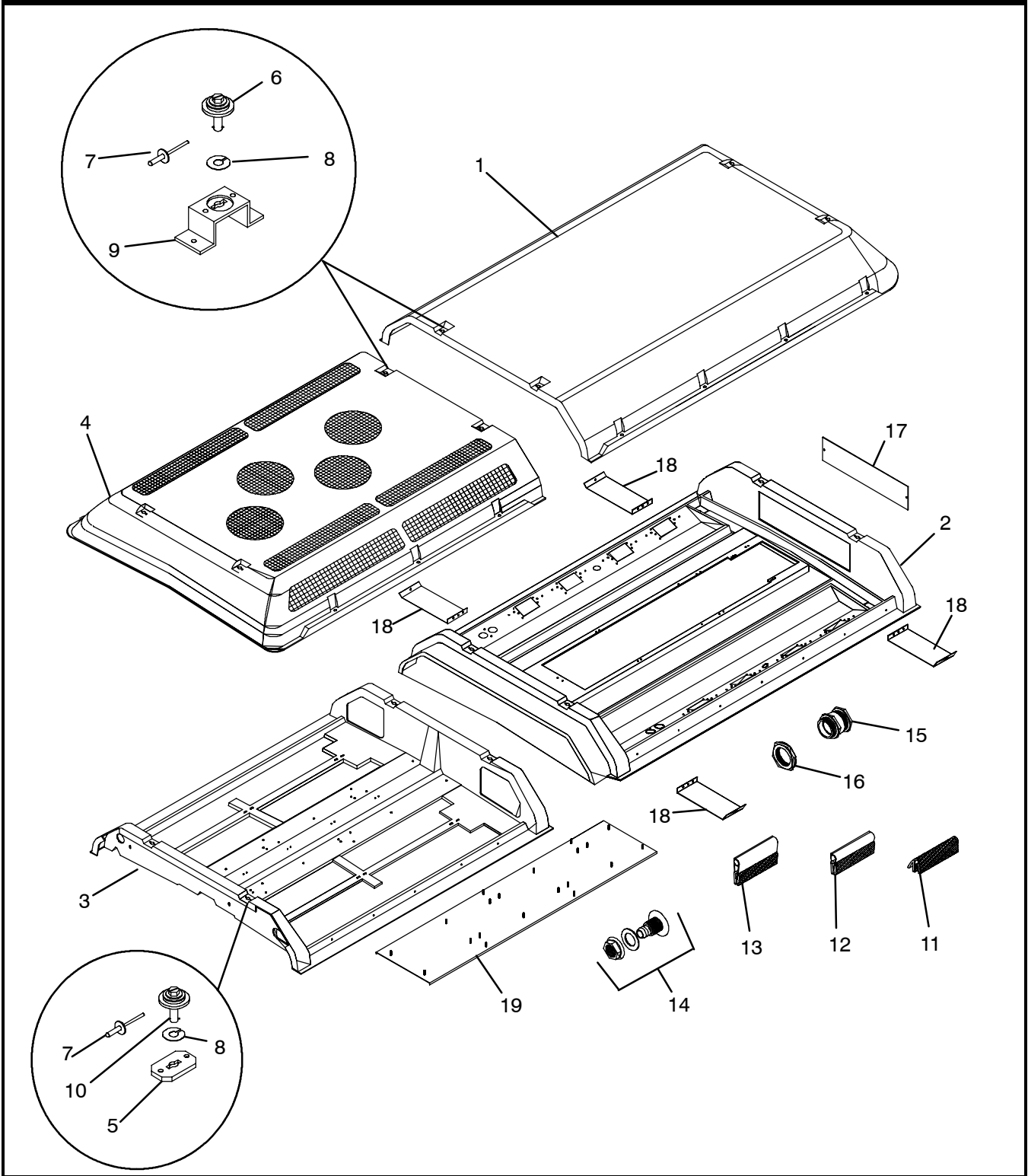
**4 EVAPORATOR ASSEMBLY - AC350**



Item	Description
1	Cover (Refer to Section 9)
2	Coils and Filters (Refer to Sections 9)
3	Heat Coils (Refer to Section 14)
4	Frame (Refer to Section 9)
5	Return Air Filter Assembly (Refer to Section 13)



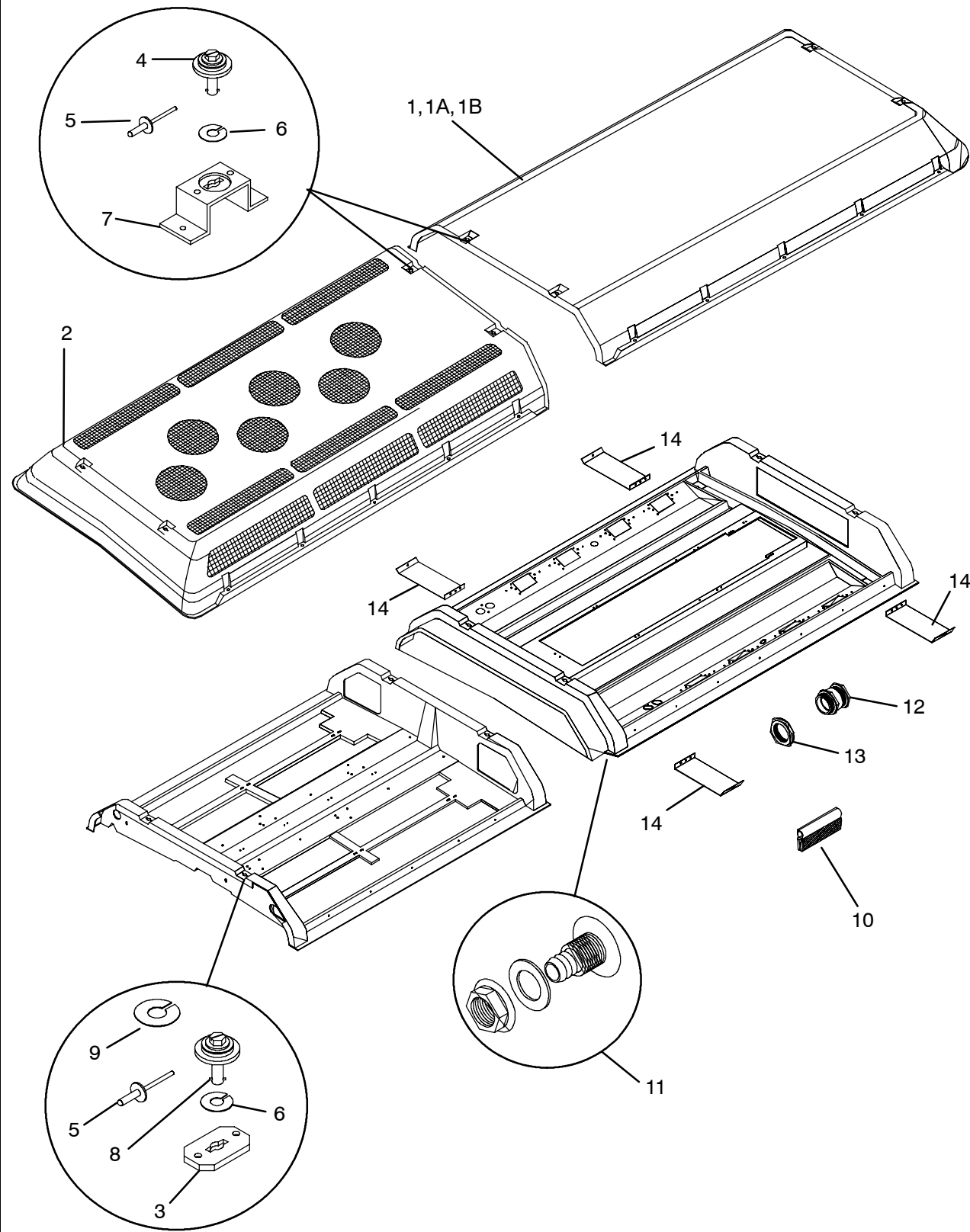
5 FRAMES AND COVERS - AC310



**5 FRAMES AND COVERS - AC310 - Continued:**

<b>Item</b>	<b>Part Number</b>	<b>Description</b>	<b>Qty</b>
1	75-25-05-301	Cover, Evaporator	1
2	75-25-05-300	Frame, Evaporator	1
3	75-25-05-115	Frame, Condenser	1
4	75-25-05-116	Cover, Condenser	1
5	34-62016-00	Lock, Base	8
6	32-24-01-013	Bolt, Locking	14
7	32-10-10-500	Rivet	16
8	32-24-01-016	Washer, Retaining	22
9	32-24-01-039	Lock, Base	14
10	32-24-01-034	Bolt, Locking	8
11	21-03-51-010	Gasket, (Profiled Joint) X 40 Feet Long	1
12	21-03-51-025	Gasket, (Profiled Joint) X 33 Feet Long	1
13	21-03-51-003	Gasket, (Profiled Joint) X 33 Feet Long	1
14	22-25-05-001	Connector Assembly, Water Drain	4
15	26-27-03-015	Bushing, Cable (GU PG36)	1
	26-27-03-013	Bushing, Cable (GU PG29)	1
	26-27-03-011	Bushing, Cable (GU PG21)	1
16	26-27-07-008	Nut (For Cable Bushing PG36)	1
	26-27-07-007	Nut (For Cable Bushing PG29)	1
	26-27-07-006	Nut (For Cable Bushing PG21)	1
17	15-03-10-011	Cover, Fresh Air	1
18	15-07-16-027	Cover, Drain Pan	4
19	10-55-01-027	Bracket, Condenser Motor	1

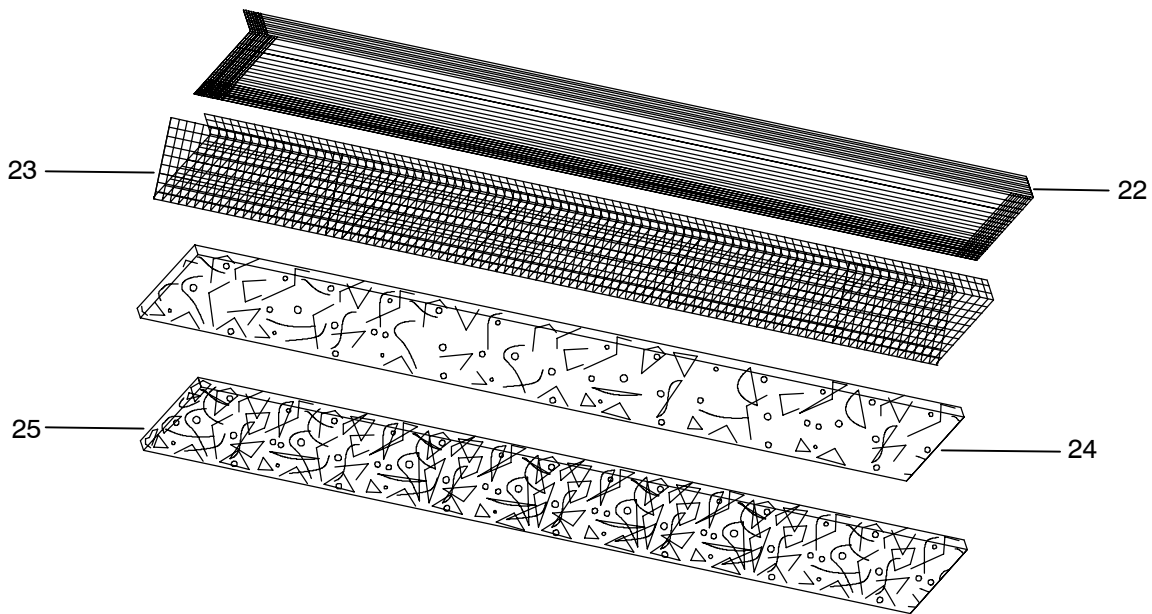
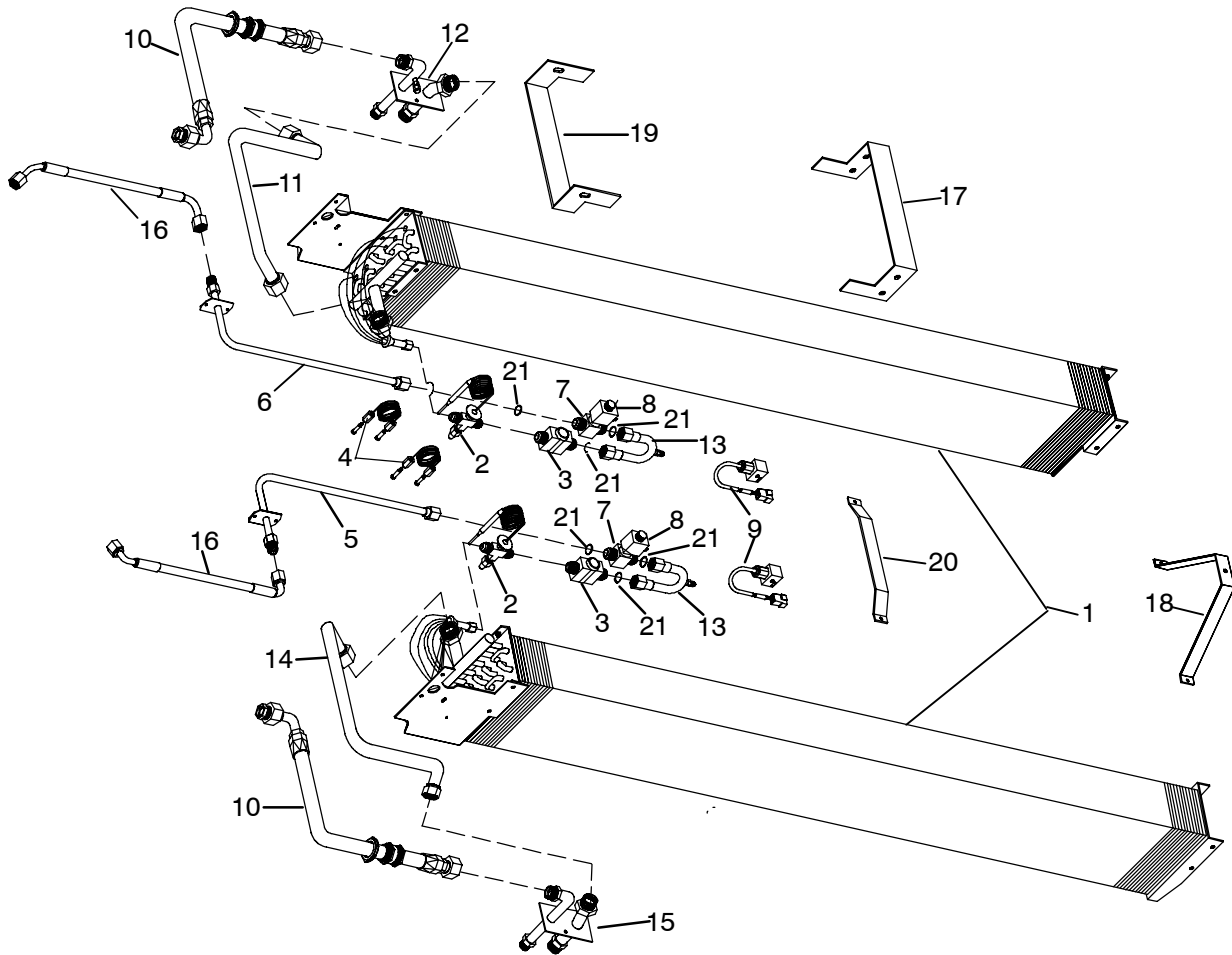
6 FRAMES AND COVERS - AC350



**6 FRAMES AND COVERS - AC350 - Continued:**

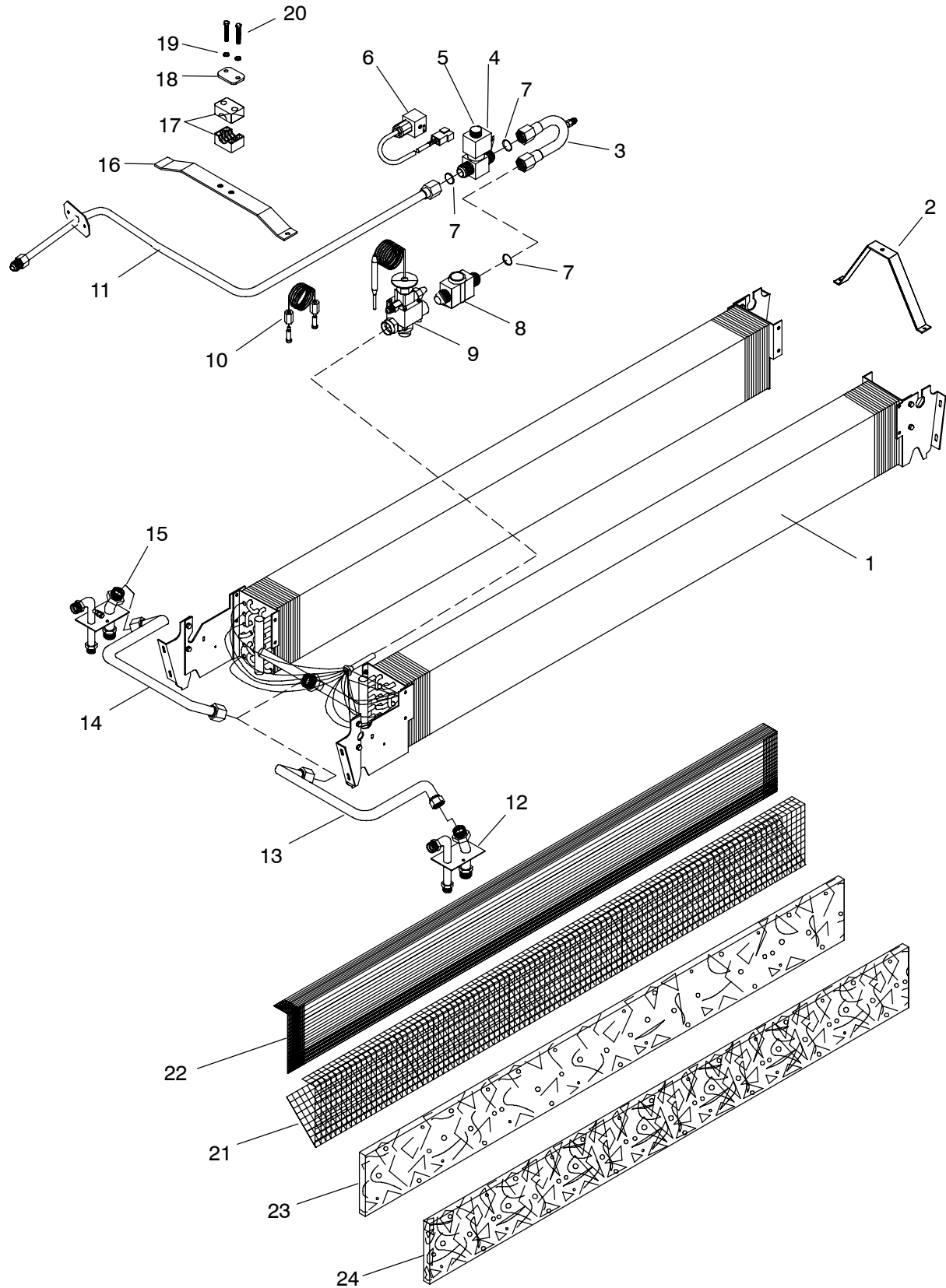
<b>Item</b>	<b>Part Number</b>	<b>Description</b>	<b>Qty</b>
1	75-47-05-328-00	Cover, Evaporator (For 77-62041-01 & -06)	1
1A	15-03-01-709	...Insulation, Evaporator Cover	1
1B	15-03-01-927	...Tape, Insulation	2
2	75-47-05-431	Cover Condenser (For 77-62041-01 & -06)	1
3	34-62016-00	Lock, Base	A/R
4	32-24-01-013	Bolt, Locking	A/R
5	32-10-10-500	Rivet	A/R
6	32-24-01-016	Washer, Retaining	A/R
7	32-24-01-039	Lock, Base	A/R
8	32-24-01-034	Bolt, Locking	A/R
9	32-03-03-013	Washer	A/R
10	21-03-51-025	Gasket, (Profiled Joint) X 33 Feet Long	1
11	22-25-05-001	Connector Assembly, Water Drain	4
12	26-27-03-015	Bushing, Cable (GU PG36)	2
	26-27-03-013	Bushing, Cable (GU PG29)	1
13	26-27-07-008	Nut (For Cable Bushing PG36)	2
	26-27-07-007	Nut (For Cable Bushing PG29)	1
14	15-07-16-027	Cover, Drain Pan	4

7 COOLING SYSTEM COMPONENTS, EVAPORATOR, DUAL LOOP - AC310 - GEN I



<b>7 COOLING SYSTEM COMPONENTS, EVAPORATOR, DUAL LOOP - AC310 - GEN I</b>			
<b>Item</b>	<b>Part Number</b>	<b>Description</b>	<b>Qty</b>
1	75-01-01-073	Coil Assembly, Evaporator, (Includes 1-Curbside and 1-Roadside Coil)	1
2	24-04-01-173	Expansion Valve, (R134a)	2
3	24-07-10-018	Sightglass	2
4	24-04-75-014	Equalizer Line	2
5	10-60-03-098	Tube Assembly, Liquid Line to Solenoid Valve	1
6	10-60-03-066	Tube Assembly, Liquid Line to Solenoid Valve	1
7	22-05-12-018	Valve, Solenoid, 12 Volt, Includes:	2
8	22-05-13-007	.....Coil, Magnetic, 12 Volt	2
9	22-05-13-100	.....Connector, Harness	2
10	10-60-21-018	Tube Assembly, Discharge	2
11	10-60-01-031	Tube Assembly, Suction	1
12	10-60-01-086	Connection Assembly, Right	1
13	10-60-03-068	Tube Assembly, Liquid Line (Solenoid Valve to Sight Glass)	2
14	10-60-01-030	Tube Assembly, Suction Line, Left	1
15	10-60-01-087	Connection Assembly, Left	1
16	10-60-21-048	Tube Assembly, Liquid Line	2
17	10-19-03-013	Plate, Upper Support	1
18	10-19-03-015	Plate. Middle Support	1
19	10-19-04-014	Plate, Lower Support	1
20	15-04-16-024	Plate, Support, Expansion Valve	1
21	32-23-26-236	Gasket, 7/8 inch (Flare Washer)	6
22	21-08-07-007	Filter Mat, PPI, AC310	2
23	20-08-09-020	Support, Filter	2
24	21-08-06-014	Filter Mat, White, (Evaporator Coil)	2
25	21-08-03-011	Filter Mat, Black, (Evaporator Coil - Without Heating)	2

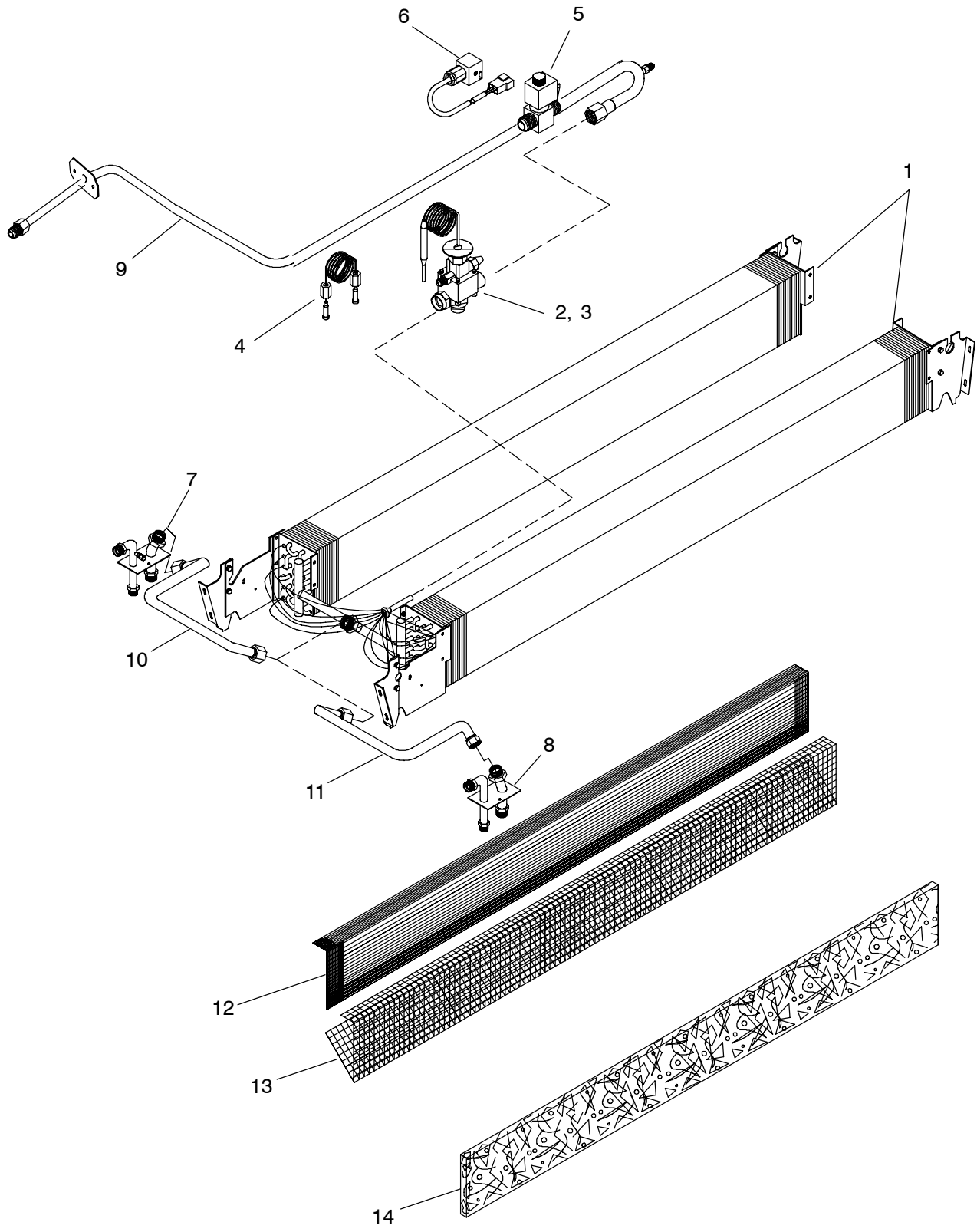
8 COOLING SYSTEM COMPONENTS, EVAPORATOR, SINGLE LOOP - AC310 - GEN I



<b>8 COOLING SYSTEM COMPONENTS, EVAPORATOR, SINGLE LOOP - AC310 - GEN I</b>			
<b>Item</b>	<b>Part Number</b>	<b>Description</b>	<b>Qty</b>
1	75-01-01-045	Coil Assembly, Evaporator, (Includes 1-Curbside and 1-Roadside Coil)	1
2	10-19-03-015	Plate, Middle Support	1
3	10-60-03-056	Tube Assembly, Liquid Line (Solenoid Valve to Sight Glass)	1
4	22-05-12-018	Valve, Solenoid, 12 Volt, Includes:	1
5	22-05-13-007	.....Coil, Magnetic, 12 Volt	1
6	22-05-13-100	.....Connector, Harness	1
7	32-23-26-236	Gasket, 7/8 inch (Flare Washer)	3
8	24-07-10-018	Sightglass	1
9	24-04-01-105	Expansion Valve, (R134a)	1
10	24-04-75-014	Equalizer Line	1
11	10-60-03-055	Tube Assembly, Liquid Line to Solenoid Valve	1
12	10-60-01-017	Connection Assembly, Left	1
13	10-60-01-019	Tube Assembly, Suction Line, Left	1
14	10-60-01-018	Tube Assembly, Suction Line, Right	1
15	10-60-01-016	Connection Assembly, Right	1
16	15-04-16-024	Plate, Support, Expansion Valve	1
17	32-15-30-852	Clamp, Tube	2
18	32-15-30-935	Cover Plate	1
19	32-04-01-012	Washer, Spring, J6, 4	2
20	32-01-02-049	Bolt, M6 X 40	2
21	20-08-09-020	Support, Filter	2
22	21-08-07-007	Filter Mat, PPI, AC30	2
23	21-08-06-014	Filter Mat, White, (Evaporator Coil)	2
24	21-08-03-011	Filter Matt, Black, (Evaporator Coil - Without Heating)	2

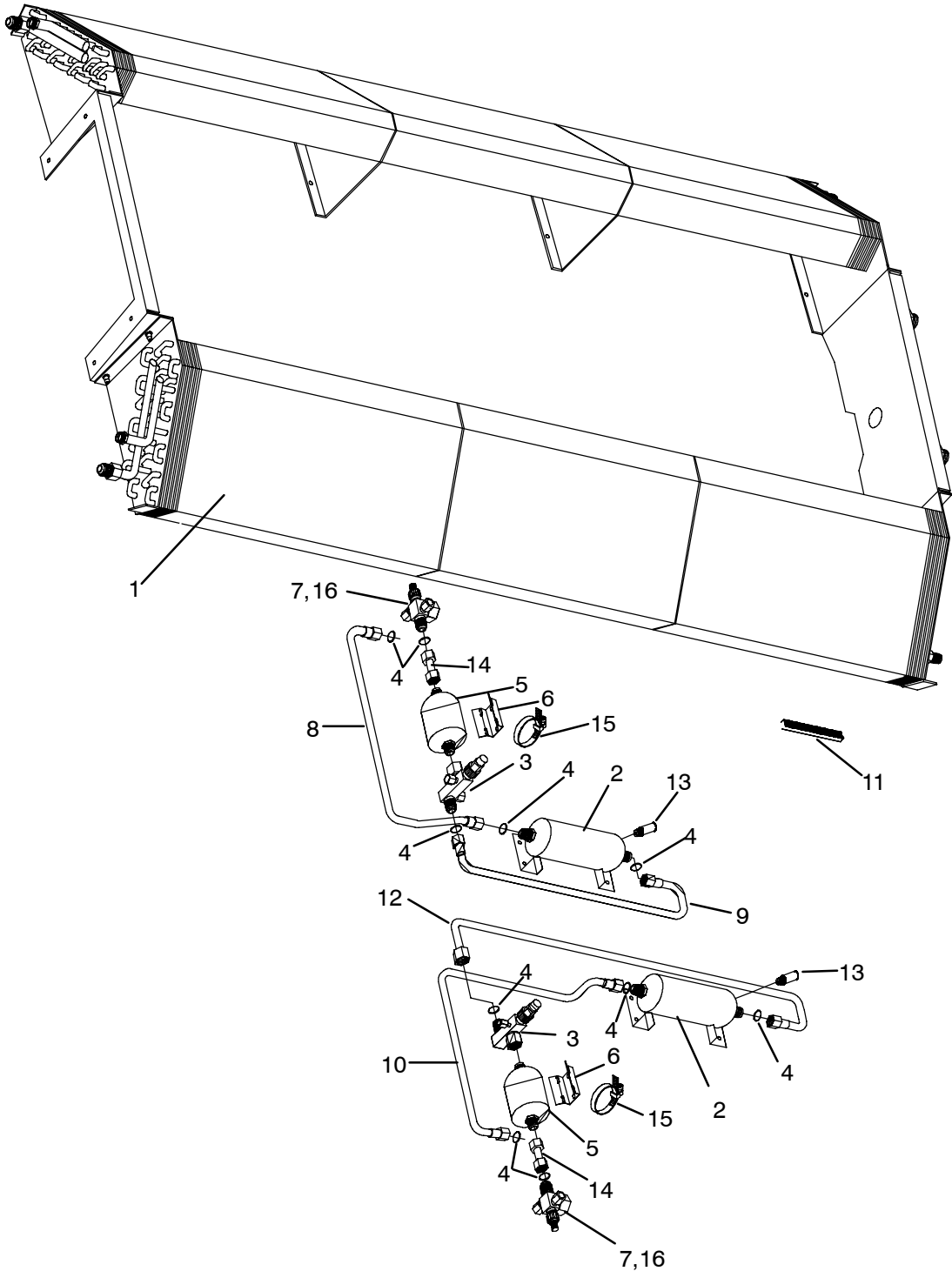


9 COOLING SYSTEM COMPONENTS, EVAPORATOR, SINGLE LOOP - AC350 GEN II



<b>9 COOLING SYSTEM COMPONENTS, EVAPORATOR, SINGLE LOOP - AC350/AC310 - GEN II</b>			
<b>Item</b>	<b>Part Number</b>	<b>Description</b>	<b>Qty</b>
1	75-01-01-184	Coil Assembly, Evaporator, ORFS, (Left & Right Coil Assemblies)	1
2	24-04-01-180	Expansion Valve, (R134a)	1
3	42-00243-11	Gasket, ORFS For Expansion Valve	1
4	24-04-75-014	Equalizer Line	1
5	22-05-13-013	Coil, Magnetic, 27 Volt	1
6	78-07-01-003	Connector, Harness	1
7	10-60-01-016	Connection Assembly, Right	1
8	10-60-01-017	Connection Assembly, Left	1
9	10-60-03-117	Liquid Line ORFS	1
10	10-60-01-018	Suction Line, Right	1
11	10-60-01-019	Suction Line, Left	1
12	21-08-07-008	Filter Mat, PPI, AC310	2
13	20-08-09-021	Filter, Carrier	2
14	21-08-15-012	Filter Matt, Black, (Evaporator Coil - Without Heating)	2

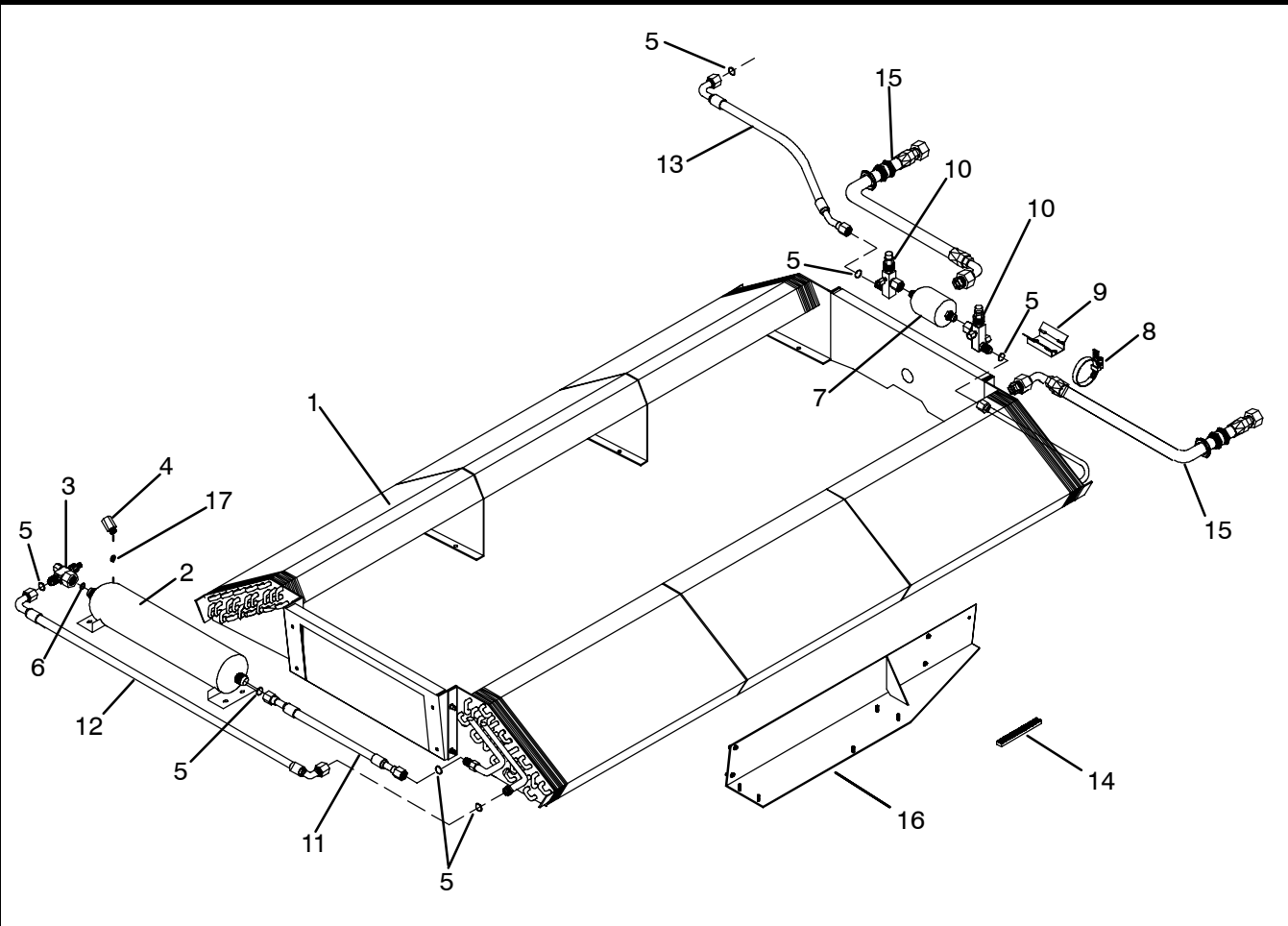
10 COOLING SYSTEM COMPONENTS-CONDENSER, DUAL LOOP - AC310 - GEN I



**10 COOLING SYSTEM COMPONENTS, CONDENSER, DUAL LOOP - AC310 - GEN I**

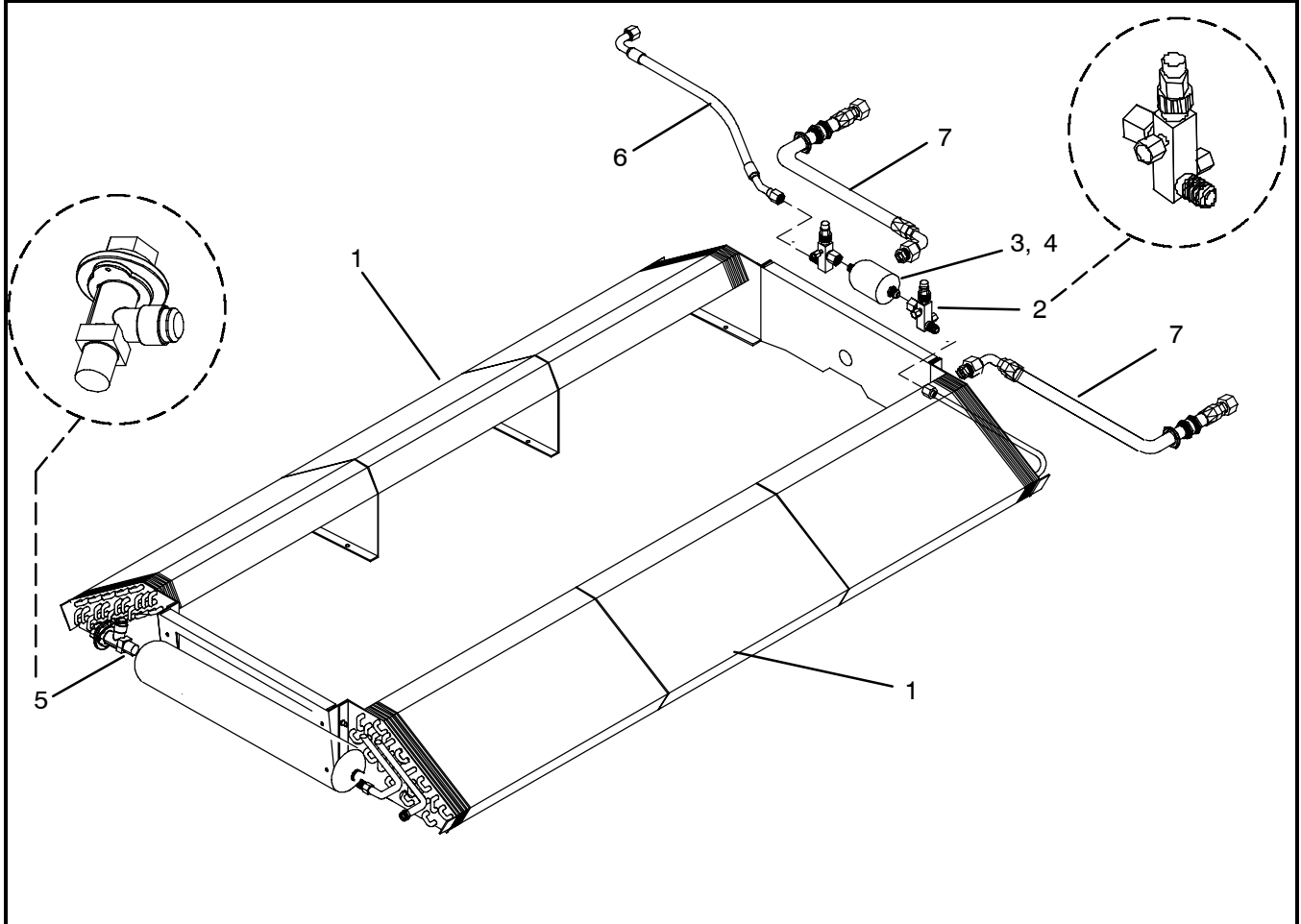
<b>Item</b>	<b>Part Number</b>	<b>Description</b>	<b>Qty</b>
1	24-02-11-153	Condenser Coil Assembly, O-Ring Ftg (Includes 1 Road & 1 Curbside Coil)	1
	24-02-11-151	Condenser Coil Assembly, Flare Ftg. (Includes 1 Road & 1 Curbside Coil)	1
2	10-63-01-013	Receiver Tank	2
3	22-05-15-100	Valve, Shut-Off	2
4	32-23-26-236	Gasket, 7/8 inch (Flare Washer)	10
	32-23-10-001	O-Ring, 1 Inch, Teflon	10
5	24-06-01-026	Drier, Filter	2
6	32-15-11-005	Clamp, Filter Drier	4
7	22-05-15-305	Valve, Shut-Off	2
8	10-60-03-026	Tube Assembly, Liquid Line, Receiver Inlet	1
9	10-60-03-027	Tube Assembly, Liquid Line, Receiver Outlet	1
10	10-60-03-028	Tube Assembly, Liquid Line, Receiver Inlet	1
11	21-10-01-015	Tape, Foam Rubber 6mm X 12mm X 10 Meters Long	1
12	10-60-03-029	Tube Assembly, Liquid Line, Receiver Outlet	1
13	24-04-02-005	Valve, Pressure Relief	2
14	10-60-71-003	Tube Assembly, Filter Drier Outlet	2
15	15-07-12-002	Bracket, Filter Drier	2
16	17-31205-00	Ring, Teflon (White)	2

# 11 COOLING SYSTEM COMPONENTS, CONDENSER, SINGLE LOOP - AC310 - GEN I



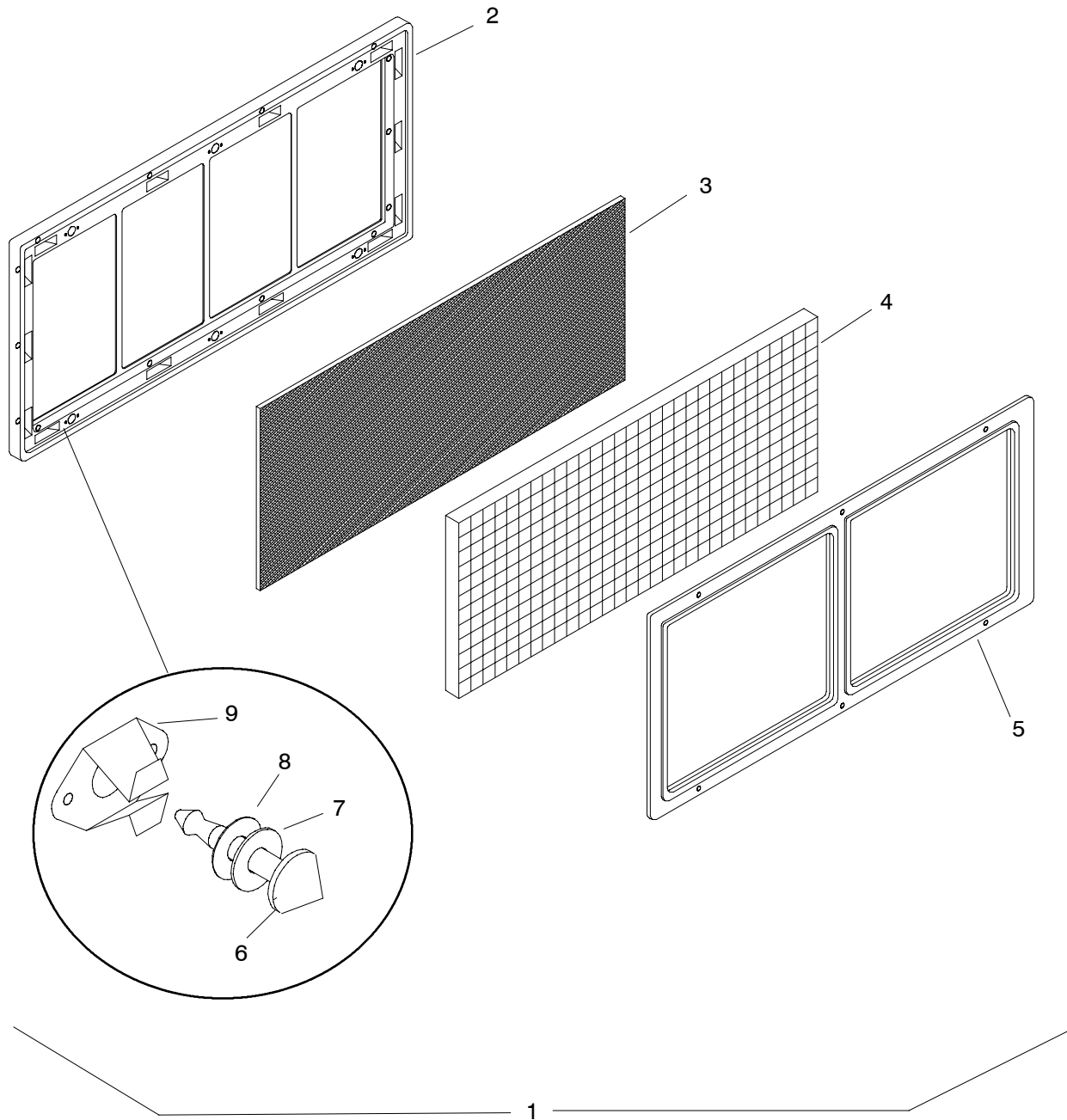
Item	Part Number	Description	Qty
1	24-02-11-201	Condenser Coil Assembly, (Includes 1 Roadside and 1 Curbside Coil)	1
2	10-63-01-010	Receiver Tank	1
3	22-05-15-305	Valve, Shut-Off, Receiver	1
4	24-04-02-005	Valve, Safety	1
5	32-23-26-236	Gasket, 7/8 inch (Flare Washer)	7
6	17-31205-00	Ring, Teflon (White)	1
7	24-06-01-026	Drier, Filter	1
8	32-15-11-005	Clamp, Filter Drier	2
9	15-07-12-001	Bracket, Filter Drier	1
10	22-05-15-100	Valve, Shut-Off, Filter Drier	2
11	10-60-22-023	Tube Assembly, Liquid Line, Receiver Inlet	1
12	10-60-22-033	Tube Assembly, Liquid Line, Receiver Outlet	1
13	10-60-22-035	Tube Assembly, Filter Drier Outlet	1
14	21-10-01-015	Tape, Foam Rubber, 6mm X 12mm X 10 Meters Long	1
15	10-60-21-018	Tube Assembly, Discharge Line, Left or Right	2
16	10-55-05-004	Plate, Support	1
17	32-23-05-069	O-Ring	1

**12 COOLING SYSTEM COMPONENTS, CONDENSER, SINGLE LOOP - AC350 - GEN II**



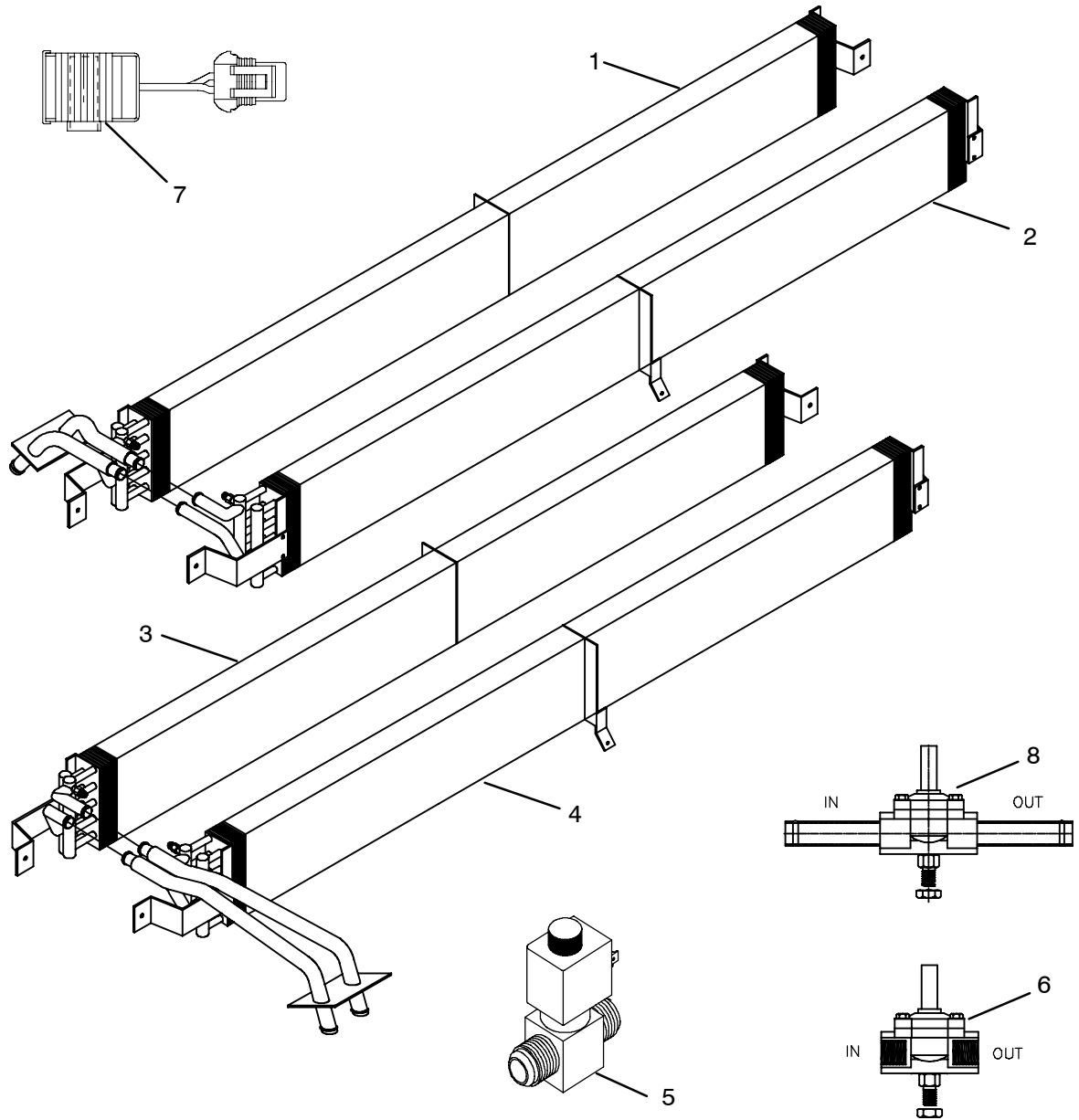
Item	Part Number	Description	Qty
1	75-65-04-004	Condenser Coil Assembly, (Both Coils With Receiver Tank)	1
2	22-05-15-310	Valve, Shut-Off, Filter Drier, 3/4-16 x 7/8-14	2
3	14-00326-05	Drier, Filter, ORFS, 1/2 ORS	1
4	42-00243-04	O-Ring For Filter Drier ORS	2
5	14-00345-00	Valve, Pressure Relief (Regulating Spring)	1
6	10-60-22-060	Liquid Line, Filter Drier Outlet	1
7	10-60-21-018	Discharge Line, Right or Left	2

### 13 RETURN AIR FILTER & FRAME ASSEMBLY (EVAPORATOR)



Item	Part Number	Description	Qty
1	75-19-01-030	Return Air Filter and Frame Assembly - AC310 & AC350 - Includes:	2
2	10-85-03-043	.....Frame, Composite	1
3	21-08-06-019	.....Filter Mat, Return Air	1
4	10-85-03-047	.....Grille, Diffuser, White	1
5	10-85-03-044	.....Cover, Frame	1
6	32-24-01-058	.....Bolt, Locking, (1/4 Turn)	6
7	32-24-01-060	.....Washer, Thrust , Steel	6
8	32-24-01-059	.....Washer, Retaining, Mylar	6
9	32-15-45-002	.....Clip, Retaining	12

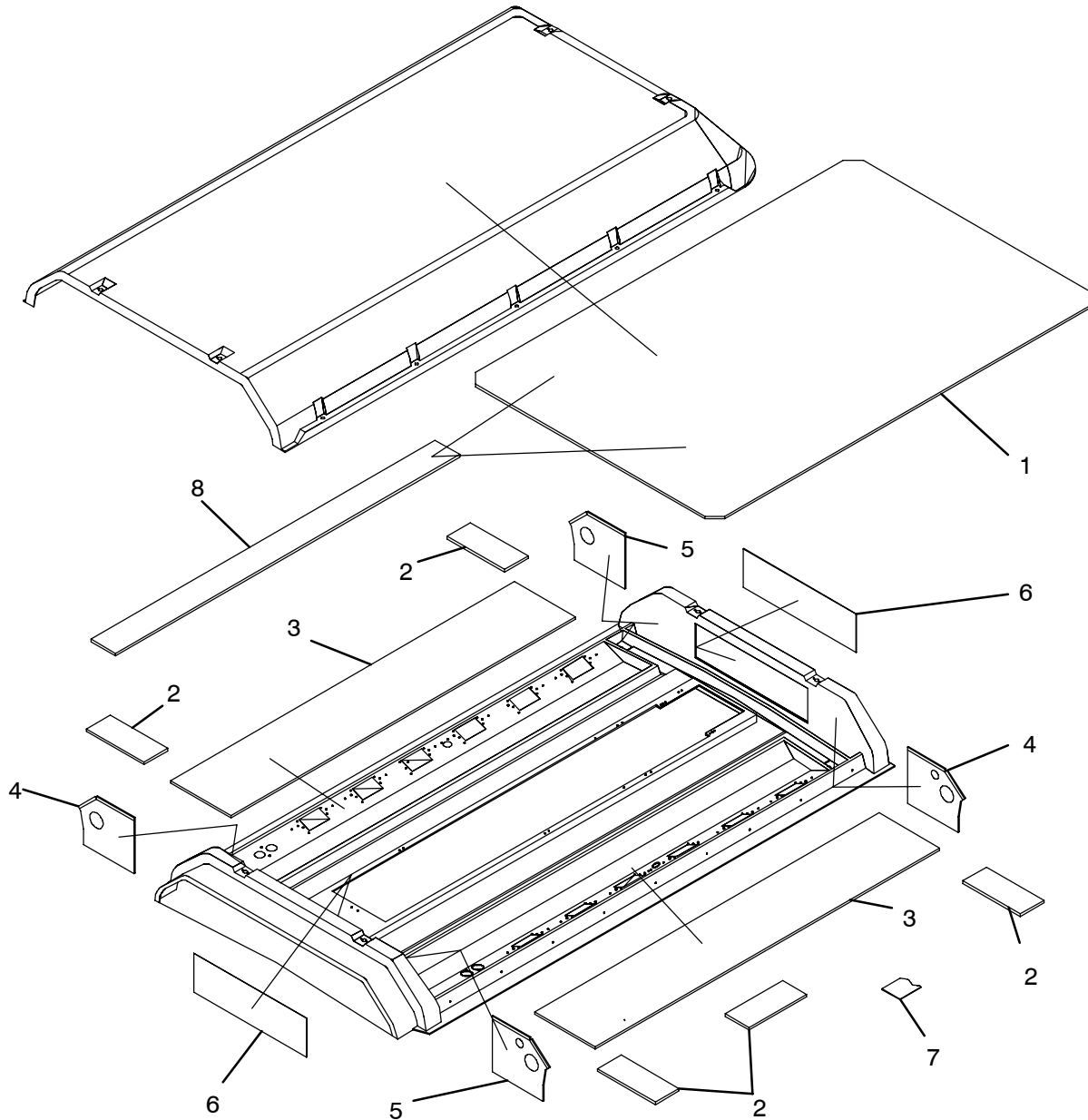
14 HEATING SYSTEM AC310 & AC350 - GEN I & GEN II



Item	Part Number	Description	Qty
1	24-11-10-066	Heater Coil, Right, AC310	1
2	24-11-10-062	Heater Coil, Left, AC310	1
3	24-11-10-064	Heater Coil, Right, AC350	1
4	24-11-10-069	Heater Coil, Left, AC350	1
5	CM258-514	Valve, Solenoid, 3/4 Inch NPT Female, With 24 VDC Coil - Includes:	1
6	14-00299-00	.....Valve , Solenoid, 3/4 Inch NPT Female, Without Coil	1
7	14-01110-02	.....Coil, Solenoid, 24 VDC With Connector	1
	14-01110-01	Coil, Solenoid, 12 VDC With Connector (Reference)	1
8	14-00299-01	Valve , Solenoid, 3/4 Inch O.D. Beaded, Without Coil	1

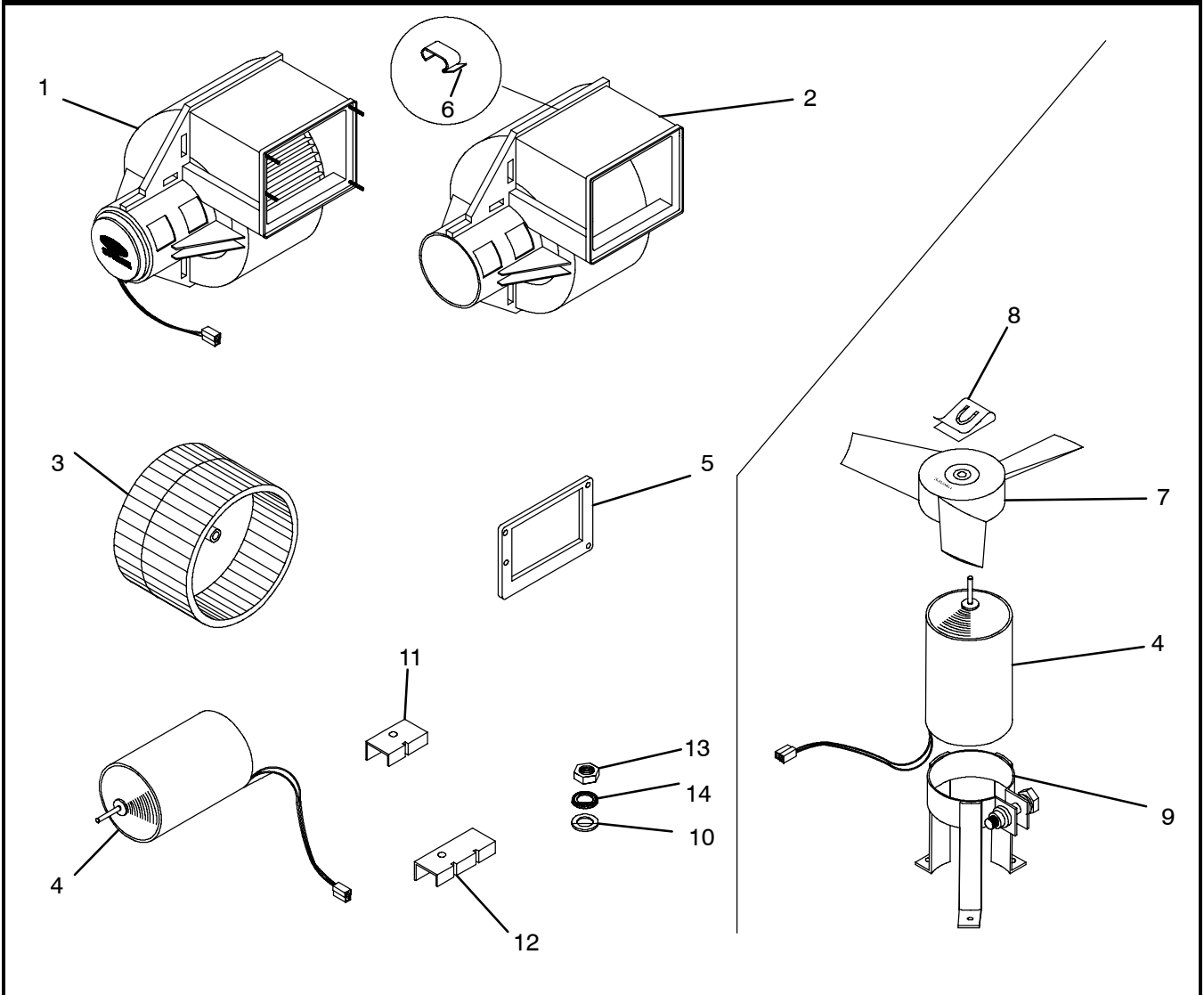


**15 EVAPORATOR HOUSING INSULATION - AC310 - GEN I**



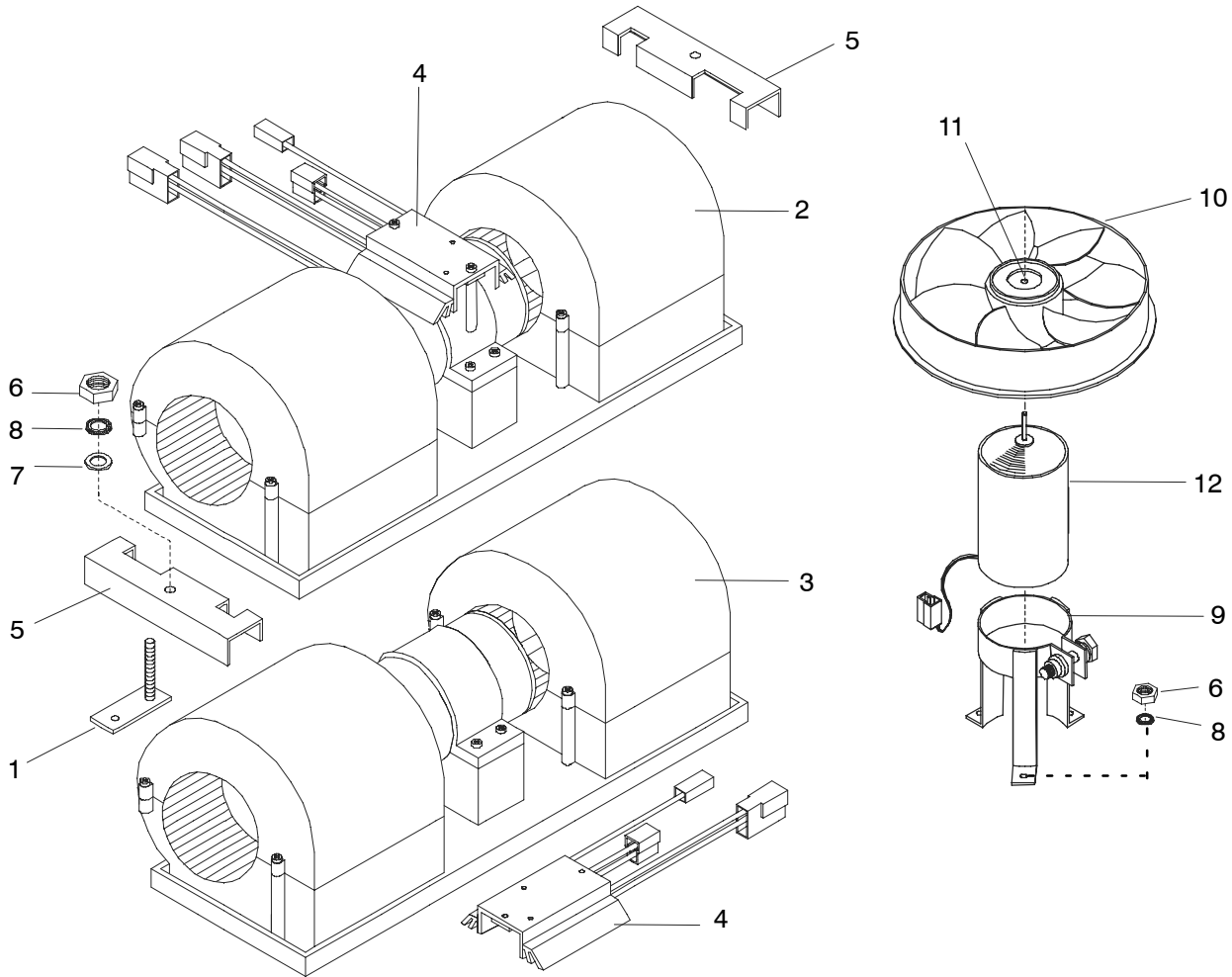
Item	Part Number	Description	Qty
1	15-03-01-703	Insulation, Cover	1
2	15-03-01-708	Insulation, Drain Water	8
3	15-03-01-704	Insulation, Bottom Housing	2
4	15-03-01-706	Insulation, Right	2
5	15-03-01-707	Insulation, Left	2
6	15-03-01-717	Insulation, Middle	2
7	21-10-02-002	Tape, Foam Rubber , 50mm X 2mm X 2 Meters Long	1
8	15-02-01-926	Insulation, Cover	2

**16 EVAPORATOR BLOWER AND CONDENSER FAN- AC310 - GEN I**



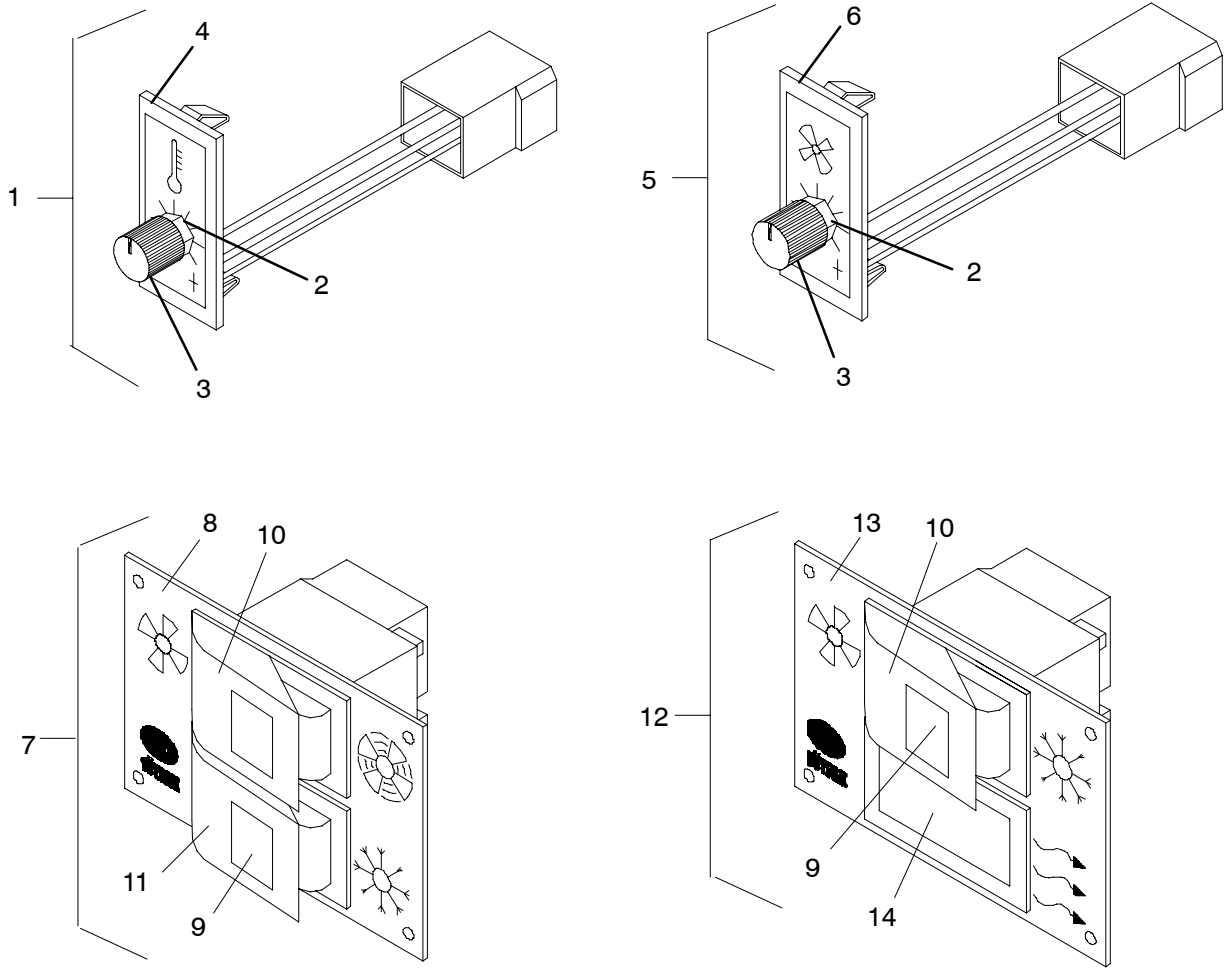
Item	Part Number	Description	Qty
1	28-20-01-203	Blower Assembly, 12 VDC	8
	28-20-01-003	Blower Assembly, 24 VDC	8
2	28-22-05-003	Blower Housing	8
3	28-22-01-003	Blower Wheel	8
4	28-02-05-013	Motor, Electric, 12 VDC	12
	28-02-10-015	Motor, Electric, 24 VDC	12
5	28-22-07-050	Gasket, Motor	8
6	28-22-07-001	Clamp	64
7	28-23-01-024	Fan Blade	4
8	34-62017-00	Clamp, Fan	4
9	86-62216-00	Bracket, Motor Support	4
10	32-03-03-007	Washer, B6-4	4
11	10-37-03-023	Bracket, Blower Mounting	8
12	10-37-03-024	Bracket, Blower Mounting	8
13	32-02-14-011	Nut, M6	16
14	32-04-01-012	Washer, Toothlock, J6-4	16

**17 EVAPORATOR BLOWER AND CONDENSER FAN - LOW NOISE - AC310 & AC350 - GEN II**



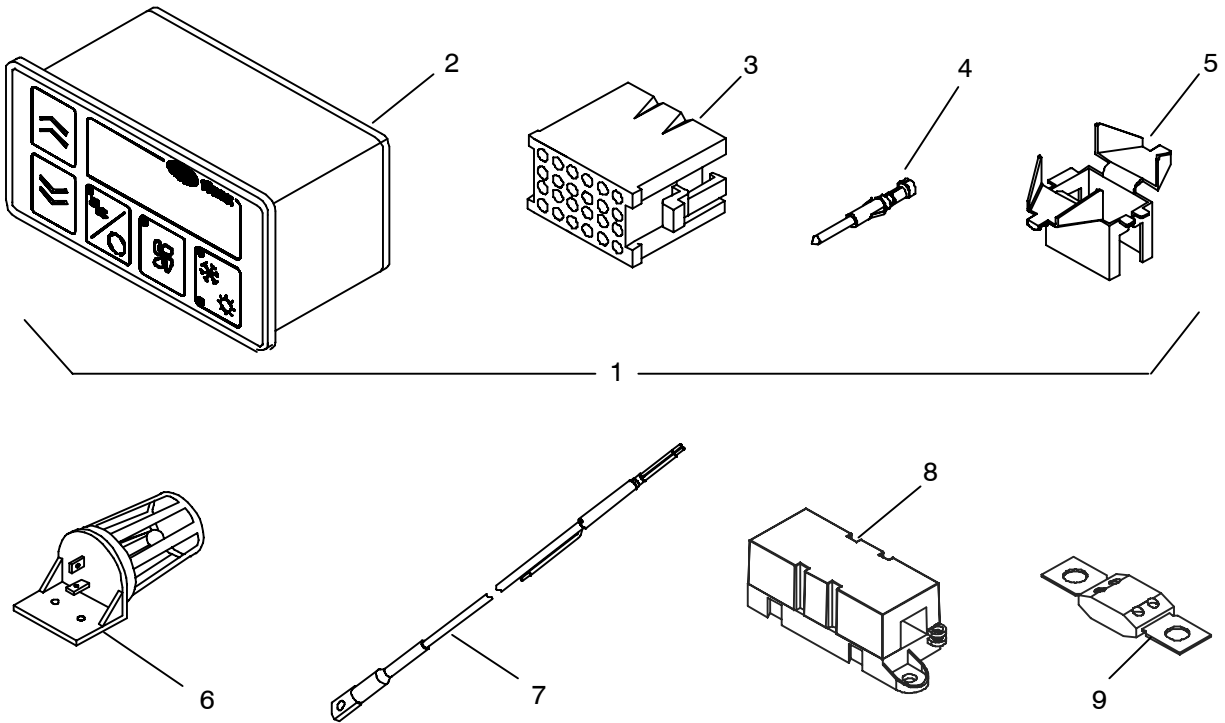
Item	Part Number	Description	Qty
1	10-37-03-025	Blower Mounting	8/12
	67-67013-00	Bracket Blower Mounting (AC350 -06 & -07 Only)	12
2	75-45-70-015	Double Radial Blower Assembly, 24 VDC (AC310)	4
	75-45-70-016	Double Radial Blower Assembly, 24VDC (AC350)	6
3	54-00584-00	Fan & Motor Assembly, 24 VDC, Permanent Magnet (Double Radial)	4/6
	28-22-07-054	Gasket, Blower (Not Included With Fan & Motor Assembly)	4/6
4	26-09-10-110	Speed Controller AC310	4
	26-09-10-108	Speed Controller AC350	6
5	10-37-03-008	Blower Mounting	8/12
	58-67012-00	Bracket, Blower Mounting (AC350 -06 & -07 Only)	12
6	32-02-14-011	Nut	8/12
7	32-03-20-006	Washer	8/12
8	32-04-01-012	Spring Washer	8/12
9	86-62216-01	Mount Assembly, Condenser Fan Motor, 3 Inch Diameter - Includes:	4/6
9A	34-00944-08	.....Washer, Plain, M8	1
9B	34-00945-08	.....Washer, Split Lock, M8	1
9C	34-01241-30	.....Screw, Cap, Hex Head, M8 x 30MM Long, GR 10.9	1
10	38-00566-00	Condenser Fan, 7 Blades	4/6
11	34-62017-00	Clip, Retainer, Condenser Fan	4/6
12	54-00583-00	Motor, Fan, Condenser, 24VDC, PM	4/6

**18 OPERATOR CONTROLS - GEN I & II**



Item	Part Number	Description	Qty
1	60-01-40-065	Potentiometer, Thermostat Assembly - Includes:	1
2	26-11-05-020	.....Potentiometer, 10k	1
3	26-43-01-029	.....Knob	1
4	78-05-01-003	.....Base Plate	1
5	60-01-40-066	Potentiometer, Fan Speed Assembly - Includes:	1
2	26-11-05-020	.....Potentiometer, 10k	1
3	26-43-01-029	.....Knob	1
6	78-05-01-004	.....Base Plate	1
7	60-01-40-060	Operating Panel Assembly - Includes:	1
8	34-01-06-047	.....Plate, Base	1
9	26-01-05-018	.....Insert, Switch, Black	1
10	26-01-05-016	.....Switch, (High-Medium-Low)	1
11	26-01-05-013	.....Switch (On-Off)	1
12	60-01-40-062	Operating Panel Assembly - Includes:	1
13	34-01-06-046	.....Plate, Base	1
9	26-01-05-018	.....Insert, Switch, Black	1
10	26-01-05-016	.....Switch, (High-Medium-Low)	1
14	26-01-05-020	.....Screen (Block-Off)	1

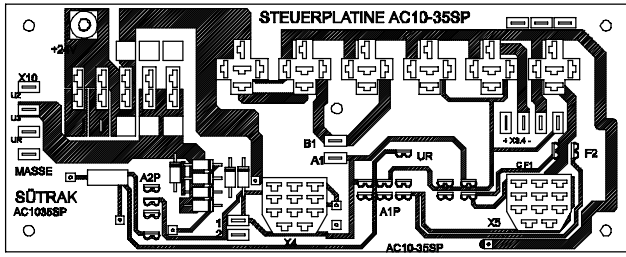
19 ELECTRICAL OPERATING PARTS CSDD (BT 324) - GEN II



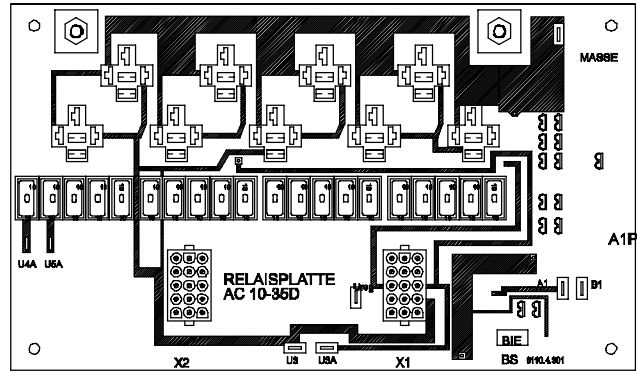
**19 ELECTRICAL OPERATING PARTS CSDD (BT 324) - GEN II - Continued:**

<b>Item</b>	<b>Part Number</b>	<b>Description</b>	<b>Qty</b>
1	75-50-16-048	Controller Kit, CSDD, BT324, AC350 (24V) - Includes:	1
	75-50-16-049	Controller Kit, CSDD, BT324, AC310 (12V) - Includes:	
2	26-09-03-060-00	.....Controller CSDD/BT324, 24VDC	1
	26-09-03-060-01	.....Controller CSDD/BT324, 12VDC	1
3	26-17-12-038	.....ITT Plug, 24 Position	1
4	26-33-03-209	.....Connector, Male	17
5	26-17-12-039	.....Strain Relief	1
6	26-09-03-816	Sensor, Interior	1
7	26-09-03-815	Sensor, exterior (Used With Reheat Only)	1
8	22-01800-00	Fuse Socket, Megafuse	1
9	22-02336-32	Fuse, 125 AMP	1

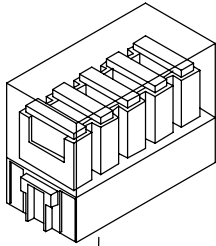
20 ELECTRIC CONTROL AND OPERATING PARTS - AC310 & AC350 - GEN II



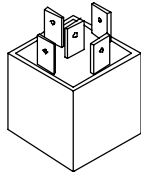
1



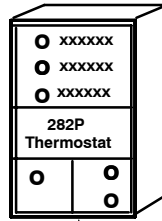
2



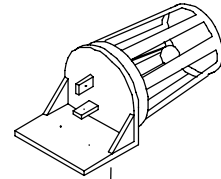
3



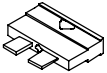
4



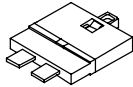
5



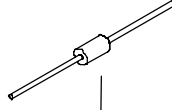
6



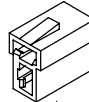
7



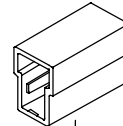
8



9



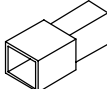
10



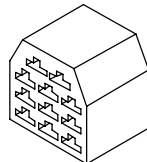
11



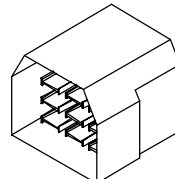
12



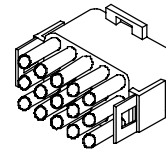
13



14



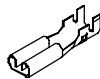
15



16



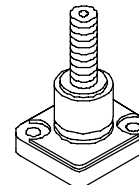
17



18



19

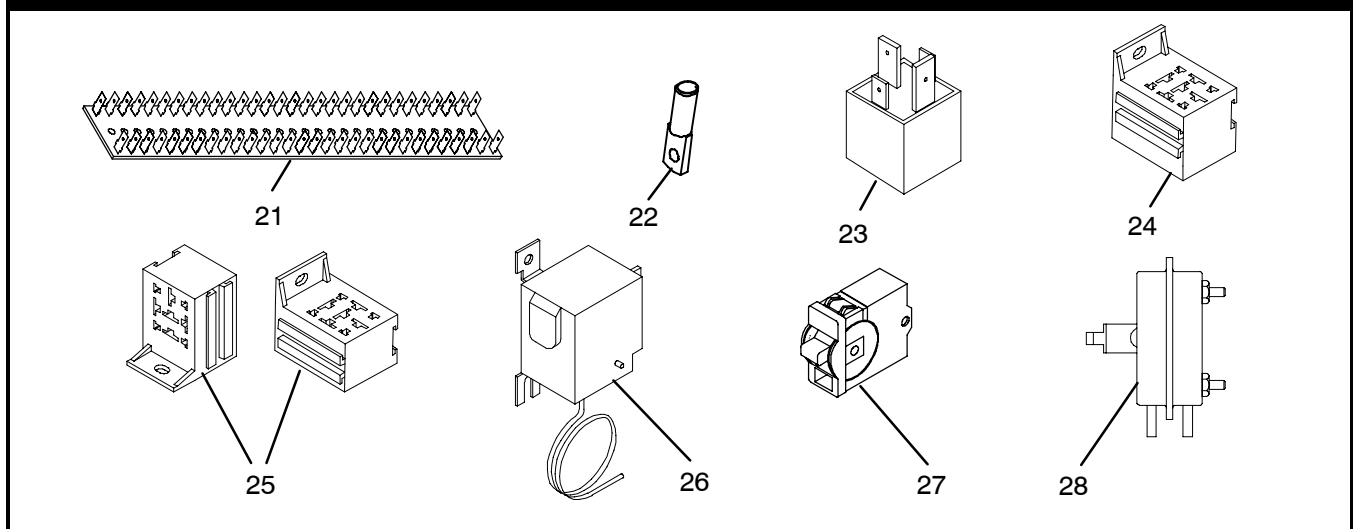


20

**20 ELECTRIC CONTROL AND OPERATING PARTS - AC310 & AC350 - GEN II Continued:**

Item	Part Number	Description	Qty
1	26-38-08-002	Printed Circuit Board (AC350 -01 & -02 Only)	1
2	26-38-08-007	Printed Circuit Board (AC350 All)	1
3	26-05-11-042	Fuse Box	A/R
4	26-01-17-002	Relay, 12 Volt (AC310)	3
	26-01-17-107	Relay, 24 Volt (AC350)	A/R
5	26-09-03-027	Thermostat, Electronic, 282P	1
6	26-09-03-806	Sensor, Temperature (AC350 -01 & -02 Only)	A/R
7	26-05-05-245	Fuse 15 Amp (AC350 All)	A/R
	26-05-05-244	Fuse 10 Amp (AC350 -01 & -02 Only)	18
8	26-05-02-015	Breaker, Circuit, 15 Amp (AC310 Only)	10
	26-05-02-014	Breaker, Circuit, 10 Amp (AC310 Only)	7
9	26-11-15-001	Diode, 1N 5406, 600 Volt, 3 Amp (AC310 Only)	12
10	26-17-15-004	Connector, Female, Double	A/R
11	26-17-05-004	Connector, Male, Double	A/R
12	26-17-15-001	Connector, Male, Single	1
13	26-17-05-001	Connector, Female, Single	A/R
14	26-17-15-050	Connector, Female, 11 Pin (AC350 -04, -05, -06 & -07) (AC310 - All)	1
15	26-17-05-050	Connector, Male, 11 Pin	1
16	26-17-15-037	Connector, 15 Pin	2
17	22-50098-77A	Terminal, Male	A/R
18	26-33-03-134	Terminal, Female	A/R
19	26-33-03-197	Pin	A/R
20	26-21-01-038	Terminal	1

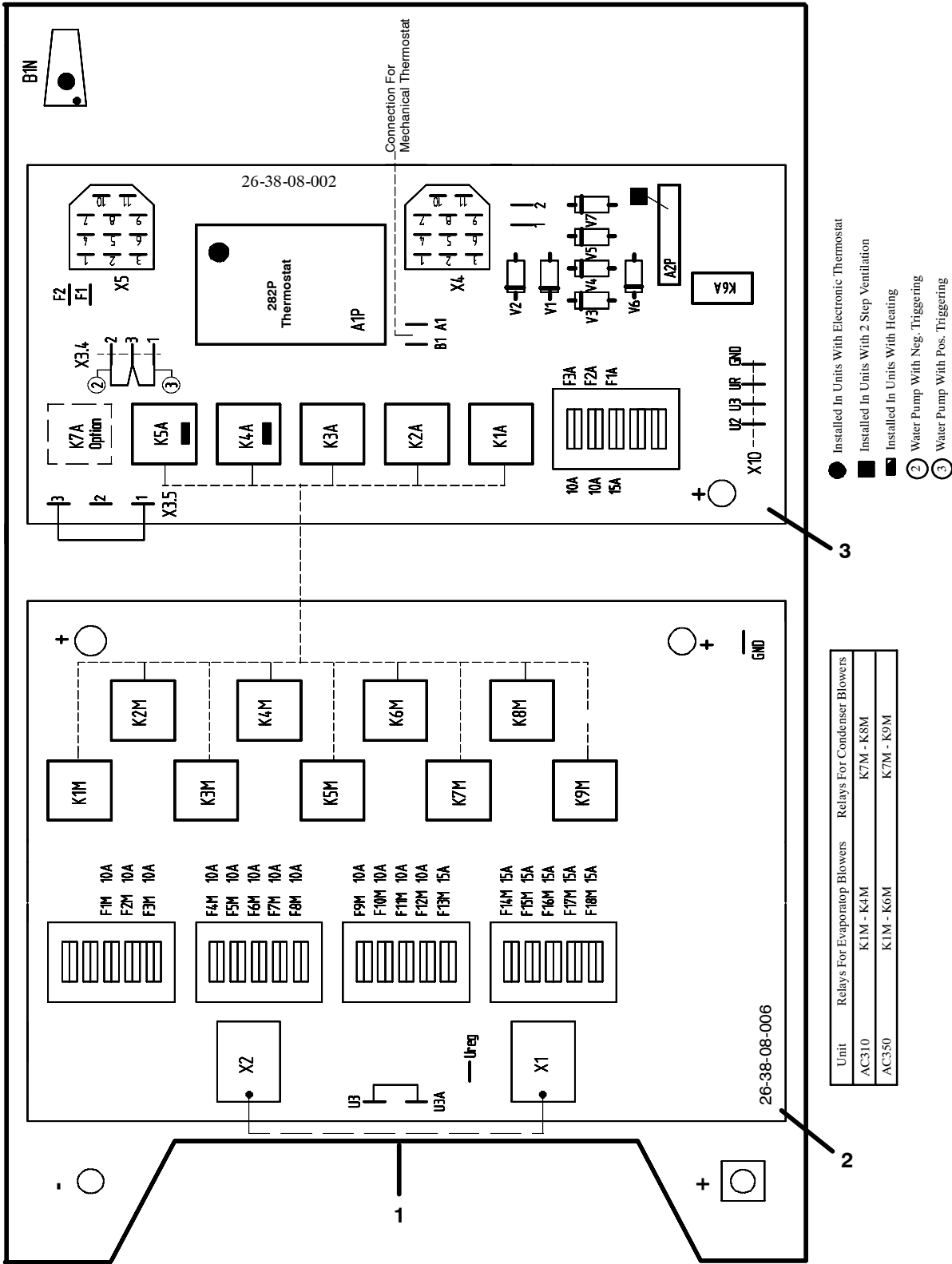
**21 ELECTRICAL OPERATING PARTS - AC310 - GEN I**



Item	Part Number	Description	Qty
21	26-21-10-010	Diode Board, (DL30)	1
22	26-09-03-803	Sensor, K276	1
23	26-01-17-012	Relay, 70 Amp, 12 VDC	9
24	26-01-19-002	Relay Support, 70 Amp	9
25	26-01-19-001	Relay Support, 30/40/70 Amp	3
26	26-03-15-001	Thermostat, Freeze	2
27	26-01-05-027	Switch, Override	1
28	12-01039-08	Switch, Pressure, Air (Adjustable)	1

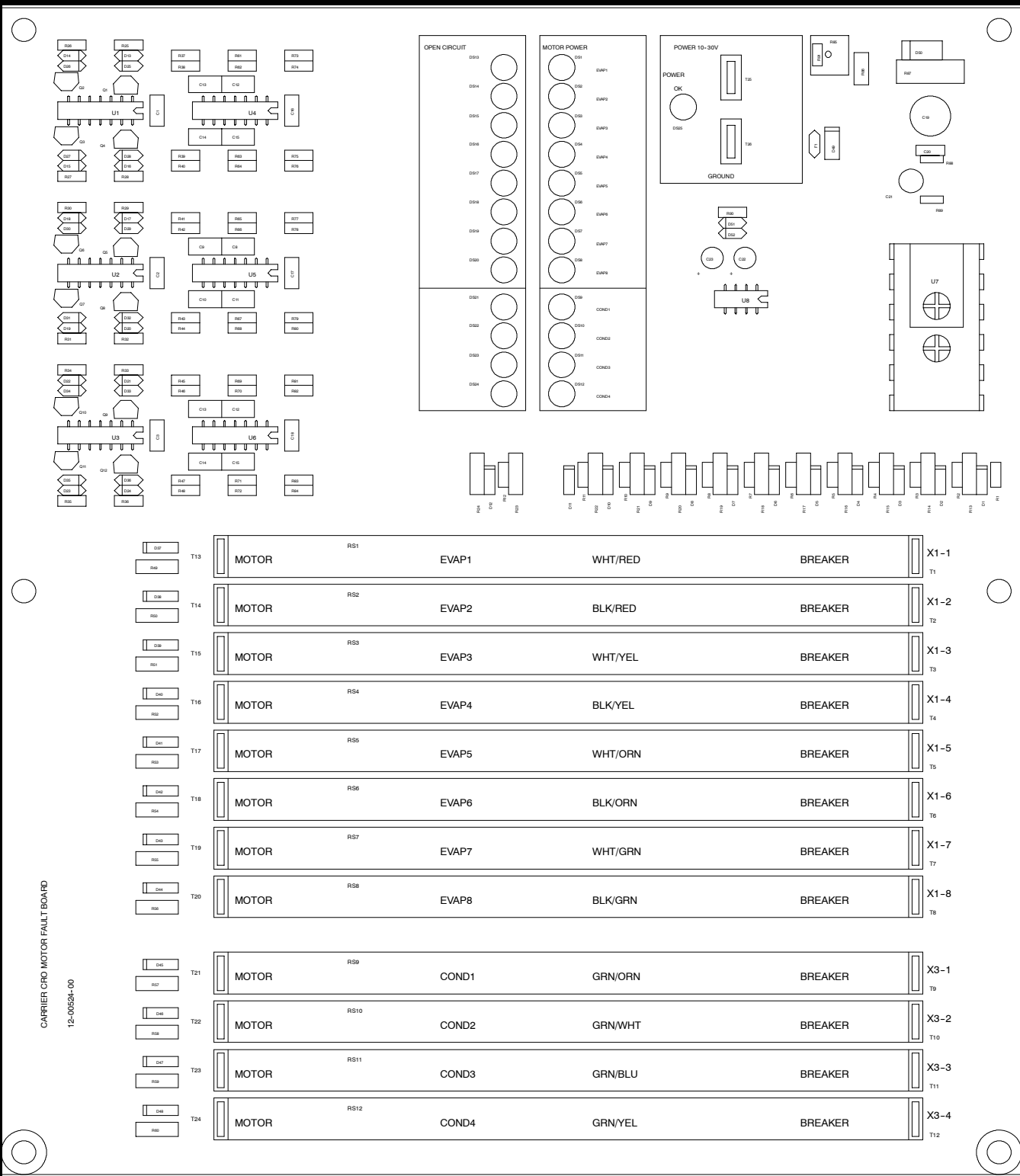


22 RELAY PANEL WITH 282P THERMOSTAT - AC310 & AC35



Item	Part Number	Description	Qty
1	60-01-28-020	Relay Panel With 282P Electronic Thermostat	1
2	26-38-08-006	Printed Circuit Board (AC350 -01, -02, -04 & -05)	1
3	26-38-08-002	Printed Circuit Board (AC350 -01 & -02 Only)	1

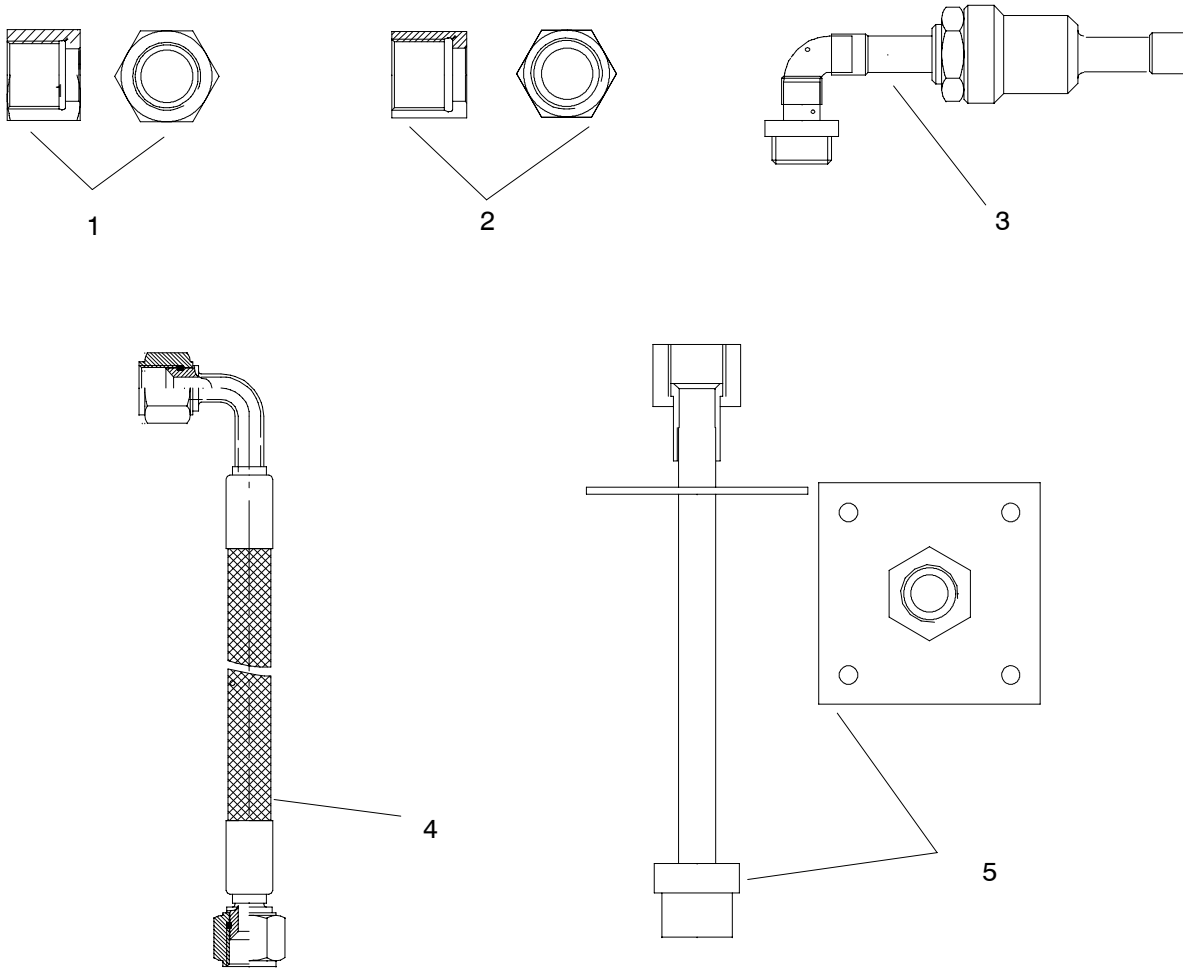
## 23 ELECTRIC CONTROL AND OPERATING PARTS - (MOTOR FAULT BOARD)



CARRIER CRC MOTOR FAULT BOARD  
12-00524-00

Item	Part Number	Description	Qty
1	12-00524-00	Board, Motor Fault (PC) (AC310)	1

**24 COOLING SYSTEM COMPONENTS - (FRONT EVAPORATOR OPTION)**



Item	Part Number	Description	Qty
1	22-23-34-039	Nut, Swivel, for Front Box (Dash Air) Connection, 1-1/16-14 UNS	1
2	22-25-34-036	Nut, Swivel, for Front Box (Dash Air) Connection, 7/8-14 UNF	1
3	10-60-15-087	Check Valve assembly, (Discharge Line)	1
4	10-60-22-045	Hose Assembly, Adapter, Front Box (Dash Air) Connection	1
5	10-60-21-047	Tube Assembly, Liquid Line, (Solenoid Valve-Front Box)	1

# PART NUMBER INDEX

PART NO.	PAGE NO.	PART NO.	PAGE NO.	PART NO.	PAGE NO.
10-19-03-013	11	10-85-03-044	20	22-05-12-018	11, 13
10-19-03-015	11, 13	10-85-03-047	20	22-05-13-007	11, 13
10-19-04-014	11	12-00524-00	31	22-05-13-013	15
10-37-03-008	24	12-01039-08	29	22-05-13-100	11, 13
10-37-03-023	23	14-00299-00	21	22-05-15-100	17, 18
10-37-03-024	23	14-00299-01	21	22-05-15-305	17, 18
10-37-03-025	24	14-00326-05	19	22-05-15-310	19
10-55-01-027	7	14-00345-00	19	22-23-34-039	32
10-55-05-004	18	14-01110-01	21	22-25-05-001	7, 9
10-60-01-016	13, 15	14-01110-02	21	22-25-34-036	32
10-60-01-017	13, 15	15-02-01-926	22	22-50098-77A	29
10-60-01-018	13, 15	15-03-01-703	22	24-02-11-151	17
10-60-01-019	13, 15	15-03-01-704	22	24-02-11-153	17
10-60-01-030	11	15-03-01-706	22	24-02-11-201	18
10-60-01-031	11	15-03-01-707	22	24-04-01-105	13
10-60-01-086	11	15-03-01-708	22	24-04-01-173	11
10-60-01-087	11	15-03-01-709	9	24-04-01-180	15
10-60-03-026	17	15-03-01-717	22	24-04-02-005	17, 18
10-60-03-027	17	15-03-01-927	9	24-04-75-014	11, 13, 15
10-60-03-028	17	15-03-10-011	7	24-06-01-026	17, 18
10-60-03-029	17	15-04-16-024	11, 13	24-07-10-018	11, 13
10-60-03-055	13	15-07-12-001	18	24-11-10-062	21
10-60-03-056	13	15-07-12-002	17	24-11-10-064	21
10-60-03-066	11	15-07-16-027	7, 9	24-11-10-066	21
10-60-03-068	11	17-31205-00	17, 18	24-11-10-069	21
10-60-03-098	11	20-08-09-020	11, 13	26-01-05-013	25
10-60-03-117	15	20-08-09-021	15	26-01-05-016	25
10-60-15-087	32	21-03-51-003	7	26-01-05-018	25
10-60-21-018	11, 18, 19	21-03-51-010	7	26-01-05-020	25
10-60-21-047	32	21-03-51-025	7, 9	26-01-05-027	29
10-60-21-048	11	21-08-03-011	11, 13	26-01-17-012	29
10-60-22-023	18	21-08-06-014	11, 13	26-01-19-001	29
10-60-22-033	18	21-08-06-019	20	26-01-19-002	29
10-60-22-035	18	21-08-07-007	11, 13	26-03-15-001	29
10-60-22-045	32	21-08-07-008	15	26-05-02-014	29
10-60-22-060	19	21-08-15-012	15	26-05-05-244	29
10-60-71-003	17	21-10-01-015	17, 18	26-05-05-245	29
10-63-01-010	18	21-10-02-002	22	26-01-17-002	29
10-63-01-013	17	22-01800-00	27	26-05-11-042	29
10-85-03-043	20	22-02336-32	27		

# PART NUMBER INDEX

PART NO.	PAGE NO.	PART NO.	PAGE NO.	PART NO.	PAGE NO.
26-01-17-107	29	28-02-05-013	23	34-62016-00	7, 9
26-09-03-027	29	28-02-10-015	23	34-62017-00	23, 24
26-09-03-060-00	27	28-20-01-003	23	38-00566-00	24
26-09-03-060-01	27	28-20-01-203	23	42-00243-04	19
26-09-03-803	29	28-22-01-003	23	42-00243-11	15
26-09-03-806	29	28-22-05-003	23	54-00583-00	24
26-09-03-815	27	28-22-07-001	23	54-00584-00	24
26-09-03-816	27	28-22-07-050	23	58-67012-00	24
26-09-10-108	24	28-22-07-054	24	60-01-28-020	30
26-09-10-110	24	28-23-01-024	23	60-01-40-060	25
26-11-05-020	25	32-01-02-049	13	60-01-40-062	25
26-11-15-001	29	32-02-14-011	23, 24	60-01-40-065	25
26-17-05-001	29	32-03-03-007	23	60-01-40-066	25
26-17-05-004	29	32-03-03-013	9	60-01-40-066	25
26-17-05-050	29	32-03-20-006	24	67-67013-00	24
26-17-12-038	27	32-04-01-012	13, 23, 24	75-01-01-045	13
26-17-12-039	27	32-10-10-500	7, 9	75-01-01-073	11
26-05-02-015	29	32-15-11-005	17, 18	75-01-01-184	15
26-17-15-001	29	32-15-30-852	13	75-19-01-030	20
26-17-15-004	29	32-15-30-935	13	75-25-05-115	7
26-17-15-037	29	32-15-45-002	20	75-25-05-116	7
26-17-15-050	29	32-23-05-069	18	75-25-05-300	7
26-21-01-038	29	32-23-10-001	17	75-25-05-301	7
26-21-10-010	29	32-23-26-236	11, 13 17, 18	75-45-70-015	24
26-27-03-011	7			75-45-70-016	24
26-27-03-013	7, 9	32-24-01-013	7, 9	75-47-05-328-00	9
26-27-03-015	7, 9	32-24-01-016	7, 9	75-47-05-431	9
26-27-07-006	7	32-24-01-034	7, 9	75-50-16-048	27
26-27-07-007	7, 9	32-24-01-039	7, 9	75-50-16-049	27
26-27-07-008	7, 9	32-24-01-058	20	75-65-04-004	19
26-33-03-134	29	32-24-01-059	20	78-05-01-003	25
26-33-03-197	29	32-24-01-060	20	78-05-01-004	25
26-33-03-209	27	34-00944-08	24	78-07-01-003	15
26-38-08-002	29, 30	34-00945-08	24	86-62216-00	23
26-38-08-006	30	34-01-06-046	25	86-62216-01	24
26-38-08-007	29	34-01-06-047	25	CM258-514	21
26-43-01-029	25	34-01241-30	24		

Carrier Transport Air Conditioning  
50 Grumbacher Road  
York PA 17406 USA  
Tel: 1-800-673-2431  
Fax: 1-717-764-0401



**Carrier**

A United Technologies Company

Carrier Transicold Division,  
Carrier Corporation  
Transport Air Conditioning Group  
P.O. Box 4805  
Syracuse, N.Y. 13221 U.S.A

[www.carrier.transicold.com](http://www.carrier.transicold.com)



A member of the United Technologies Corporation family. Stock symbol UTX  
©2007 Carrier Corporation • Printed in U. S. A. 0607