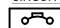
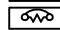
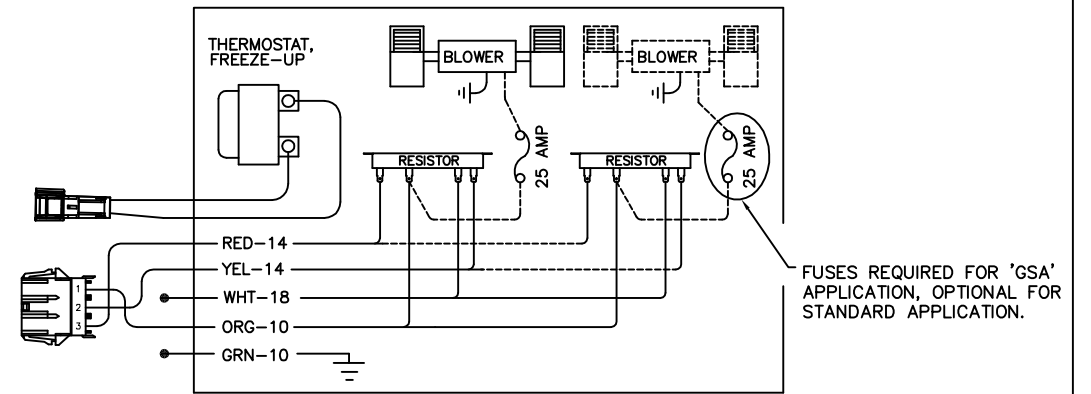
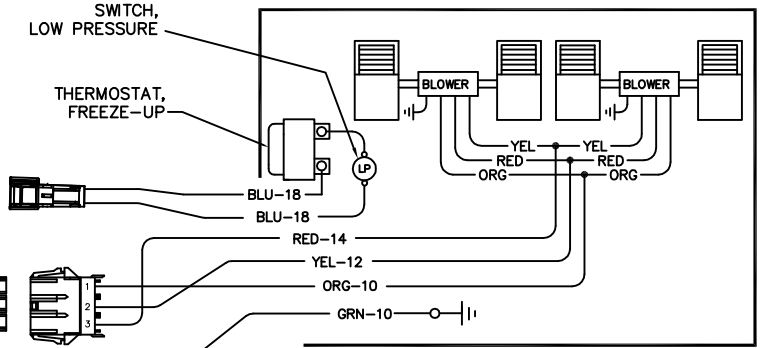


CIRCUIT BREAKER IDENTIFICATION
 TYPE I - MANUAL RESET-RESETS WHEN EXTERNAL BUTTON IS PUSHED.
 TYPE II - RESETS WHEN OVERCURRENT IS CORRECTED OR REMOVED.

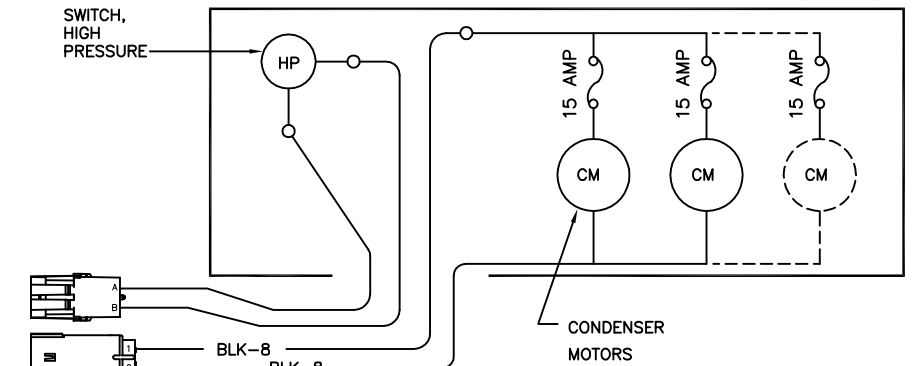
EVAPORATOR, EM-1,2,6,9 (GEN 4)



EVAPORATOR, IW-1,2,4 & 10

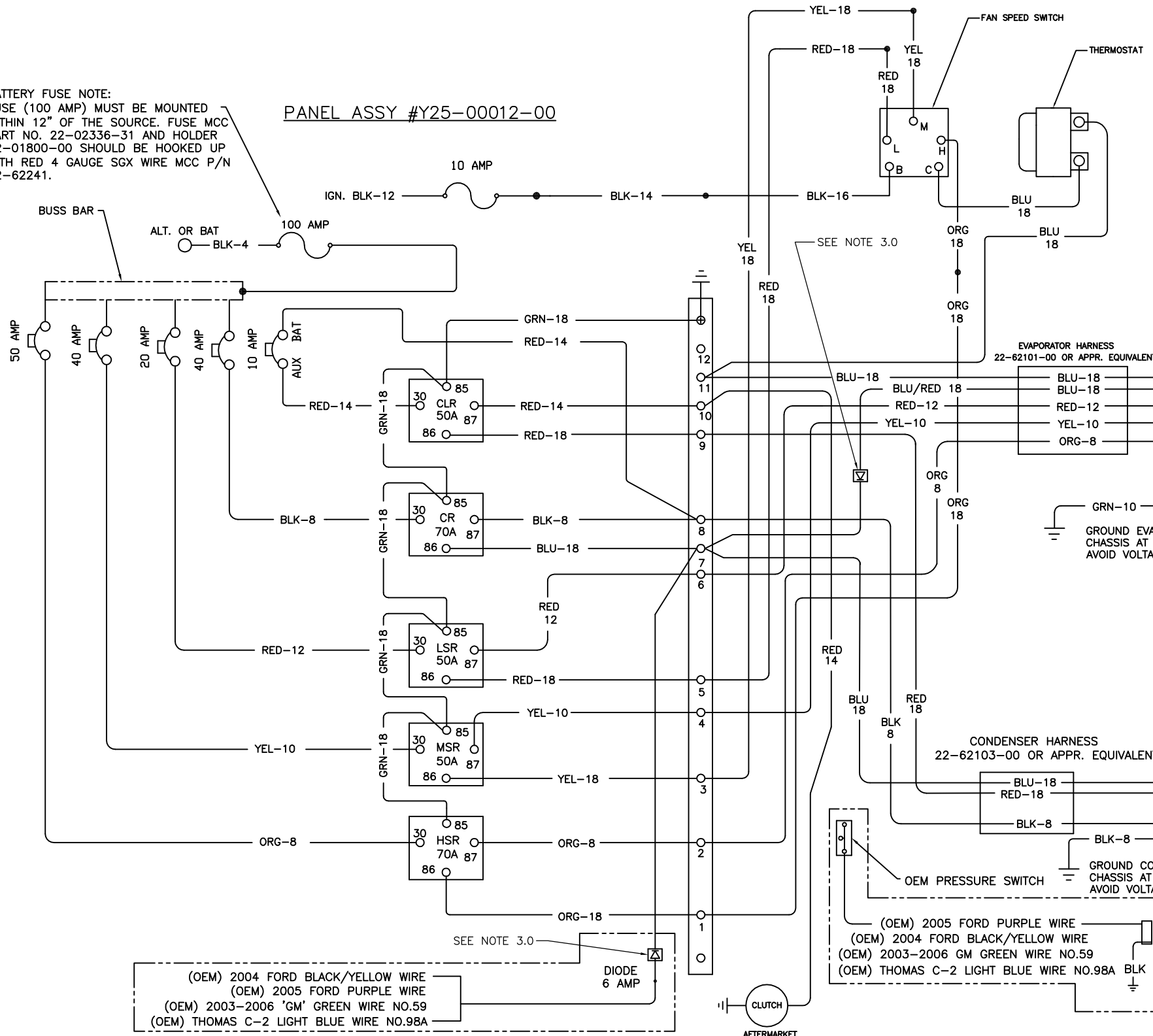


CONDENSER, CM-2,3, K410

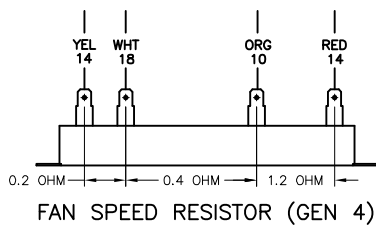


BATTERY FUSE NOTE:
 FUSE (100 AMP) MUST BE MOUNTED WITHIN 12" OF THE SOURCE. FUSE MCC PART NO. 22-02336-31 AND HOLDER 22-01800-00 SHOULD BE HOOKED UP WITH RED 4 GAUGE SGX WIRE MCC P/N 22-62241.


PANEL ASSY #Y25-00012-00



(OEM) 2004 FORD BLACK/YELLOW WIRE
 (OEM) 2005 FORD PURPLE WIRE
 (OEM) 2003-2006 'GM' GREEN WIRE NO.59
 (OEM) THOMAS C-2 LIGHT BLUE WIRE NO.98A



1	INITIAL RELEASE	JUL 16, 2012	L&T	SB	ECN0035Y12
SYM	REVISION RECORD	DATE	BY	ENGR.	M.E.
					NPCA NO.
					WEIGHT
					MFG/PURCH
					MFG

CAD SYSTEM: AutoCAD	IMPERIAL INCH FORMAT: UNLESS OTHERWISE SPECIFIED DIMENSIONS ARE IN INCHES, WITH METRIC CONVERSIONS IN [MILLIMETERS].	 Mobile Climate Control 3189 Farmrail Rd York, PA 17406
THIRD ANGLE PROJECTION	UNLESS OTHERWISE SPECIFIED TOLERANCES ON: .00 DEC .000 DEC DEC ANG ± .04 ± .020 ± ± 2' [.0] DEC [.00] DEC DEC ±[1.0] ±[.50] ± []	
MATERIAL	SURFACES ✓ AA	HOLE DIA. ± .005 ± [.13]
	HOLE SPACING ± .015 ± [.38]	HOLE LOC ± .03 ± [.8]
DIMENSIONS IN (PARENTESIS) ARE FOR INFORMATION ONLY. TOLERANCES DO NOT APPLY.		
TITLE WIRE DIAGRAM EM W/CM AC-553		THIS DOCUMENT AND THE INFORMATION CONTAINED THEREIN IS PROPRIETARY TO MOBILE CLIMATE CONTROL AND SHALL NOT BE USED OR DISCLOSED TO OTHERS, IN WHOLE OR IN PART, WITHOUT THE WRITTEN AUTHORIZATION OF MOBILE CLIMATE CONTROL.
SIZE D	DRAWING NO. Y66-00008	REV 1
NEXT DRAWING NONE	SCALE 1:2	COMMODITY CODE