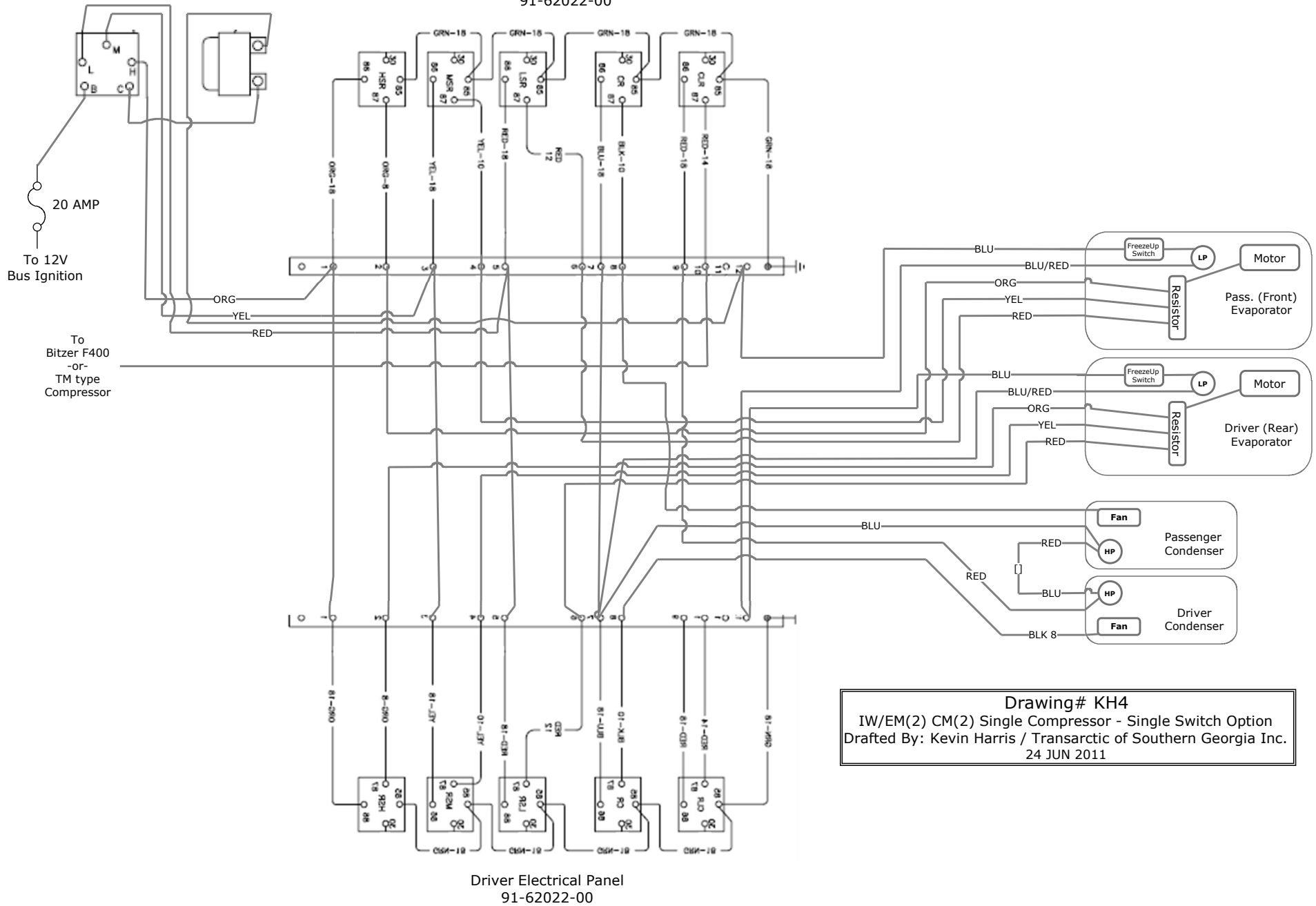


Passenger Electrical Panel  
91-62022-00



Drawing# KH4  
 IW/EM(2) CM(2) Single Compressor - Single Switch Option  
 Drafted By: Kevin Harris / Transarctic of Southern Georgia Inc.  
 24 JUN 2011