

# Bill of Materials Listing

TransArctic Canada Inc.

12/12/2005

Page 1 of 1

Product Number		Description	Bin	Date	Weight	Uof M	Yield
Line	Component Prod#	Description		Unit	Qty		
<b>KMC52680</b>		<b>Mt Kit, ISB, 5.9L, MVP EF, 2 TM-21, P8</b>		<b>6/5/2004</b>		<b>24.01</b>	<b>0</b>
10	BEL83106	Belt, 8gr, 3106mm (122.3") (5081223)		each	1		
20	BMC59006	Bkt, Main, Weldmt, ISB, EF, P8		each	1		
30	BMC59007	Bkt, Assy, Block, Slide, ISB, EF, P8		each	1		
40	BMC59009	Bkt, Brace, Frt, Diag, ISB, EF, P8		each	1		
50	BMC59031	Bkt, Assy, B/S, Idler, ISB, EF, P8		each	1		
55	BMC59032	Bkt, Angle, Alt, ISB, EF, P8		each	1		
60	PUL80076	Pulley, Idler, Backside, P8, 76d (89062)		each	1		
70	SCD25408	Spacer, Col, Drl, 25.4mm x 25.4o x 8.33i		each	4		
80	KBC52680	Bag Kit, Fasteners, KMC52680/KMC51980		each	1		

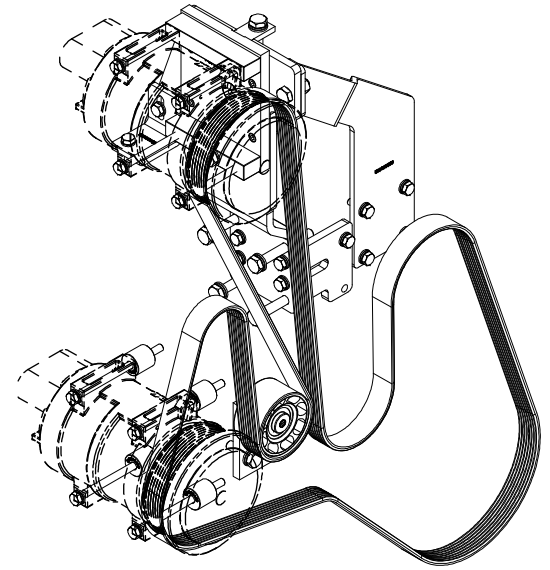
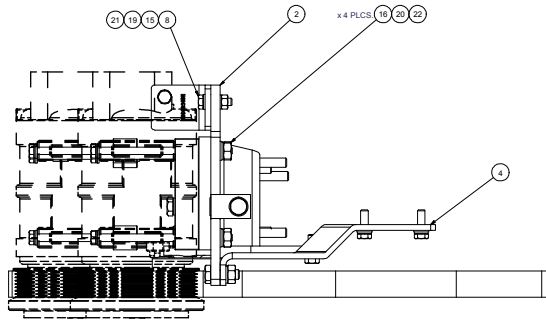
# Bill of Materials Listing

TransArctic Canada Inc.

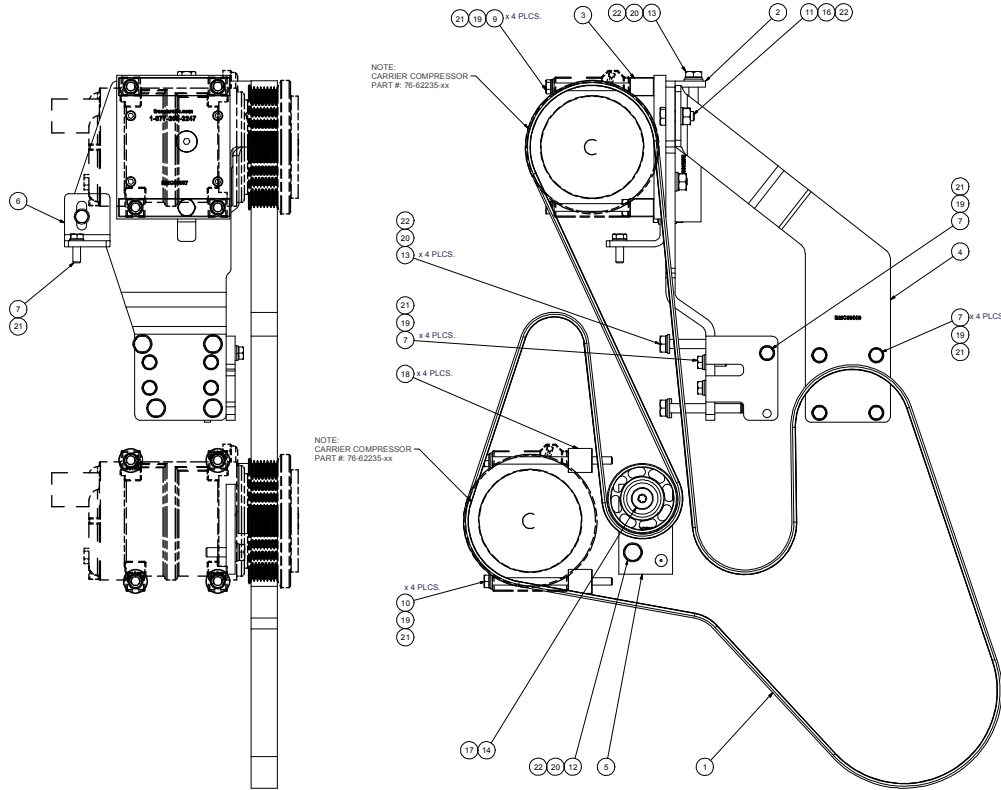
7/16/2009

Page 1 of 1

Product Number		Description	Bin	Date	Weight	Uof M	Yield
Line	Component Prod#	Description		Unit	Qty		
<b>KBC52680</b>		<b>Bag Kit, Fasteners, KMC52680/KMC51980</b>		<b>6/7/2004</b>	<b>2.80</b>		<b>0</b>
10	BTS10001	Bolt, Shoulder, 10mm (89064)		each	1		
20	BTC10080	Bolt, Hex, 10 x 1.5 x 80mm, 10.9, Plt,FT		each	5		
30	BTC10035	Bolt, Hex, 10 x 1.5 x 35mm, 10.9, Plt,FT		each	1		
40	BTC10030	Bolt, Hex, 10 x 1.5 x 30mm, 10.9, Plt		each	1		
50	BTC08130	Bolt, Hex, 8 x 1.25 x 130mm, 10.9, Plt		each	4		
60	BTC08100	Bolt, Hex, 8 x 1.25 x 100mm, 10.9, Plt		each	4		
65	BTC08030	Bolt, Hex, 8 x 1.25 x 30mm, 10.9, Plt,FT		each	1		
70	BTC08025	Bolt, Hex, 8 x 1.25 x 25mm, 10.9, Plt		each	10		
80	NTA10000	Nut, Hex, 10 x 1.5, 8.8, Plt		each	5		
85	NTA08000	Nut, Hex, 8 x 1.25, 8.8, Plt		each	1		
100	WFA10000	Washer, Flat, 10mm, 8.8, Plt		each	10		
110	WFA08000	Washer, Flat, 8mm, 8.8, Plt		each	18		
120	WLA10000	Washer, Lock, 10mm, 8.8, Plt		each	11		
130	WLA08000	Washer, Lock, 8mm, 8.8, Plt		each	19		



ISOMETRIC VIEW



NOTE:  
CARRIER COMPRESSOR  
PART #: 75-62235-xx

NOTE:  
CARRIER COMPRESSOR  
PART #: 75-62235-xx

- NOTES:
- 1) USE SERVICABLE THREADLOCKER ON ALL FASTENERS TO ENGINE COMPONENTS AND TORQUE ALL BOLTS TO S.A.E. SPECIFICATIONS.
  - 2) SEE "TRANSARCTIC A/C COMPRESSOR MOUNT INSTALLATION DISCLAIMER".
  - 3) REMOVE ALTERNATOR, MOUNT CASTING AND LIFTING LUG & REPLACE THE LIFT LUG WITH ITEM# BMC59006 AND RE-INSTALL ALTERNATOR AND MOUNT CASTING.
  - 4) REPLACE OEM IDLER MOUNT (BELOW ALTERNATOR) & PULLEY WITH LOWER COMPRESSOR c/w HARDWARE.

ITEM	QTY	UM	PART NUMBER	DESCRIPTION
22	11	EACH	WLA10000	WASHER LOCK, 10mm, 8.8, PLT
21	19	EACH	WLA09000	WASHER LOCK, 8mm, 8.8, PLT
20	10	EACH	WFA10000	WASHER FLAT, 10mm, 8.8, PLT
19	18	EACH	WFA09000	WASHER FLAT, 8mm, 8.8, PLT
18	4	EACH	SC025408	SPACER, COL, DIA, 25.4mm x 25.4 x 8.33
17	1	EACH	PUL80076	PULLEY, IDLER, BACKSIDE, PB, 760, 39W
16	5	EACH	NTA10000	NTJ, HEX, 10 x 1.5, 8.8, PLT
15	1	EACH	NTA09000	NTJ, HEX, 8 x 1.25, 8.8, PLT
14	1	EACH	BTS10001	BOLT, SHOULDER, 10mm, IDLER PULLEY
13	5	EACH	BTC10080	BOLT, HEX, 10 x 1.5 x 80mm, 10.9, PLT, FT
12	1	EACH	BTC10035	BOLT, HEX, 10 x 1.5 x 35mm, 10.9, PLT
11	1	EACH	BTC10030	BOLT, HEX, 10 x 1.5 x 30mm, 10.9, PLT
10	4	EACH	BTC08130	BOLT, HEX, 8 x 1.25 x 130mm, 10.9, PLT
9	4	EACH	BTC08100	BOLT, HEX, 8 x 1.25 x 100mm, 10.9, PLT
8	1	EACH	BTC08030	BOLT, HEX, 8 x 1.25 x 30mm, 10.9, PLT
7	10	EACH	BTC08025	BOLT, HEX, 8 x 1.25 x 25mm, 10.9, PLT
6	1	EACH	BMC59032	BKT, BRACE, REAR, ANGLE, ISB, EF, P8
5	1	EACH	BMC59031	BKT, ASSY, B/S IDLER, ISB, EF, P8
4	1	EACH	BMC59009	BKT, BRACE, FRT, DIAG, ISB, EF, P8
3	1	EACH	BMC59007	BKT, ASSY, BLOCK, SLIDE, ISB, EF, P8
2	1	EACH	BMC59006	BKT, MAIN, WELDMT, ISB, EF, P8
1	1	EACH	BEL8106	BELT, 8 GR, 316mm (12.2")

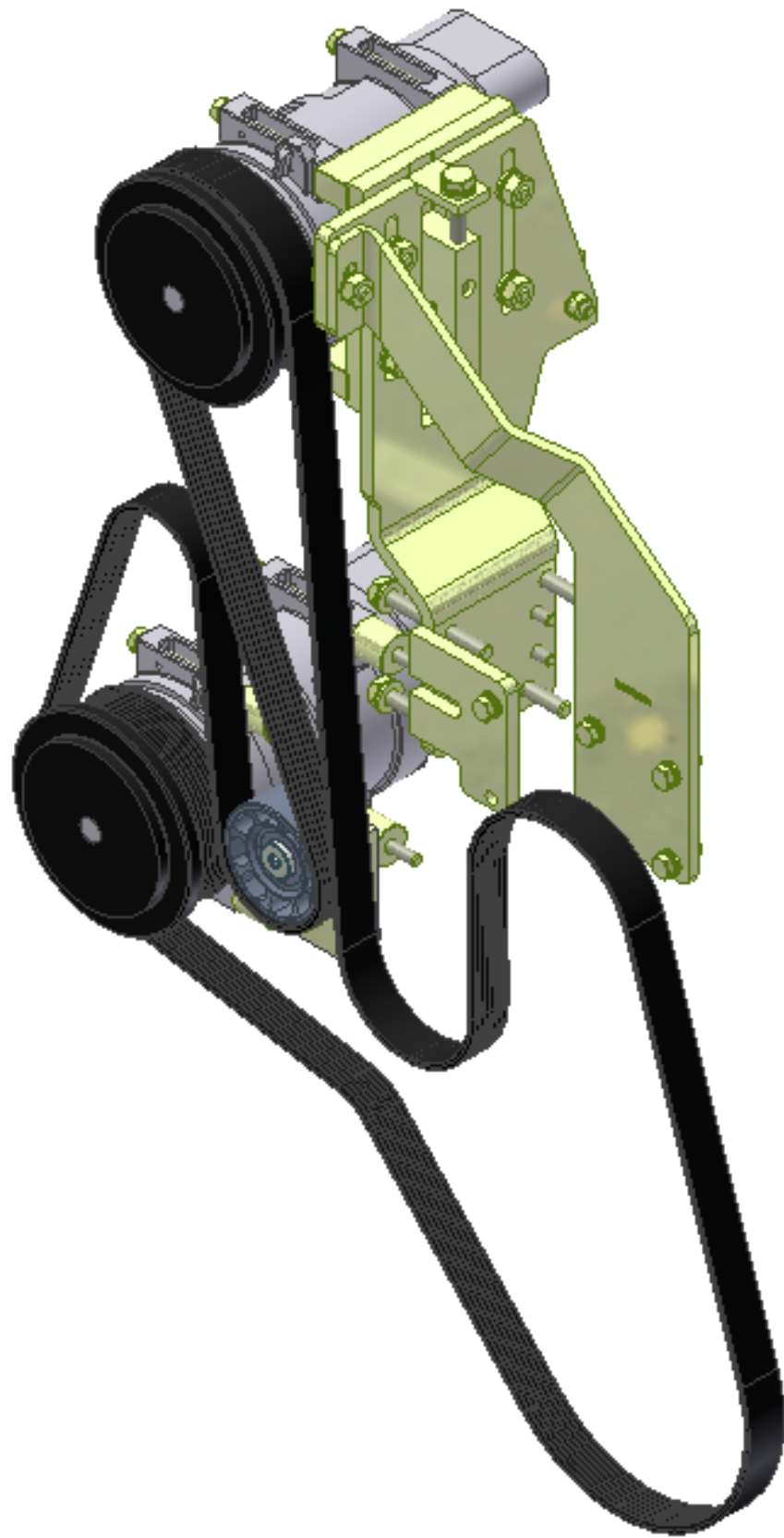
DESIGN: vjalkowlew 8/4/2004  
 CHECKED: Ryan Ingram 8/4/2004  
 DRAWN: James Stewart 8/4/2004  
 DATE: 8/4/2004  
 DATE: 8/4/2004  
 DATE: 8/4/2004

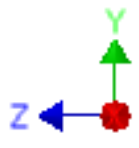
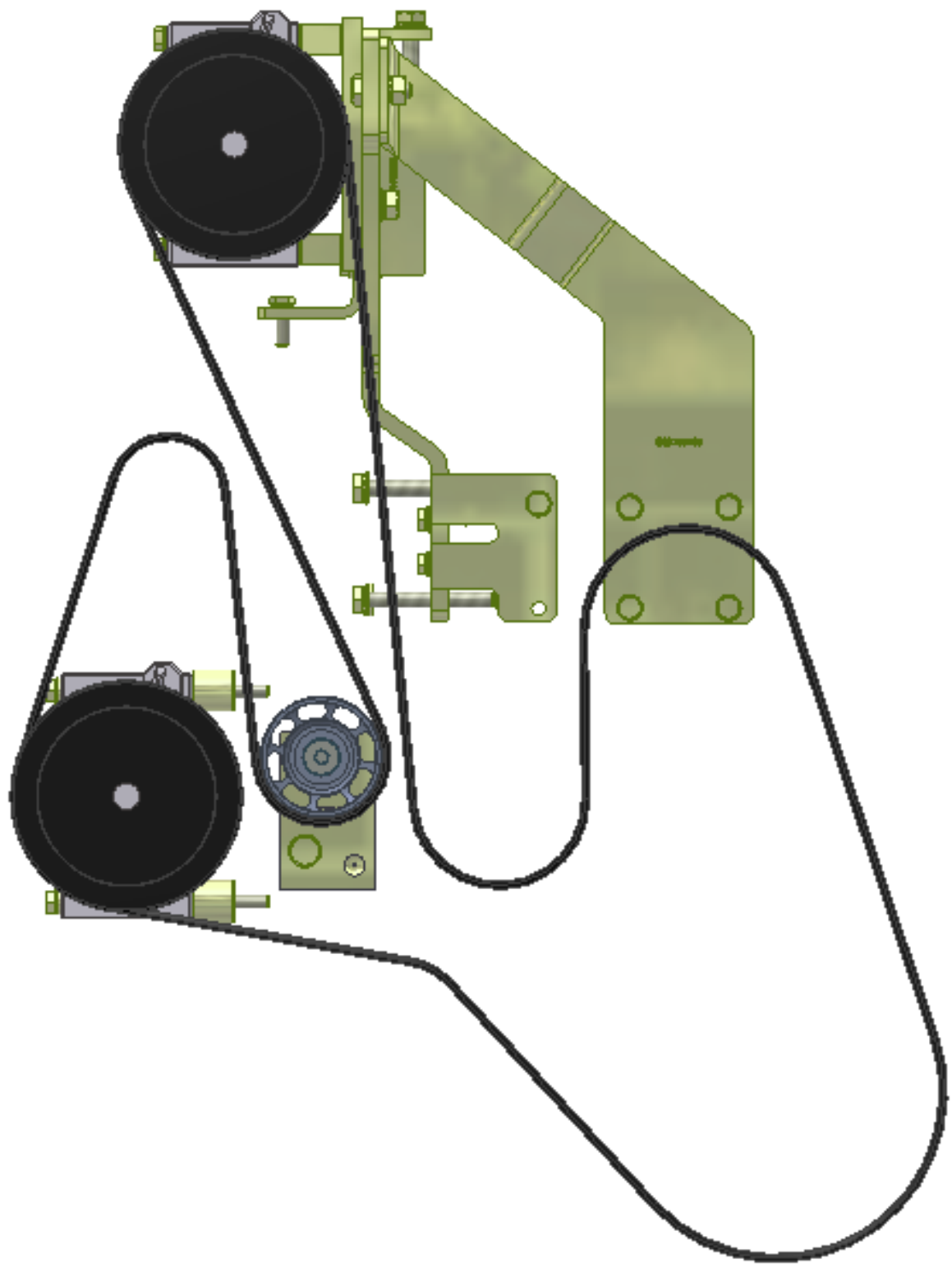
Bill of Materials

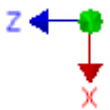
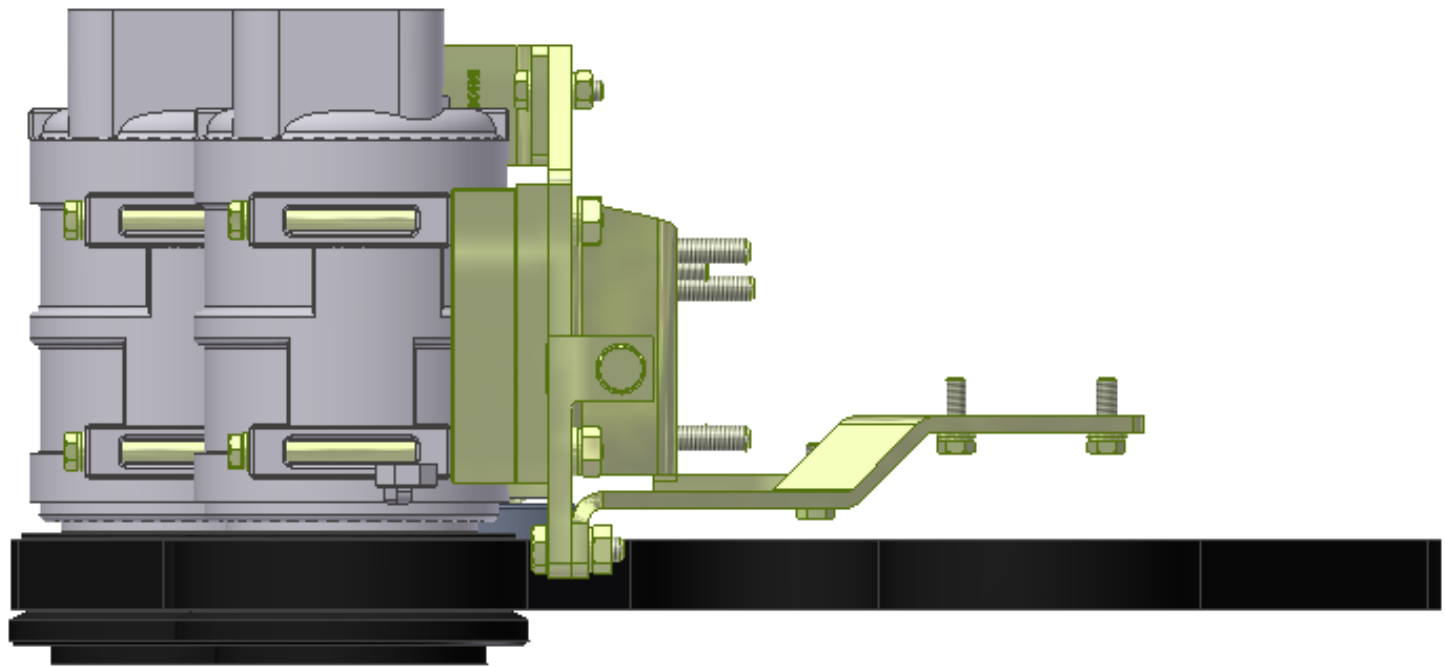
**TRANSARCTIC INC.**

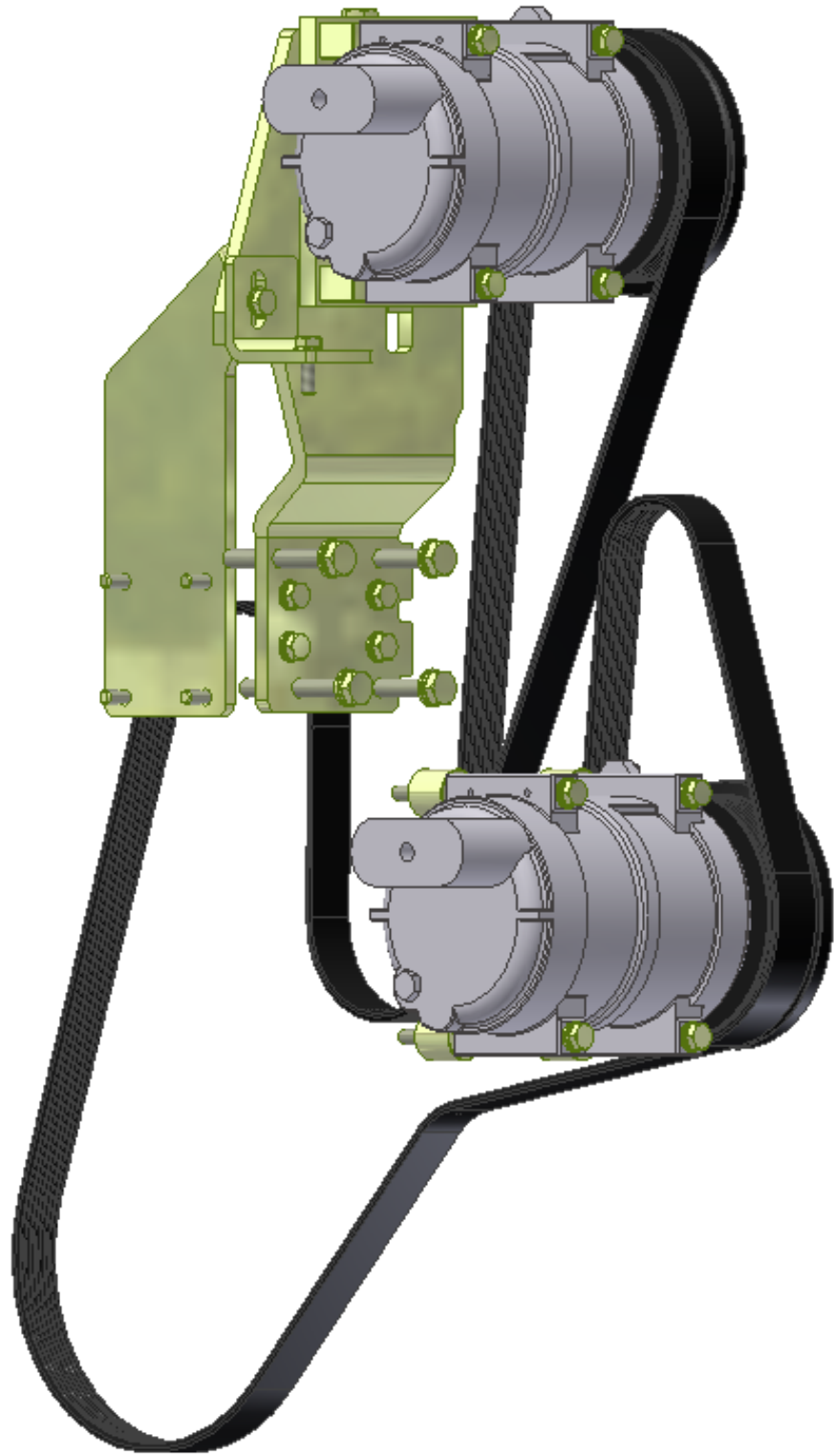
Mt Kit, ISB, MVP-EF, 2 TM-21, P8

DATE: 8/4/2004  
 SIZE: E  
 SCALE: 1:1  
 SHEET: 1 OF 2









## **TransArctic A/C Compressor Mount Installation Disclaimer**

All compressor mounts should be installed by qualified and trained personnel using proper tools and equipment in safe working conditions following industry standard guidelines for motor vehicle service and repair.

The installer of any compressor mount purchased from TransArctic must undertake all responsibility of issues arising from that compressor bracket being installed on any vehicle. As well as insure that a **proper and sufficient ground** is established between the compressors' clutches and the vehicle's engine. Mount functionality, operation and durability can all be compromised by an incompetent installation.

Due to the many different situations, parameters and application criteria, which are beyond the compressor mount manufacturer's control, TransArctic does not warrant design, durability, or operational functionality of any compressor mount improperly installed by another party.

**With no implied guarantees it is the mount installer's strict responsibility to determine safety and functionality, of the compressor mount, at the time of installation.**

Please contact TransArctic with any issue arising from installation so we may better improve the product. If you have any reservations about the compressor mount integrity contact TransArctic immediately at 1-877-COLD-AIR.