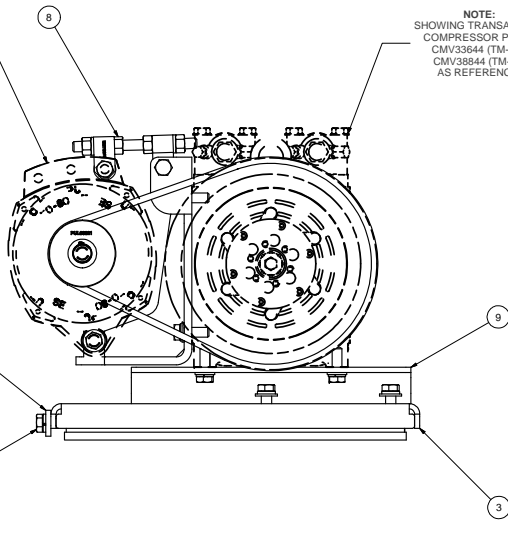
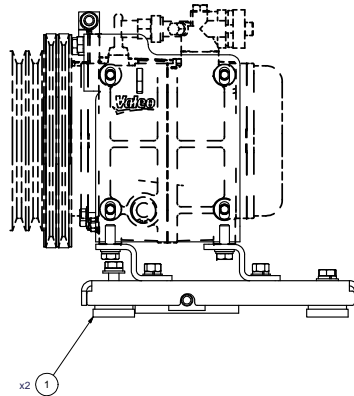


ISOMETRIC VIEW

NOTE:
SHOWING ALTERNATOR
AS REFERENCE.



NOTE:
SHOWING TRANSARCTIC
COMPRESSOR PART#
CMV33644 (TM-65)/
CMV38844 (TM-65)
AS REFERENCE.



NOTES:

- 1) USE SERVICABLE THREADLOCKER ON ALL FASTENERS TO ENGINE COMPONENTS AND TORQUE ALL BOLTS TO S.A.E. SPECIFICATIONS.
- 2) SEE 'TRANSARCTIC A/C COMPRESSOR MOUNT INSTALLATION DISCLAIMER'.
- 3) WEIGHT: 68.75LBS.

ITEM	QTY	U/M	PART NUMBER	DESCRIPTION
11	6	EACH	WLO08000	WASHER, LOCK, 1/2", 8, PLT
10	5	EACH	WF008000	WASHER, FLAT, 1/2", 8, PLT
9	1	EACH	KBT65501	KIT, PLATFORM, P/S, TM-55/65, '16
8	1	EACH	KAC65502	KIT, ALTERNATOR, TM-65, DRIVER SIDE, '13
7	1	EACH	CSF08076	CAPSCREW, FH, 1/2-20UNF x .75", ALLOY, PLT
6	2	EACH	BTQ08126	BOLT, HEX, 1/2-20UNF x 1.25, 8, PLT
5	3	EACH	BTQ08101	BOLT, HEX, 1/2-20UNF x 1.00, 8, PLT
4	1	EACH	BTQ08653	BOLT, HEX, 1/2-13UNC x 6.50, 5, PLT, FT
3	1	EACH	BMZ00043	BKT, MAIN, BASE PL, '13
2	1	EACH	BMN80025	BKT, BACK, PL, SLIDE, IC, RE300
1	2	EACH	BMN80008	VIBRATION ISOLATOR, BAR, 1x.50 x 2 x 1.50

BILL OF MATERIALS
TRANSARCTIC INC.

BROWN	10/13/2016		
Jrodriguez	10/13/2016		
CHECKED			
Vai, Jakowlew	10/13/2016		
GA			
RELEASED TO PRODUCTION	10/13/2016	JRK	
REV	DESCRIPTION	DATE	BY
1	James Stewart	10/13/2016	
2	MFS	10/13/2016	
3	James Stewart	10/13/2016	
4	APPROVED		
5	Dale Mason	10/13/2016	

UNSPECIFIED TOLERANCES:			
ONE DECIMAL PLACE (X.0)	±.005	FRACTIONAL (1/16)	±.002
TWO DECIMAL PLACES (X.00)	±.002	FRACTIONAL (1/32)	±.001
THREE DECIMAL PLACES (X.000)	±.001	FRACTIONAL (1/64)	±.0005
ANGULAR	±.01		



DRAWING UNIT OF MEASURE:	MM (INCH)
SCALE:	1:3
DWG NO:	KCB65502
REV:	0
SHEET:	1 OF 1