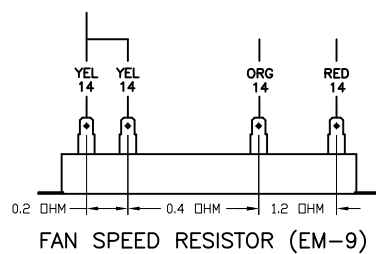
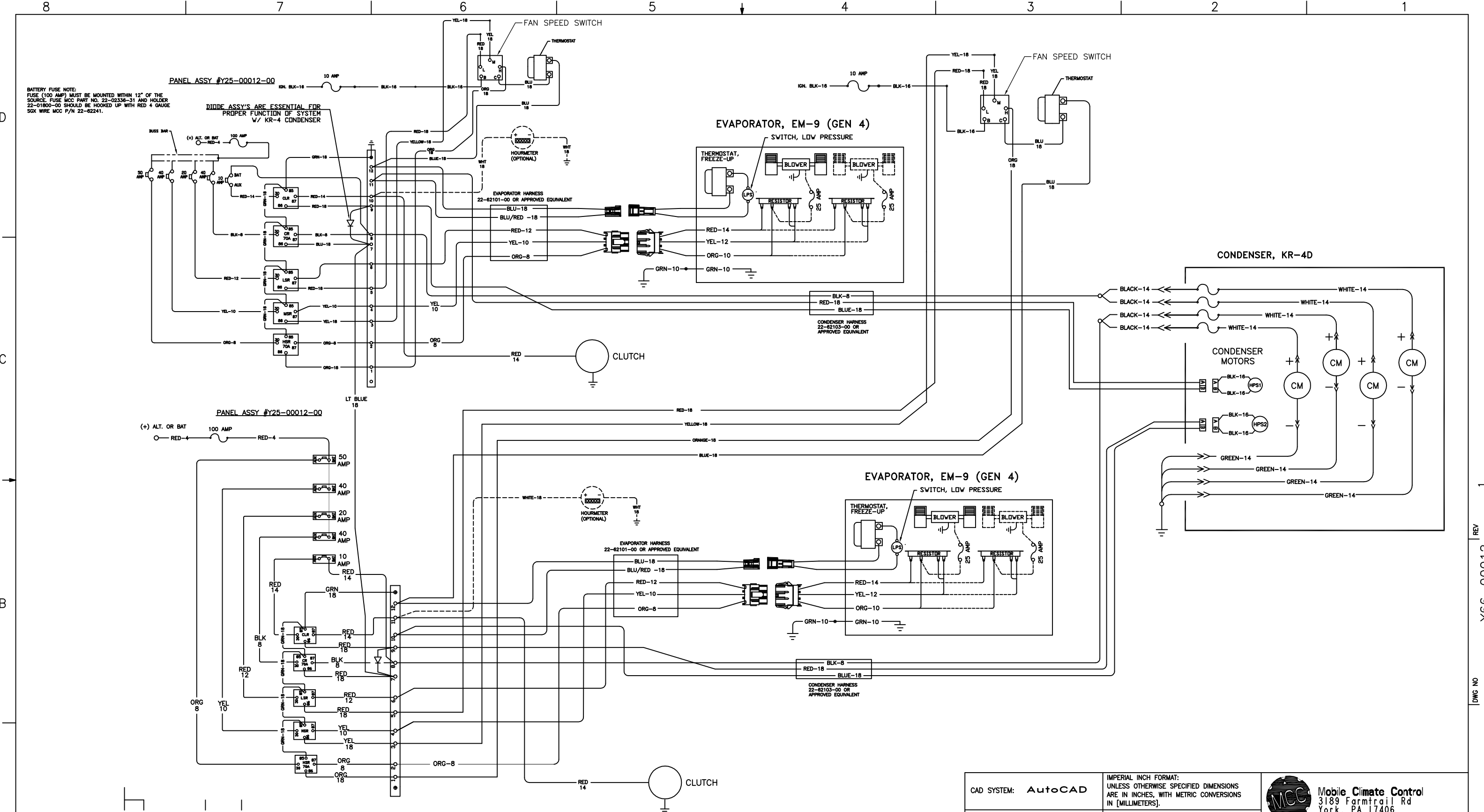


1	INITIAL RELEASE	JUL 16, 2012	L&T	SB	ECN0035Y12	
SYM	REVISION RECORD	DATE	BY	ENGR.	M.E.	NPCA NO.

CAD SYSTEM: <b>AutoCAD</b>		IMPERIAL INCH FORMAT: UNLESS OTHERWISE SPECIFIED DIMENSIONS ARE IN INCHES, WITH METRIC CONVERSIONS IN [MILLIMETERS].		<b>Mobile Climate Control</b> 3189 Farmtrail Rd York, PA 17406
THIRD ANGLE PROJECTION		UNLESS OTHERWISE SPECIFIED TOLERANCES ON: .00 DEC    .000 DEC    DEC    ANG ± .04    ± .020    ±    ± 2' [.0] DEC    [.00] DEC    DEC ±[1.0]    ±[.50]    ± [ ]		
MATERIAL		SURFACES ✓ AA		THIS DOCUMENT AND THE INFORMATION CONTAINED THEREIN IS PROPRIETARY TO MOBILE CLIMATE CONTROL AND SHALL NOT BE USED OR DISCLOSED TO OTHERS, IN WHOLE OR IN PART, WITHOUT THE WRITTEN AUTHORIZATION OF MOBILE CLIMATE CONTROL. TITLE <b>WIRE DIAGRAM</b> (2) EM GIV/ EM GV W/ KR4 3SPD
		HOLE DIA ± .005 ± [.13] HOLE SPACING ± .015 ± [.38] HOLE LOC ± .03 ± [.8] NON-CUMULATIVE		
		DIMENSIONS IN (PARENTHESIS) ARE FOR INFORMATION ONLY. TOLERANCES DO NOT APPLY.		SIZE D DRAWING NO. Y66-00012 SHEET 1 OF 2 REV 1
		NEXT DRAWING NONE		SCALE 1:2 PRINT DISTRIBUTION

1  
 REV Y66-00012  
 DWG NO  
 COMMUNITY CODE



1	INITIAL RELEASE	16 JUL, 12	L&T	SB	ECN0035Y12	
SYM	REVISION RECORD	DATE	BY	ENGR.	M.E.	NPCA NO.

CAD SYSTEM: AutoCAD

THIRD ANGLE PROJECTION

MATERIAL

IMPERIAL INCH FORMAT:  
UNLESS OTHERWISE SPECIFIED DIMENSIONS ARE IN INCHES, WITH METRIC CONVERSIONS IN [MILLIMETERS].

UNLESS OTHERWISE SPECIFIED TOLERANCES ON:  
 .00 DEC    .000 DEC    DEC    ANG  
 ± .04    ± .020    ±    ± 2°  
 [.0] DEC    [.00] DEC    DEC  
 ±[1.0]    ±[.50]    ± [   ]

SURFACES	HOLE DIA	HOLE SPACING	HOLE LOC
√ AA	± .005 ±[.13]	± .015 ±[.38] NON-CUMULATIVE	± .03 ±[.8]

WEIGHT \_\_\_\_\_ MFG/PURCH MFG

DIMENSIONS IN (PARENTHESIS) ARE FOR INFORMATION ONLY. TOLERANCES DO NOT APPLY.

Mobile Climate Control  
3189 Farmtrail Rd  
York, PA 17406

THIS DOCUMENT AND THE INFORMATION CONTAINED THEREIN IS PROPRIETARY TO MOBILE CLIMATE CONTROL AND SHALL NOT BE USED OR DISCLOSED TO OTHERS, IN WHOLE OR IN PART, WITHOUT THE WRITTEN AUTHORIZATION OF MOBILE CLIMATE CONTROL.

TITLE  
**WIRE DIAGRAM**  
(2)EM GIV W/KR4, 3 SPD

SIZE	DRAWING NO.	REV
D	Y66-00012	1
NEXT DRAWING	SCALE	REV
NONE	1:2	

COMMODITY CODE

1  
 REV Y66-00012  
 DWG NO  
 COMMUNITY CODE