

BCC SERVICE REPLACEMENT PARTS

for

TRANSIT COMPRESSORS

T-370PL

REV. 02/2023



TABLE OF CONTENTS

SERVICE PARTS **1**

INTRODUCTION 1

CONFIGURATION IDENTIFICATION 1

GENERAL NOTES 1

Compressor Oil Chart 1

Clutch/Compressor Tools 1

1 Compressors and Components - O5G -Twin Port and 3 Port Compressors 2

 1.1 Replacement Compressors 2

 1.2 Compressor Components - Shaft Seal-O5G -Twin Port and 3 Port Compressors 2

 1.3 Compressor Components - Oil Pump/Bearing End-O5G -Twin Port and 3 Port Compressors 3

 1.4 Compressor Components-O5G Twin Port ONLY- Valve Plates 4

 1.5 Compressor Components-O5G 3 Port ONLY- Valve Plates 5

 1.6 Compressor Components - Base Components-O5G -Twin Port and 3 Port Compressors 6

 1.7 Compressor Components - 05G Rods and Pistons-Twin Port and 3 Port Compressors 7

 1.8 Compressor Components - 05G Main Bearing and Misc. -Twin Port and 3 Port Compressors 8

 1.9 Compressor Components- 05G Shaft Seal Oil Reservoir Bottles 9

 1.10 Compressor Components- 05G Service Valves - Twin Port and 3 Port Compressors 10

 1.11 Compressor Components- 05G Unloader Valves - Twin Port and 3 Port Compressors 11

 1.12 Compressor Components- 05G Pressure to Electric Unloader Kits - Twin Port and 3 Port Compressors 11

2 05G Compressor Clutches, Warner 12

 2.1 05G Compressor Clutches, Warner, CW Armature 12

3 05G Compressor Clutches, Linnig 13

 3.1 05G Compressor Clutches, Linnig, CW Armature 13

4 Compressors and Components - O5K 14

 4.1 Replacement Compressor 14

 4.2 Compressor Components - Shaft Seal & Clutch Hub Adaptor-O5K 14

 4.3 Compressor Components - Oil Pump/Bearing End-O5K 14

 4.4 Compressor Components-Valve Plates, 05K 15

 4.5 Compressor Components - 05K, Internal/External Components 16

 4.6 Compressor Components - 05K, Service Valves 17

 4.7 Compressor Components - 05K, Unloaders 18

 4.8 Compressor Components - 05K, Gasket Set 19

5 05K Compressor Clutches, Warner 20

 5.1 05K Compressor Clutches, Warner, CW Armature 20

 5.2 05G & 05K Clutch Coils, Warner 20

6 05K Compressor Clutches, Linnig 21

 6.1 05K Compressor Clutches, Linnig, CW Armature 21

 6.2 05G & 05K Clutch Coils, Linnig 21

7 Compressor Components - 6NFC & 4NFC Bitzer - Replacement Compressor & Common Assembly Components 22

 7.1 Compressor Components - 6NFC & 4NFC Bitzer - Base Components 23

 7.2 Compressor Components - 6NFC & 4 NFC Bitzer - Valve Assemblies and Components 24

8 Bock FK40 & Bitzer 4NFC Clutches, Lang 25

9 Bock FK50 & Bitzer 6NFC Clutches, Lang 25



TABLE OF CONTENTS

10	Compressor Components - F400 Bitzer	26
11	Bitzer F400Y, Lang & Linnig Clutches	27
12	Compressor Components, Bock FK40/655K - Replacement Compressor & Common Assembly Components	28
12.1	Compressor Components - Bock FK40/655K - Base Components	29
12.2	Compressor Components - Bock FK40/655K - Valve Assemblies and Components	30
13	Compressor Components, Bock HGX34e/380-4A	32
13	Compressor Components, Bock HGX34e/380-4A (Continued)	33
14	Compressor Components, Bock HGX34P/380-2AK	34
14	Compressor Components, Bock HGX34P/380-2AK	35

SECTION 1 SERVICE PARTS

INTRODUCTION

This section provides identification of service replacement parts for the Bus Climate Control Transit Compressors and Mount Kits supplied.

CONFIGURATION IDENTIFICATION

Compressor identification information is provided on a plate (decal) located on the compressor assembly. This plate provides the unit model number and the unit serial number. The model number identifies the unit configuration and differences in detailed parts.

GENERAL NOTES

To find replacement parts, determine major group in which replacement parts are located and turn to the appropriate page for the illustrated breakdown of the replacement parts. The following letter designations are used to classify parts throughout this list. Parts can be obtained by ordering from the following website:

www.bcc-hvac.com

A/R As Required

N.S. Not Shown on Illustration

NSI Non-Stock Item (Items **may not be available** for purchase, or **may require extended lead times**)

NSS Not Sold Separately - Order next higher assembly or kit.

P-- Suffix P-- added to part number means part is available in packaged quantity only.

PL Purchase Locally



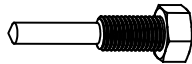
SS Stainless Steel

SV Suffix SV added to part number designates service replacement part.

Compressor Oil Chart

Part Number	Oil Type	Viscosity	Refrigerant	Application	Packaging
07-00430-00	Alkyl Benzene	300	R-22	05G & 05K	1 Gallon x 4
46-50008-00	Polyolester	68	R-134a	All Bitzer, Bock and Carlyle Models	1 Gallon x 4
46-50008-01	Polyolester	68	R-134a	All Bitzer, Bock and Carlyle Models	32oz. x 12

Clutch/Compressor Tools

Part Number	Description	Representation	Application	Qty
07-00242-01	Spanner Socket, 3"		05G & 05K	1
07-00381-00	Armature Removal Bolt 7/8" x 14 x 4"		05G & 05K	1
Y03-00002-00	Puller Screw		Bock/Lang	1

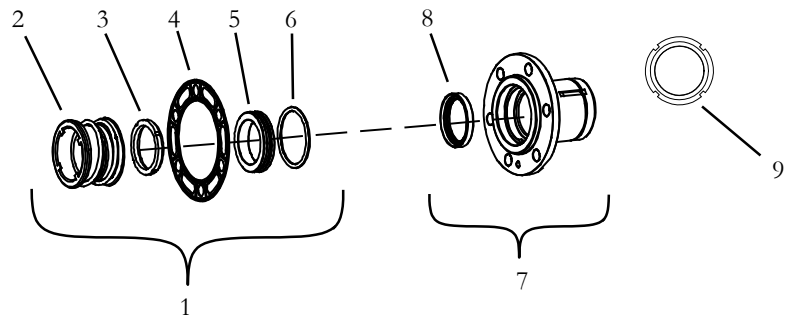


1 Compressors and Components - 05G -Twin Port and 3 Port Compressors

1.1 Replacement Compressors

Item	Part Number	Description	Qty
-	18-00059-169RM2	Compressor, 05G, Reman., 37 CFM, 3 Port, w/Parco Shaft & Alkyl Benzene Oil	1
-	17-44065-00	Compressor, 05G, Reman., 37 CFM, 3 Port, w/Parco Shaft & No Oil	1
-	17-44062-00	Compressor, 05G, Reman., 41 CFM, 3 Port, w/ POE Oil	1
-	Y61-05G02-98RMO	Compressor, 05G, 41 CFM, Twin Port, w/ POE Oil	1
-	Y61-05G02-98RM	Compressor, 05G, 41 CFM, Twin Port, w/o Oil	1
-	18-00063-163	Compressor, 05K, 24 CFM, w/o Oil	1

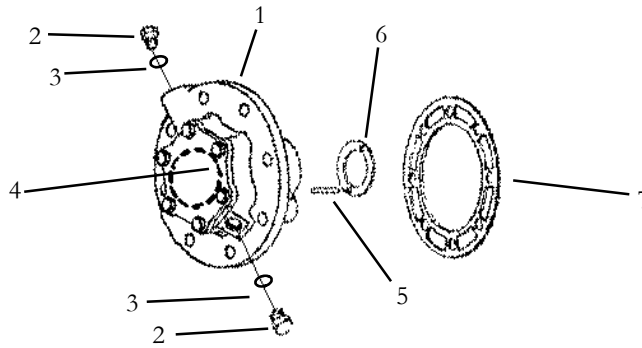
1.2 Compressor Components - Shaft Seal-05G -Twin Port and 3 Port Compressors



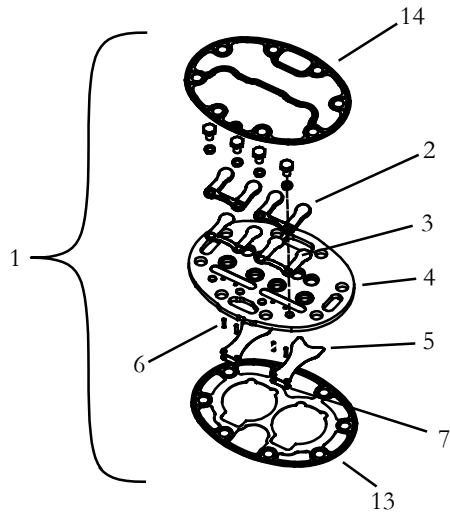
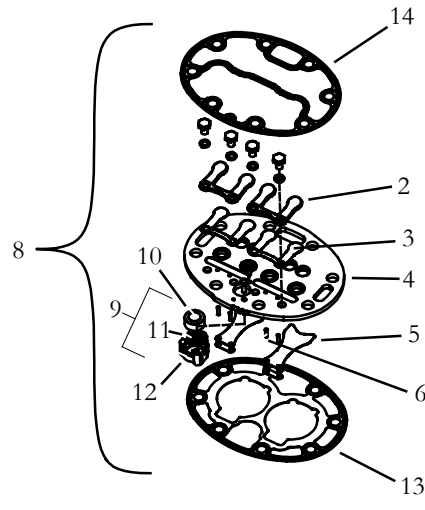
Item	Part Number	Description	Qty
1	17-57026-00	Seal Assembly, Shaft, Includes:	1
2	NSS	Spring and Bellows Assembly	1
3	NSS	Rotor, Seal	1
4	17-44004-06	Gasket, Seal Cover (Metal)	1
5	NSS	Stator, Seal	1
6	NSS	O-Ring, Stator	1
7	17-44767-00	Hub Assembly, Housing Mounted Clutch, Twin Port, Includes: #8 Lip Seal	1
	17-44041-01	Hub Assembly, Housing Mounted Clutch, Three Port, Includes: #8 Felt ring	1
8	17-44765-00	Seal, Lip, Twin Port, (With Reservoir)	1
	17-44042-00	Felt Ring, Three Port, (Without Reservoir)	1
4	17-44004-06	Gasket, Seal Cover (Metal)	1
9	Y29-00136-00	Nut, Hub (Without grease fitting port) (Superseded from 34-06083-00)	1



1.3 Compressor Components - Oil Pump/Bearing End-05G -Twin Port and 3 Port Compressors



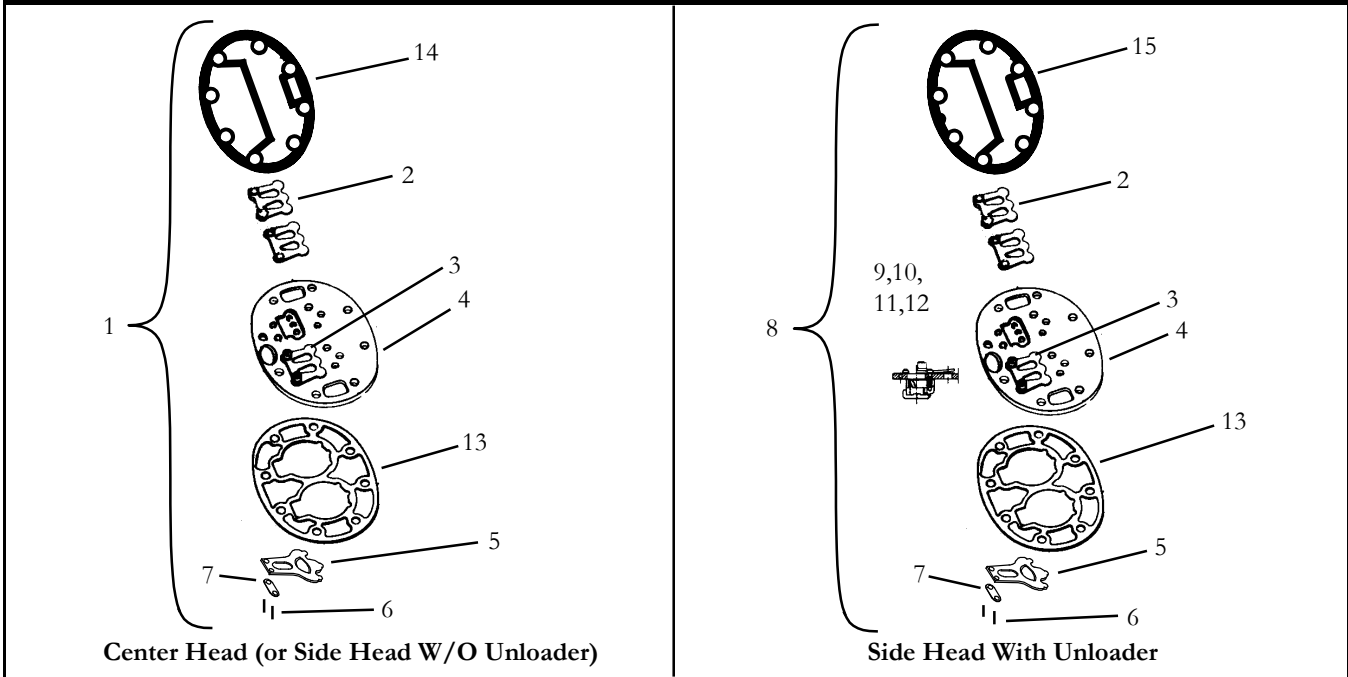
Item	Part Number	Description	Qty
1	17-44137-00	Oil Pump/Bearing Head, Includes:	1
2	17-44037-00	Plug, O-Ring, 7/16" - 20, Includes:	2
3	42-00243-07	O-Ring	2
4	17-44139-00	Pump Cover O-ring	1
5	17-40204-00	Roll Pin, 1/8" x 1/2"	2
6	17-55009-01	Thrustwasher, Pump End	1
7	17-40078-05	Gasket, Bearing Head (Fiber)	1
	17-44022-00	Gasket, Bearing Head (Metal)	1

1.4 Compressor Components-05G Twin Port ONLY- Valve Plates

Center Head (or Side Head W/O Unloader)

Side Head With Unloader

Item	Part Number	Description	Qty
1	17-44742-00	Valve Plate Assembly, Center Head or Side head no Unloader, Includes:	1
2	17-44750-01	Backer, Discharge Valve	2
3	17-44749-00	Valve, Discharge	2
4	NSS	Valve Plate	1
5	17-44748-00	Valve, Suction	2
6	17-40057-00	Dowel Pin, Suction Valve	4
7	17-44751-00	Spring, Suction Valve	2
8	17-44744-00	Valve Plate Assembly, Side Head with Unloader	1
2	17-44750-01	Backer, Discharge Valve	2
3	17-44749-00	Valve, Discharge	2
4	NSS	Valve Plate	1
5	17-44748-00	Valve, Suction	2
6	17-40057-00	Dowel Pin, Suction Valve	4
7	17-44751-00	Spring, Suction Valve	2
9	17-55012-00	Check Valve, Unloader, Includes:	1
10	17-40104-08	Piston, Check Valve	1
11	NSS	Spring, Check Valve	1
NS	NSS	Screw, Phillips	1
12	NSS	Check Valve Body	1
13	17-44746-00	Gasket, Valve Plate, Center or Side Head	1
14	17-44747-00	Gasket, Cylinder Head, Center or Side Head	1



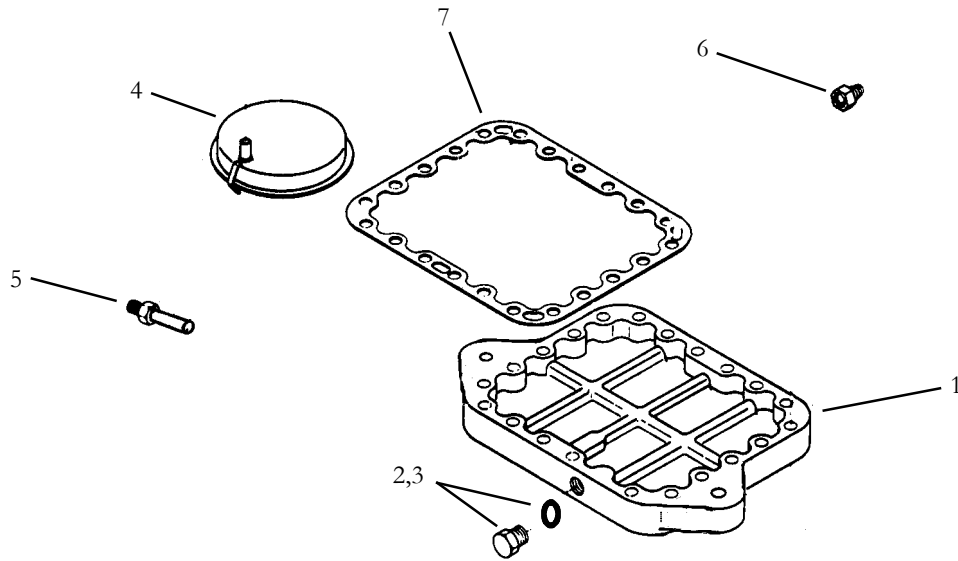
1.5 Compressor Components-05G 3 Port ONLY- Valve Plates



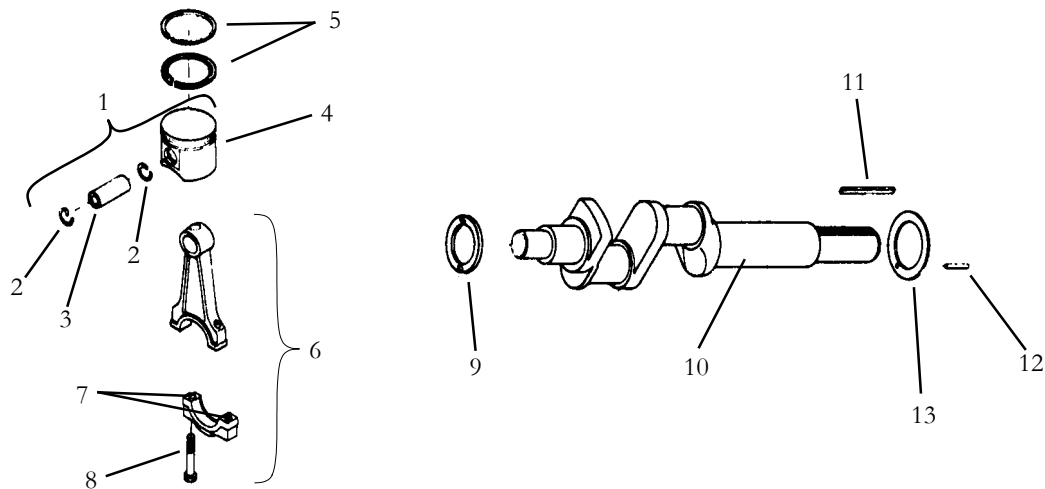
Item	Part Number	Description	Qty
1	17-44107-00	Valve Plate Assembly, Center Head or Side head no Unloader, Includes:	1
2	17-44160-00	Backer, Discharge Valve	2
3	17-40086-00	Valve, Discharge	2
4	NSS	Valve Plate	1
5	17-44111-00	Valve, Suction	2
6	17-40057-00	Dowel Pin, Suction Valve	4
7	17-40083-00	Spring, Suction Valve	2
8	17-44106-00	Valve Plate Assembly, Side Head with Unloader	1
2	17-44160-00	Backer, Discharge Valve	2
3	17-40086-00	Valve, Discharge	2
4	NSS	Valve Plate	1
5	17-44111-00	Valve, Suction	2
6	17-40057-00	Dowel Pin, Suction Valve	4
7	17-40083-00	Spring, Suction Valve	2
9	17-55012-00	Check Valve, Unloader, Includes:	1
10	17-40104-08	Piston, Check Valve	1
11	NSS	Spring, Check Valve	1
NS	NSS	Screw, Phillips	1
12	NSS	Check Valve Body	1
13	17-44007-06	Gasket, Valve Plate, Center or Side Head	1
14	17-44123-00	Gasket, Cylinder Head, Center	1
15	17-44126-00	Gasket, Cylinder Head, Side Head (Hot Gas Bypass Unloader)	1



1.6 Compressor Components - Base Components-05G -Twin Port and 3 Port Compressors



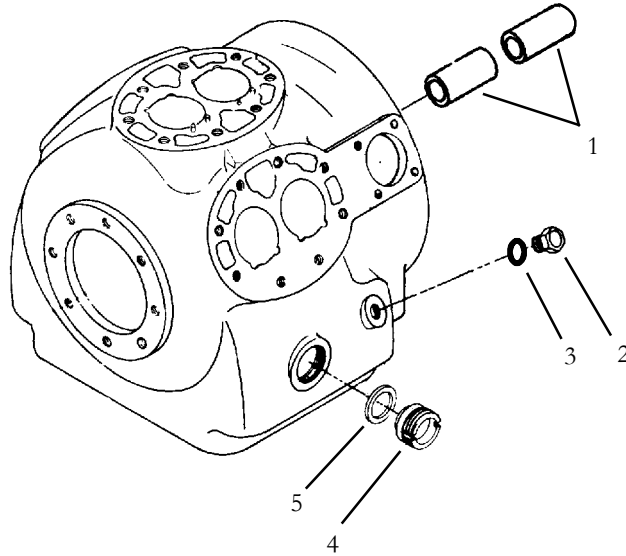
Item	Part Number	Description	Qty
1	17-44035-00	Bottom Plate, Aluminum	1
2	17-44037-00	Plug, O-ring, 7/16" -20, Includes:	1
3	42-00243-07	O-Ring	1
4	17-40020-00	Oil Filter Screen Assembly	1
5	17-44011-00	Oil Relief Valve (Pressure Regulator)	1
6	17-40042-00	Oil Return Check Valve Assembly	2
7	17-44129-00	Gasket, Bottom Plate (Metal)	1

1.7 Compressor Components - 05G Rods and Pistons-Twin Port and 3 Port Compressors


Item	Part Number	Description	Qty
1	17-44045-01	Piston, 05G37 CFM, Flat, Standard- Includes:	6
	17-44045-03	Piston, 05G37 CFM, Flat, .020 Inch Oversize- Includes:	
	17-44121-01	Piston, 05G41 CFM, Flat, Standard- Includes:	
	17-44122-01	Piston, 05G41 CFM, Flat, .020 Inch Oversize- Includes:	
2	NSS	Retainer, Piston Pin	2
3	NSS	Pin, Piston	1
4	NSS	Piston	1
5	17-40055-00	Ring, Compression (Standard)	12
	17-55025-00	Ring, Compression (0.20 Inch Oversize)	
6	17-40056-02	Connecting Rod and Cap Assembly, (Standard) - Includes:	6
	17-55023-00	Connecting Rod and Cap Assembly, (.010 Inch Undersized) - Includes:	A/R
7	17-40057-00	Pin, Dowel	2
8	17-55008-00	Capscrew (Special)	2
9	17-55009-01	Thrustwasher, Pump End	1
10	17-44074-00	Crankshaft Assembly, 05G37 CFM	1
	17-44075-00	Crankshaft Assembly, 05G41 CFM	
11	17-40324-00	Crankshaft Key, 1/4" x 1/4" x 1 1/2" Long (For Shaft Mounted Clutch)	1
	68G2-9072	Crankshaft Key, Special, (Housing Mounted Clutch)	
12	17-44036-00	Pin, Spiral, 1/8" x 1/2" Long	1
13	17-44008-00	Thrustwasher, Seal End	1



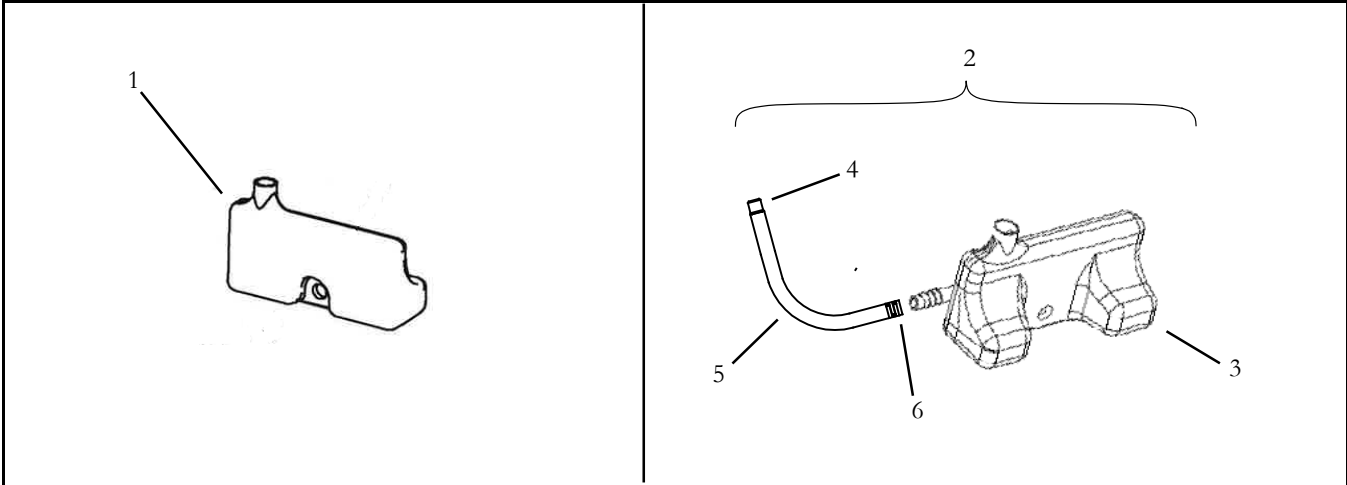
1.8 Compressor Components - 05G Main Bearing and Misc. -Twin Port and 3 Port Compressors



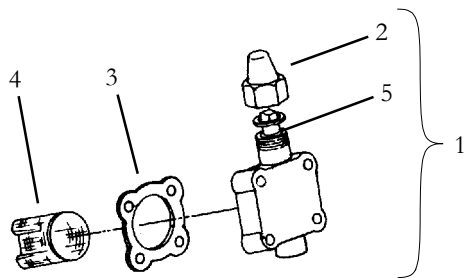
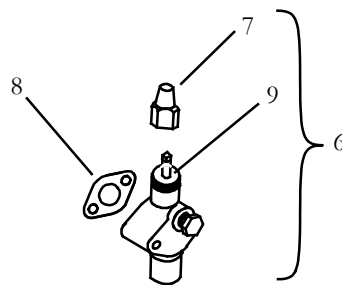
Item	Part Number	Description	Qty
1	17-44015-00	Main Bearing, Seal End (Requires Line Boring)	2
2	17-44037-00	Plug, O-ring, 7/16" - 20, Includes:	1
3	42-00243-07	O-Ring	1
4	17-10218-00	Sight Glass, Oil Level	2
5	17-10218-02	Gasket, (Fiber)	1
	17-44021-00	Gasket, (Metal)	
NS	17-44775-00	Gasket Set, Metal (Twin Port)	1



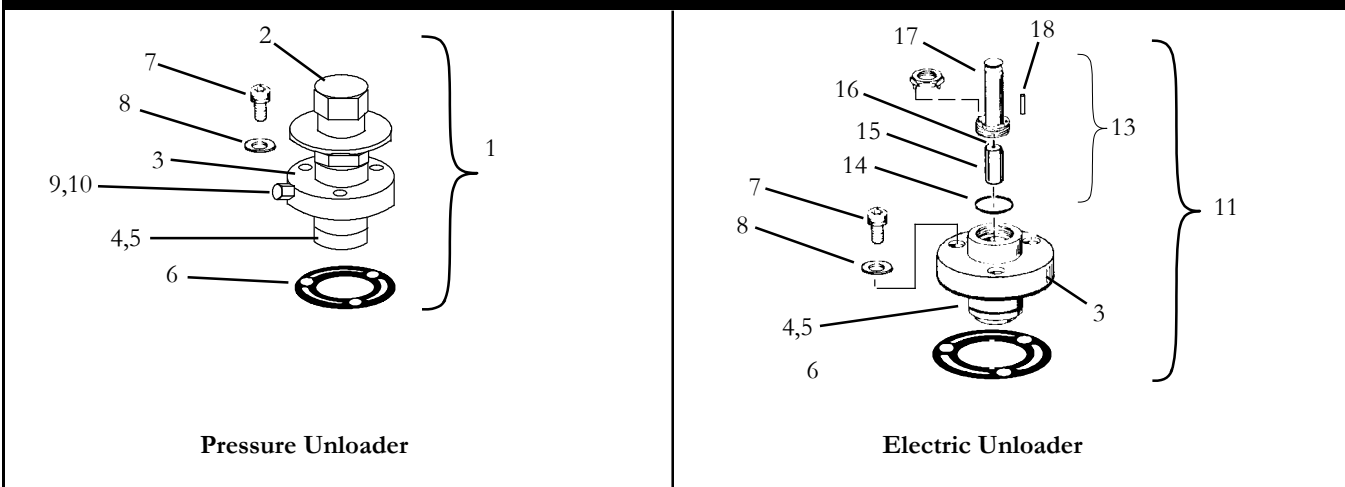
1.9 Compressor Components- 05G Shaft Seal Oil Reservoir Bottles



Item	Part Number	Description	Qty
1	17-44771-00	Oil Reservoir bottle (top access)	1
2	Y19-PRT03-00	Oil Reservoir Kit, Includes:	1
3	Y60-00041-00	Reservoir Bottle (05G02 Models)	1
4	Y39-00017-04	Plug, 5/16" ID Hose	1
5	NSS	Tube, 5/16" ID Hose	1
6	NSS	Clamp, Spring 7/16" OD Hose	1

1.10 Compressor Components- 05G Service Valves - Twin Port and 3 Port Compressors

Suction Service Valves

Discharge Service Valves

Item	Part Number	Description	Qty
1	17-31062-00	Valve, Service, 1 1/8" ODF	1
	17-40002-01	Valve, Service, 1 3/8" ODF	
2	17-10812-01	Cap, Service Valve, (Plastic)	1
	17-10806-10	Cap, Service Valve, (Brass)	
3	17-40005-05	Gasket, 4 Bolt Service Valve, (Fiber)	1
	17-44141-00	Gasket, 4 Bolt Service Valve, (Metal)	
4	17-44005-00	Strainer, Suction	1
5	34-50022-00	Packing Kit, Service Valve Stem (4-Bolt)	1
6	14-01042-07	Valve, Service, 7/8" ODF, (1/8" FPT Gauge Port)	1
	14-00206-01	Valve, Service, 7/8" ODF, (M15 Gauge Port For R-134a)	
7	17-10812-01	Cap, Service Valve (Plastic)	1
	17-10806-10	Cap, Service Valve (Brass)	
8	17-10811-05	Gasket, 2 Bolt Service Valve, (Fiber)	1
	17-44138-00	Gasket, 2 Bolt Service Valve, (Metal)	
9	34-50082-00	Graphite Packing, Service Valve Stem (2 Bolt)	1

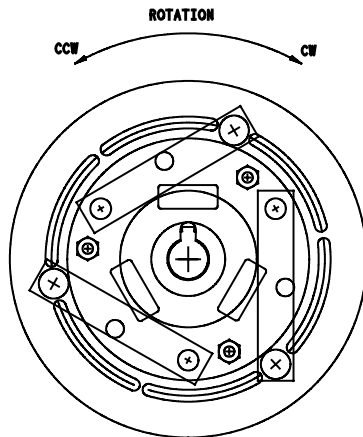
1.11 Compressor Components- 05G Unloader Valves - Twin Port and 3 Port Compressors


Item	Part Number	Description	Qty
1	17-55018-01	Valve Assembly, Pressure, Includes:	1
2	NSS	Power Assembly, (Suction Pressure Activated)	1
3	NSS	Body Assembly, Valve	1
4	17-40409-00	Piston, Unloader, Includes:	1
5	NSS	Ring, Piston	1
6	17-40104-07	Gasket, Unloader Valve	1
7	17-40111-00	Screw, Socket Head, 1/4" - 28 x 3/4" Long	3
8	17-40104-20	Gasket, Socket Head Screw, 1/4"	3
9	NSS	Cap, Adjustment Screw	1
10	NSS	O-Ring, Adjustment Screw Cap	1
11	17-40417-00	Valve Assembly, Electric, Includes:	1
12	NSS	Body Assembly, Valve	1
4	17-40409-00	Piston, Unloader, Includes:	1
5	NSS	Ring, Piston	1
6	17-40104-07	Gasket, Unloader Valve	1
7	17-40111-00	Screw, Socket Head, 1/4" - 28 x 3/4" Long	3
8	17-40104-20	Gasket, Socket Head Screw, 1/4"	3
13	17-40418-00	Kit, Valve Stem Repair (For 17-40417-00), Includes:	1
14	42-00243-03	Gasket, O-Ring	1
15	NSS	Plunger Assembly	1
16	NSS	Spring, Plunger	1
17	NSS	Enclosing Tube	1
18	34-06026-00	Pin, Unloader Coil Retainer	1

1.12 Compressor Components- 05G Pressure to Electric Unloader Kits - Twin Port and 3 Port Compressors

Item	Part Number	Description	Qty
NS	74-50111-00	Kit, Conversion, Pressure Hot gas Bypass to Electric, R-134a (24 VDC)	1
	74-50111-01	Kit, Conversion, Pressure Hot gas Bypass to Electric, R-22 (24 VDC)	

2 05G Compressor Clutches, Warner



Drawing For Reference Only

Multiple Size Pulley Grooves Designate Grooves
Closest to Compressor First in Description

WARNER

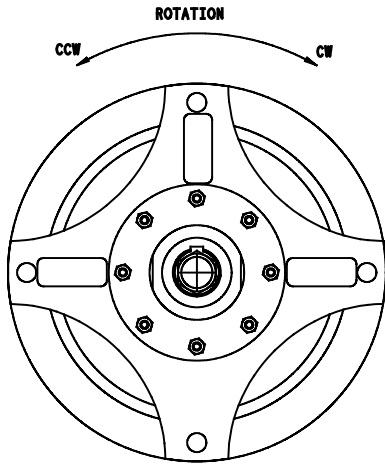
LEAF SPRINGS SHOWN FOR CW ROTATION
LEAF SPRINGS REVERSED BY MFR. FOR CCW ROTATION

2.1 05G Compressor Clutches, Warner, CW Armature

Item	Part Number	Description	Qty
1	Y60-00045-01	Clutch, 24 VDC, 2-C Grooves, 9.0 Inch O.D., (Was 50-01122-01)	1
2	Y60-00045-02	Clutch, 24 VDC, 3-3V Grooves, 8.48 Inch O.D., (Was 50-01122-02)	1
3	Y60-00045-03	Clutch, 12 VDC, 2-C Grooves, 9.0 Inch O.D., (Was 50-01122-04)	1
4	Y60-00045-04	Clutch, 24 VDC, 2-B Grooves, 9.0 Inch O.D., (Was 50-01122-07)	1
5	Y60-00045-05	Clutch, 12 VDC, 2-B Grooves, 9.0 Inch O.D., (Was 50-01122-08)	1
6	Y60-00045-19	Clutch, 24 VDC, 2-A Groove & 2 (Deep Groove) B, 10.354 Inch O.D., (Was 50-01122-09)	1
7	Y60-00045-24	Clutch, 12 VDC, 8 Groove Poly & 2B, 10.2 Inch O.D., (Was 50-01122-10)	1
8	Y60-00045-25	Clutch, 24 VDC, 8 Groove Poly & 2B, 10.204 Inch & 9.44 Inch O.D. (Was 50-01122-11)	1
9	Y60-00045-06	Clutch, 24 VDC, 2-5V Grooves, 8.70 Inch O.D., (Was 50-01122-12)	1
10	Y60-00045-08	Clutch, 24 VDC, 2-5V Grooves, 10.50 Inch O.D., (Was 50-01122-14)	1
11	Y60-00045-10	Clutch, 12 VDC, 2 (Deep Groove) B & 2-A Groove, 10.354 O.D., (Was 50-01122-18)	1
12	Y60-00045-11	Clutch, 24 VDC, 2 (Deep Groove) B & 2-A Groove, 10.354 O.D. (Was 50-01122-19)	1
13	Y60-00045-13	Clutch, 24 VDC, 2-A Groove & 2 (Deep Groove) B, 10.315 Inch O.D. (Was 50-01122-20)	1
14	Y60-00045-16	Clutch, 24 VDC, 2-B Grooves, 10.50 Inch O.D., (Was 50-01122-22)	1
15	Y60-00045-20	Clutch, 24 VDC, 1-C Groove, 9.0 Inch O.D., (Was 50-01122-26)	1
16	Y60-00045-12	Clutch, 12 VDC, 2-A Groove & 2 (Deep Groove) B, 10.315 Inch O.D. (Was 50-01122-32)	1
17	Y60-00045-29	Clutch, 24 VDC, 2-A Groove & 2-B Groove, 10.315 & 9.646 Inch O.D. (Was 50-01122-35)	1
18	Y60-00045-31	Clutch, 24 VDC, 2-A Groove & 2-B Groove, 8.286 & 9.016 Inch O.D. (Was 50-01122-38)	1
19	Y60-00045-32	Clutch, 24 VDC, 3-3V Grooves, 10.705 O.D., (Was 50-01122-39)	1
20	Y60-00045-90	Coil, Clutch, 24 VDC, (Was 50-01122-50)	1
21	Y60-00045-91	Coil, Clutch, 12 VDC, (Was 50-01122-41)	1
22	04-00130-00	Bearing, Clutch	1
23	34-01186-00	Snap Ring, Bearing	1



3 05G Compressor Clutches, Linnig



LINNIG

Drawing For Reference Only

Multiple Size Pulley Grooves Designate Grooves Closest to Compressor First in Description

3.1 05G Compressor Clutches, Linnig, CW Armature

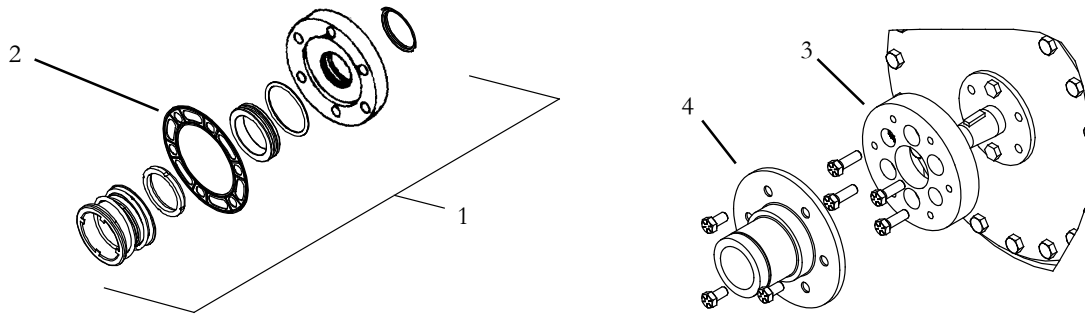
Item	Part Number	Description	Qty
1	50-00226-09	Clutch, 24 VDC, 2-A Groove & 2 (Deep Groove) B, 10.354 Inch O.D.	1
2	50-00226-12	Clutch, 24 VDC, 2-5V Grooves, 8.70 Inch O.D.	1
3	50-00226-17	Clutch, 24 VDC, 2-C & 2-AB Grooves, 9.0 & 10.0 Inch O.D.	1
4	50-00226-18	Clutch, 12 VDC, 2 (Deep Groove) B & 2-A Groove, 10.354 O.D.	1
5	50-00226-19	Clutch, 24 VDC, 2 (Deep Groove) B & 2-A Groove, 10.354 O.D.	1

4 Compressors and Components - 05K

4.1 Replacement Compressor

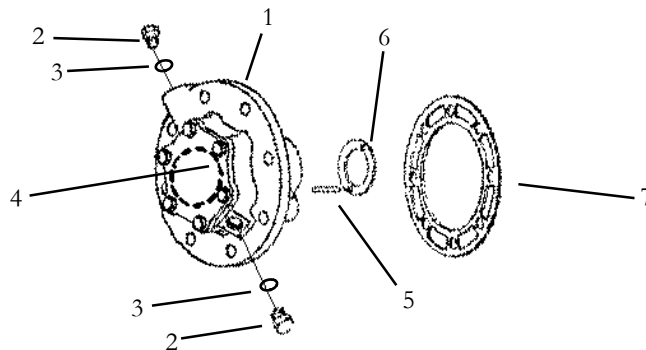
Item	Part Number	Description	Qty
1	18-00056-100RM	Compressor, 05K, Reman., 24 CFM, No Oil	1

4.2 Compressor Components - Shaft Seal & Clutch Hub Adaptor-05K



Item	Part Number	Description	Qty
1	17-44740-00	Seal Assembly, Shaft, Includes:	1
2	17-44713-00Z	Gasket, Seal Plate (Shaft)	1
3	Y60-00040-00	Adapter, Clutch, 05K	1
4	Y60-00043-00	Clutch Bearing Hub. 05K	1

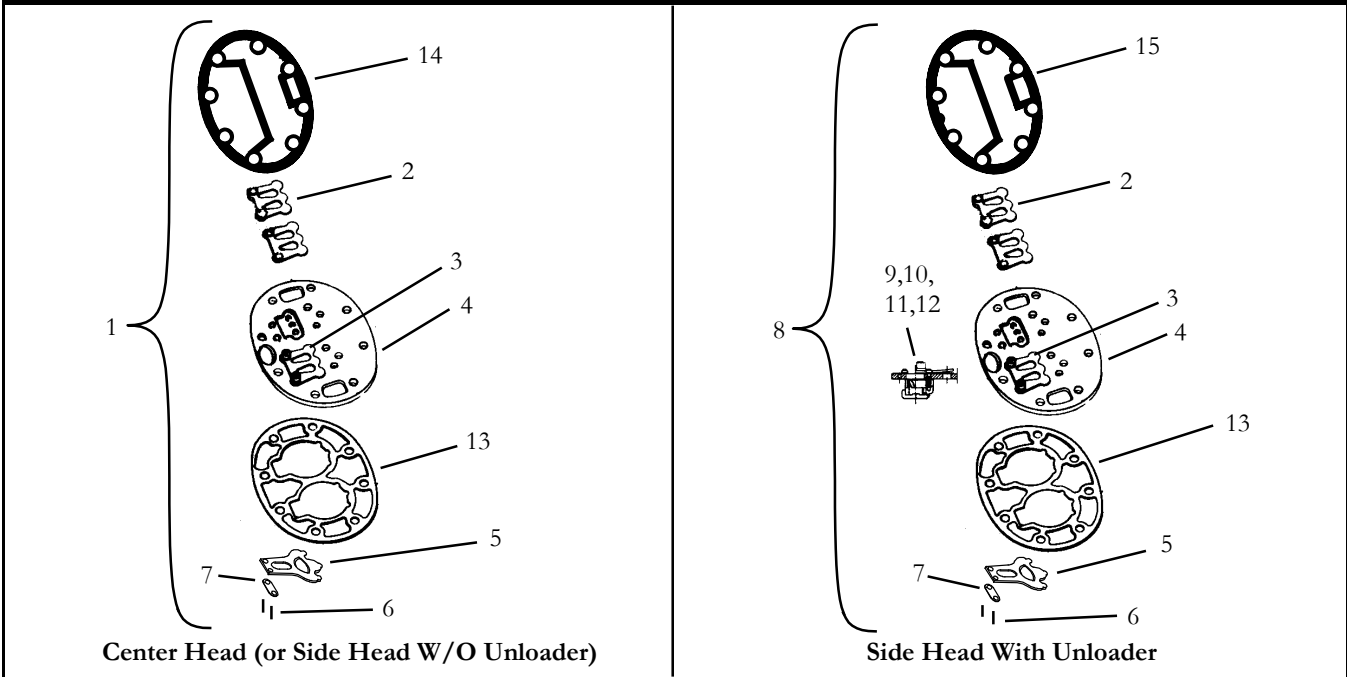
4.3 Compressor Components - Oil Pump/Bearing End-05K



Item	Part Number	Description	Qty
1	17-44137-00	Oil Pump/Bearing Head, Includes:	1
2	17-44037-00	Plug, O-Ring, 7/16" - 20, Includes:	2
3	42-00243-07	O-Ring	2
4	17-44139-00	Pump Cover O-ring	1
5	17-40204-00	Roll Pin, 1/8" x 1/2"	2
6	17-55009-01	Thrustwasher, Pump End	1
7	17-40078-05	Gasket, Bearing Head (Fiber)	1
	17-44022-00	Gasket, Bearing Head (Metal)	1



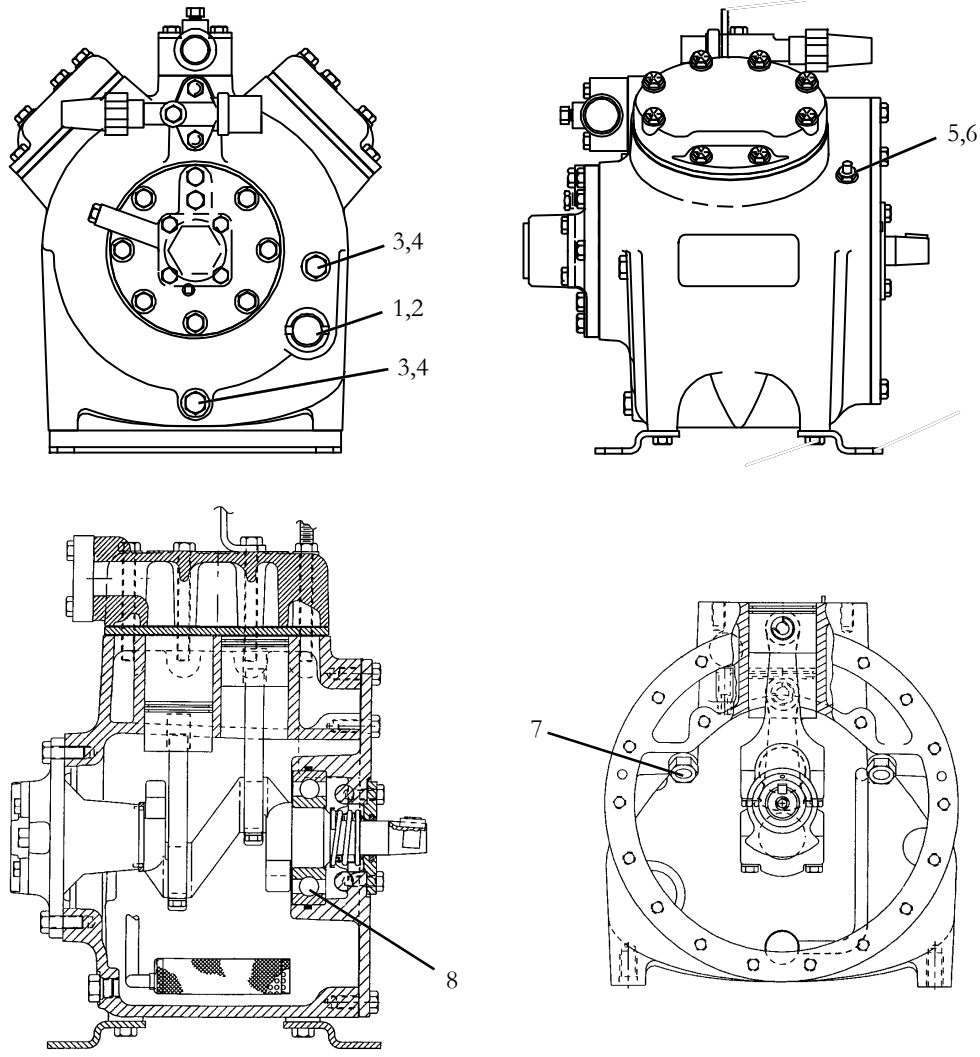
4.4 Compressor Components-Valve Plates, 05K



Item	Part Number	Description	Qty
1	17-44107-00	Valve Plate Assembly, Center Head or Side head no Unloader, Includes:	1
2	17-44160-00	Backer,Discharge Valve	2
3	17-40086-00	Valve, Discharge	2
4	NSS	Valve Plate	1
5	17-44111-00	Valve, Suction	2
6	17-40057-00	Dowel Pin, Suction Valve	4
7	17-40083-00	Spring, Suction Valve	2
8	17-44106-00	Valve Plate Assembly, Side Head with Unloader	1
2	17-44160-00	Backer,Discharge Valve	2
3	17-40086-00	Valve, Discharge	2
4	NSS	Valve Plate	1
5	17-44111-00	Valve, Suction	2
6	17-40057-00	Dowel Pin, Suction Valve	4
7	17-40083-00	Spring, Suction Valve	2
9	17-55012-00	Check Valve, Unloader, Includes:	1
10	17-40104-08	Piston, Check Valve	1
11	NSS	Spring, Check Valve	1
NS	NSS	Screw, Phillips	1
12	NSS	Check Valve Body	1
13	17-55002-00	Gasket, Valve Plate, Center or Side Head	1
14	17-44124-00	Gasket, Cylinder Head, No Unloader	1
15	17-44126-00	Gasket, Cylinder Head, Side Head (Hot Gas Bypass Unloader)	1



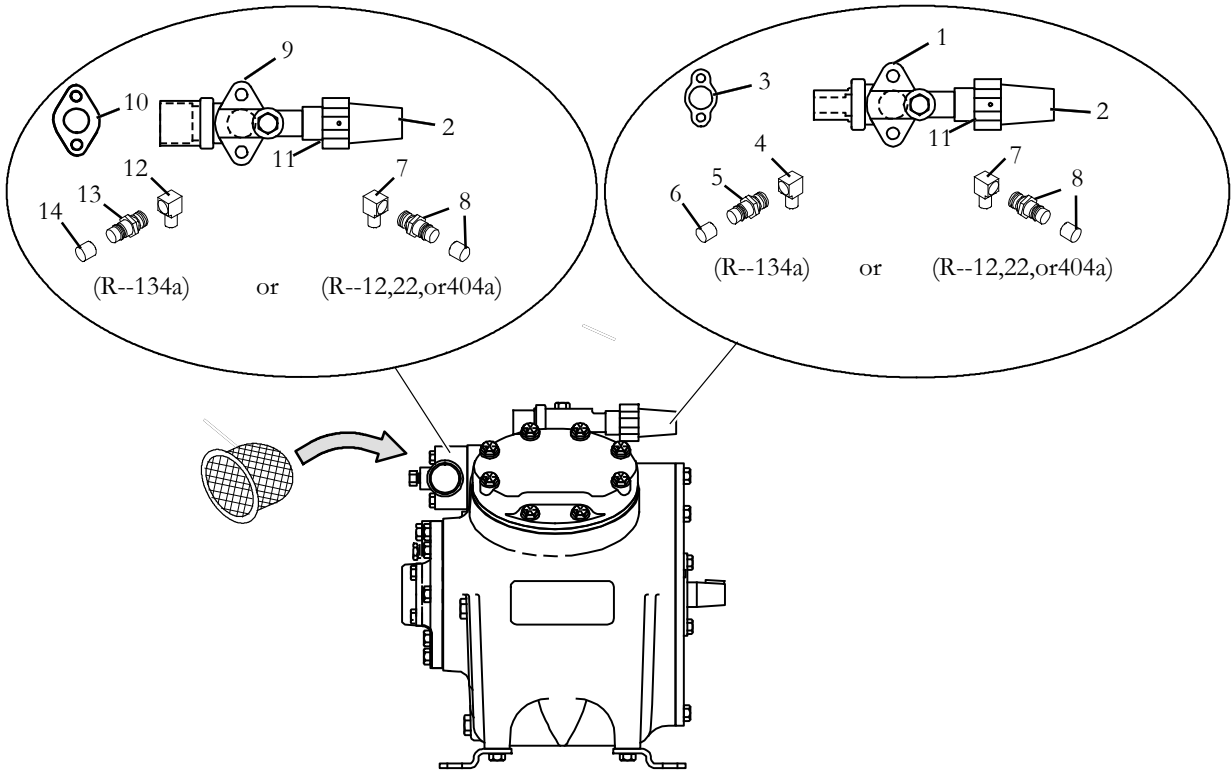
4.5 Compressor Components - 05K, Internal/External Components



Item	Part Number	Description	Qty
1	17-10218-00	Sight Glass w/Gasket	1
2	17-44021-00	Gasket	1
3	17-44037-00	Plug, O-ring, 7/16" -20, Includes:	1
4	42-00243-07	O-Ring	1
5	06DA-403---844	Valve, Access, 1/4" Flare w/Schrader	1
6	0TB0889	Valve, Access, 7/16" - 20 x 1/4" Flare w/Schrader	1
7	17-40042-00	Valve, Oil Return	2
8	17-44722-00	Bearing, Main (Seal End)	1



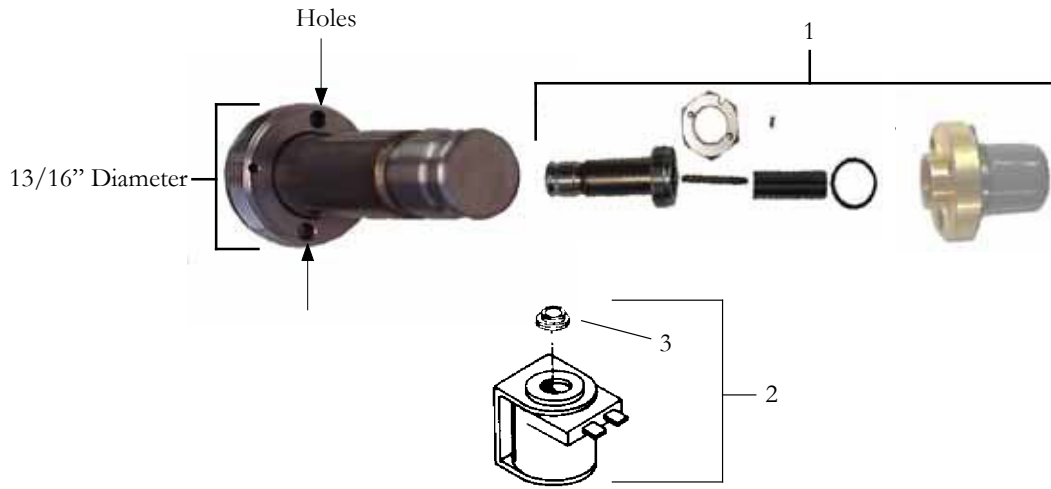
4.6 Compressor Components - 05K, Service Valves



1	14-01042-10	Valve, Service (Discharge) 7/8" ODS	1
2	17-10812-01	Cap, Service Valve (Plastic)	1
	17-10806-10	Cap, Service Valve (Brass)	1
3	17-21003-00	Gasket, Service Valve (Fiber)	1
4	40-00524-01	Elbow, 1/8" MPT x M15 - Brass (for 134a)	1
5	40-00520-01	Coupling, M15, High Side Brass - Includes:	1
6	40-00520-03	Cap, Service Port	1
7	40-00060-08	Elbow, 1/8" MPT x 1/4" FPT - Brass (for R22)	1
8	06DA-403---844	Valve, Access, (1/4" Flare w/Schrader)	1
9	14-01042-09	Valve, Service (Suction) 1- 1/8" ODS	1
10	17-10811-05	Gasket, Service Valve	1
11	34-50082-00	Graphite Packing, Service Valve Stem (2 Bolt)	1
12	40-00524-00	Elbow, 1/4" MPT x M13 - Brass (for 134a)	1
13	40-00520-00	Coupling, M13, Low Side Brass - Includes:	1
14	40-00520-02	Cap, Service Port	1



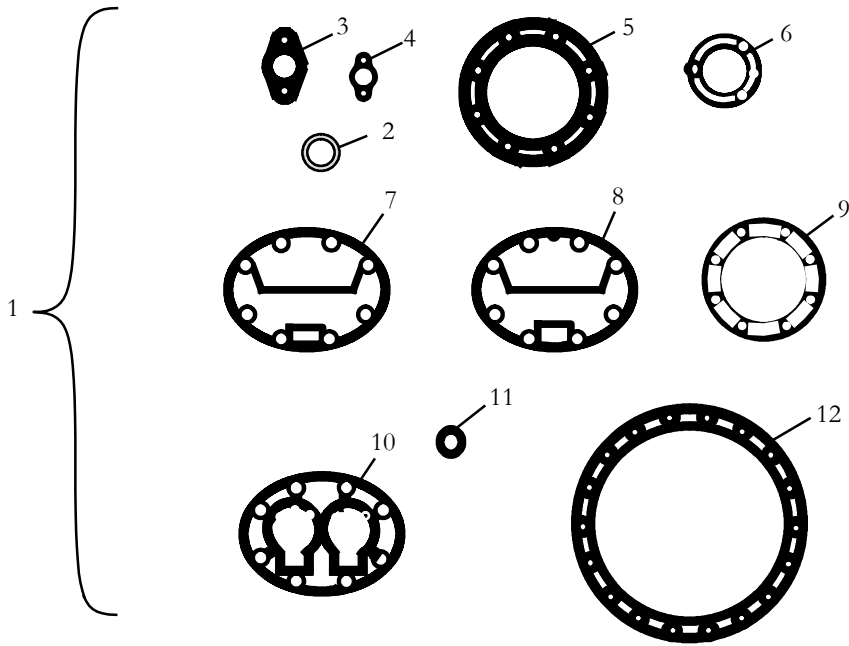
4.7 Compressor Components - 05K, Unloaders



Item	Part Number	Description	Qty
1	17-40417-00	Valve Assembly	1
2	22-02567-00	Coil,Valve, 12 VDC w/ Spade Terminal (Includes Snap Cap)	1
	22-50030-00	Coil,Valve, 24 VDC w/42" Leads (Includes Snap Cap)	1
3	17-40408-02	Snap Cap	1



4.8 Compressor Components - 05K, Gasket Set



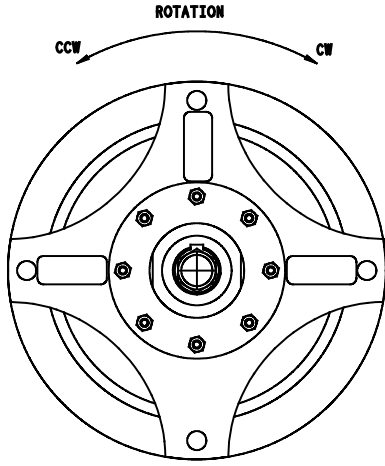
Item	Part Number	Description	Qty
1	17-44707-00	Gasket Set - Includes:	1
2	17-44021-00	Gasket, Sight Glass (Metal)	1
3	17-10811-05	Gasket, Suction Service Valve (2 Bolt) - 1-3/4" Center	1
4	17-21003-00	Gasket, Discharge Service Valve	1
5	17-44022-00	Gasket, Oil Pump Bearing Head	1
6	17-40104-07	Gasket, Unloader Body	2
7	17-44123-00	Gasket, Cylinder Head (No Unloader)	1
8	17-44126-00	Gasket, Side Bank w/Hot Gas Bypass Unloader	1
9	17-44713-00Z	Gasket, Seal Plate (Shaft)	1
10	17-55002-00	Gasket, Valve Plate	2
11	17-44712-00Z	O-Ring	1
12	17-44024-00Z	Gasket, Front Cover (4 Cylinder)	1



5 05K Compressor Clutches, Warner			
5.1 05K Compressor Clutches, Warner, CW Armature			
Item	Part Number	Description	Qty
1	Y60-00045-07	Clutch, 24 VDC, 2-B Grooves, 9.0 Inch O.D., (Was 50-01122-13)	1
2	Y60-00045-09	Clutch, 12 VDC, 2-B Grooves, 9.0 Inch O.D., (Was 50-01122-15)	1
3	Y60-00045-14	Clutch, 24 VDC, 2 (Deep Groove) B & 2-A Groove, 10.354 O.D. (Was 50-01122-21)	1
4	Y60-00045-17	Clutch, 24 VDC, 2-A Groove & 2 (Deep Groove) B, 10.315 Inch O.D. (Was 50-01122-23)	1
5	Y60-00045-21	Clutch, 12 VDC, 8 Groove Poly & 2 B Groove, 10.2 Inch O.D., (Was 50-01122-27)	1
6	Y60-00045-23	Clutch, 24 VDC, 8 Groove Poly & 2 B Groove, 10.2 Inch O.D., (Was 50-01122-28)	1
7	Y60-00045-26	Clutch, 24 VDC, 1-C Groove, 9.0 Inch O.D., (Was 50-01122-29)	1
8	Y60-00045-27	Clutch, 12 VDC, 2-A Groove & 2 (Deep Groove) B, 10.315 Inch O.D. (Was 50-01122-31)	1
9	Y60-00045-28	Clutch, 24 VDC, 2-5V Grooves, 10.50 Inch O.D., (Was 50-01122-33)	1
5.2 05G & 05K Clutch Coils, Warner			
1	Y60-00045-90	Coil, Clutch, 24 VDC, (Was 50-01122-50)	1
2	Y60-00045-91	Coil, Clutch, 12 VDC, (Was 50-01122-41)	1



6 05K Compressor Clutches, Linnig



Drawing For Reference Only

Multiple Size Pulley Grooves Designate Grooves Closest to Compressor First in Description

LINNIG

6.1 05K Compressor Clutches, Linnig, CW Armature

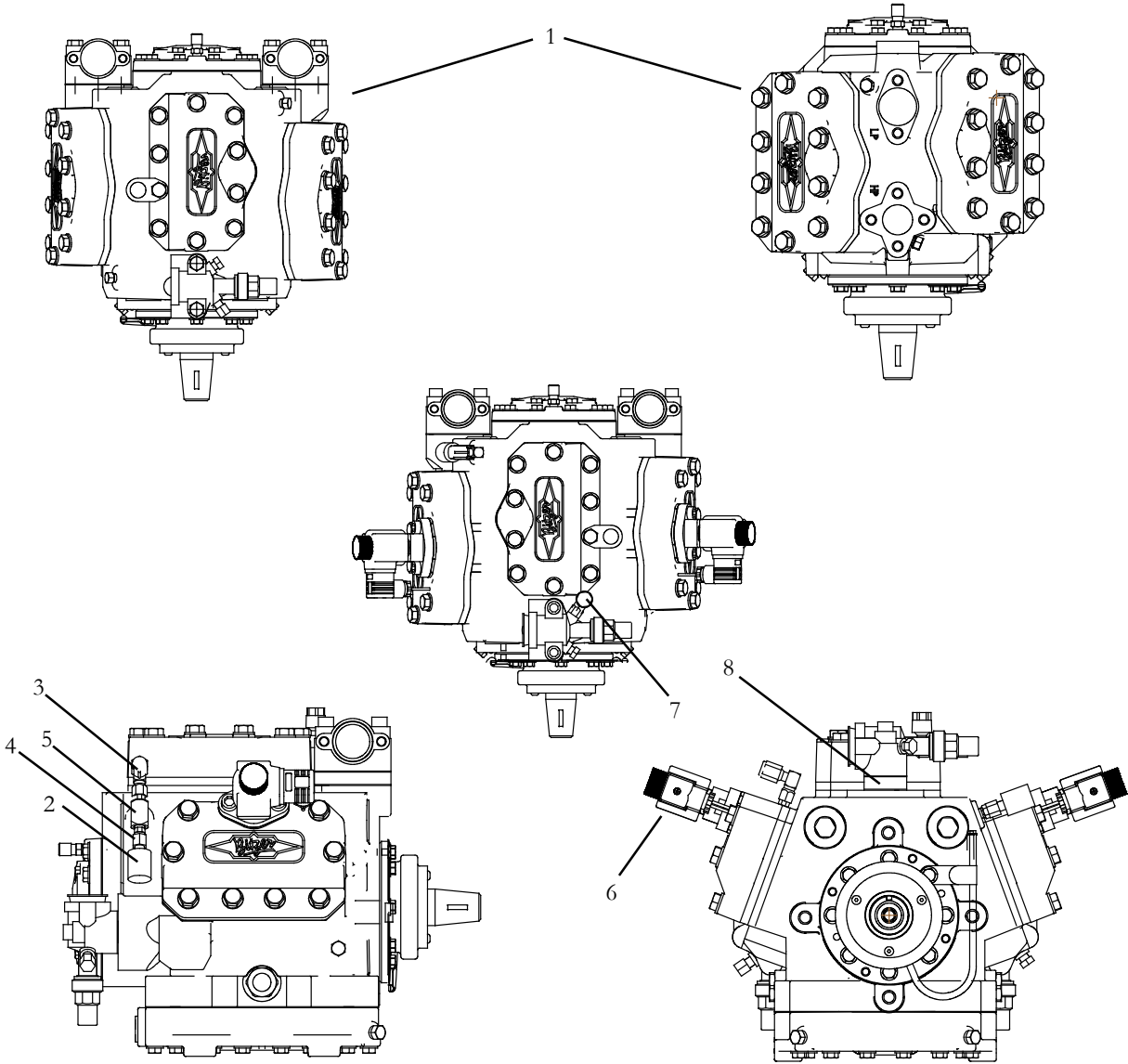
Item	Part Number	Description	Qty
1	50-00226-21	Clutch, 24 VDC, 2 (Deep Groove) B & 2-A Groove, 10.354 O.D.	1

6.2 05G & 05K Clutch Coils, Linnig

Item	Part Number	Description	Qty
1	50-00226-50	Coil, Clutch, 24 VDC	1



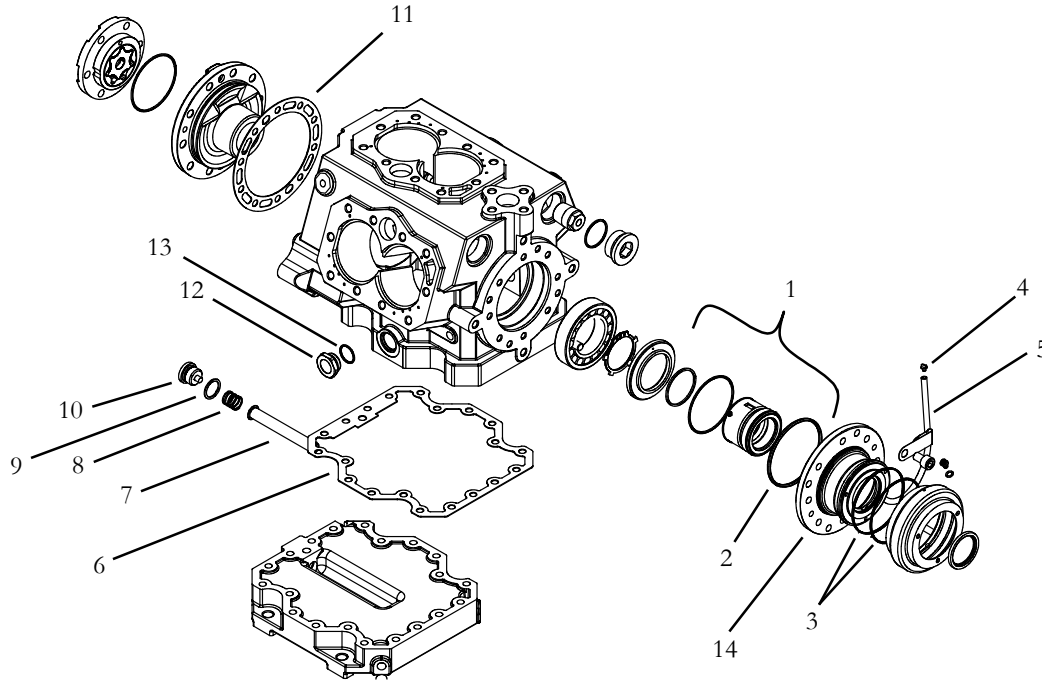
7 Compressor Components - 6NFC & 4NFC Bitzer - Replacement Compressor & Common Assembly Components



Item	Part Number	Description	Qty
1	Y61-NFC02-99	Compressor Assembly, 6NFC Bitzer (Bare)	1
	Y61-NFC01-99	Compressor Assembly, 4NFC Bitzer (Bare)	1
2	12-00299-01	Switch, Low Pressure (Open 3-9psig/ Close 22-28psig)	1
3	40-62116-01	Fitting, Adaptor, 134a LS Port	1
4	40-00249-00	Tee, Male Branch (FPT x FPT x MPT)	1
5	40-00190-00	Fitting, Adaptor, 1/8" Pipe x 1/4" Flare	1
6	Y60-00030-00	Unloader Valve Assembly, 12VDC	1
	Y60-00030-01	Unloader Valve Assembly, 24VDC	1
7	40-62117-01	Fitting, Adaptor, 134a HS Port	1
8	48-62035-00	Spacer, Service Valve	1



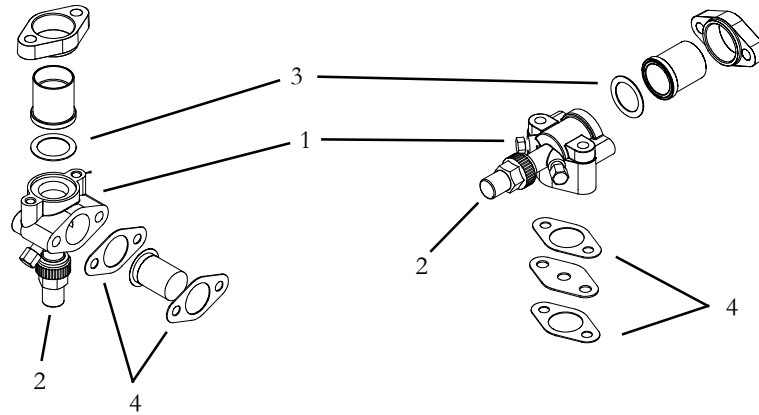
7.1 Compressor Components - 6NFC & 4NFC Bitzer - Base Components



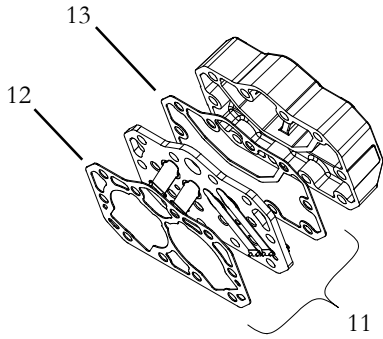
Item	Part Number	Description	Qty
1	Y60-00012-00	Shaft Seal Kit, Includes:	1
2	Y60-00019-00	O-Ring, Clutch Hub	1
3	Y60-00031-00	O-Ring, Oil Collection Container	1
NS	Y60-00013-00	Conversion Kit (Felt Ring to Oil Collection Container)	1
NS	Y60-00020-00	Felt Tape	1
4	Y60-00015-00	Tubing Plug	1
5	Y60-00016-00	Hose, Oil Collector	1
6	Y60-00021-00	Gasket, Bottom Cover	1
7	Y60-00027-00	Oil Filter Screen	1
8	Y60-00025-00	Spring, Oil Pick-up	1
9	Y60-00028-00	Gasket, Oil Pick-up (Aluminum)	1
10	Y60-00026-00	Magnetic Screw	1
11	Y60-00022-00	Gasket, Oil Pump	1
12	Y60-00024-00	Sight Glass, Oil	1/2
13	Y60-00023-00	O-Ring, Oil Sight Glass	1/2
14	Y60-00032-00	Hub, Seal	1



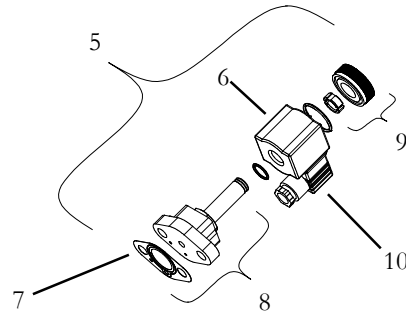
7.2 Compressor Components - 6NFC & 4 NFC Bitzer - Valve Assemblies and Components



Service Valves

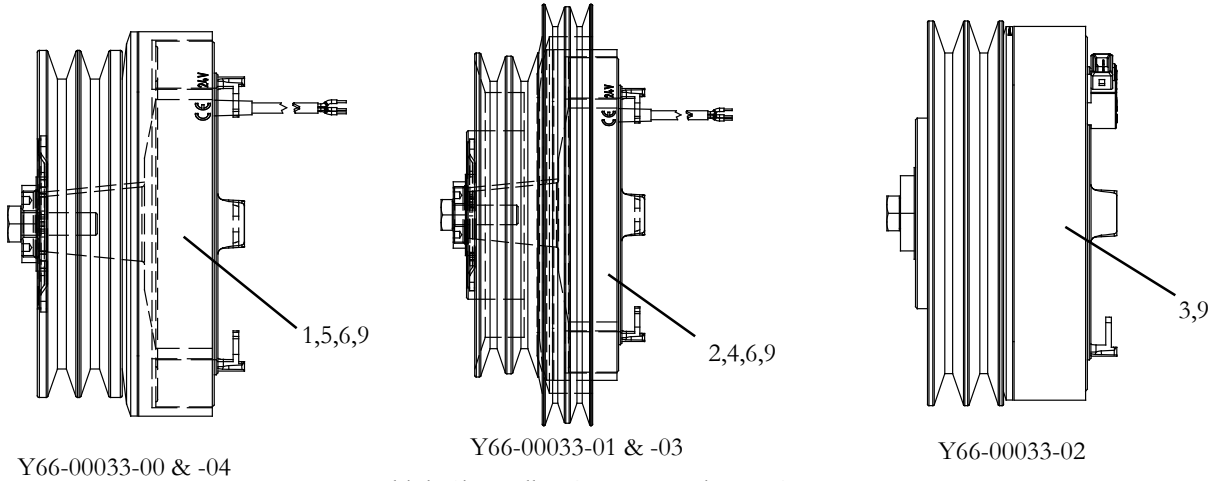


**Gaskets
(Head/Valve Plates)**



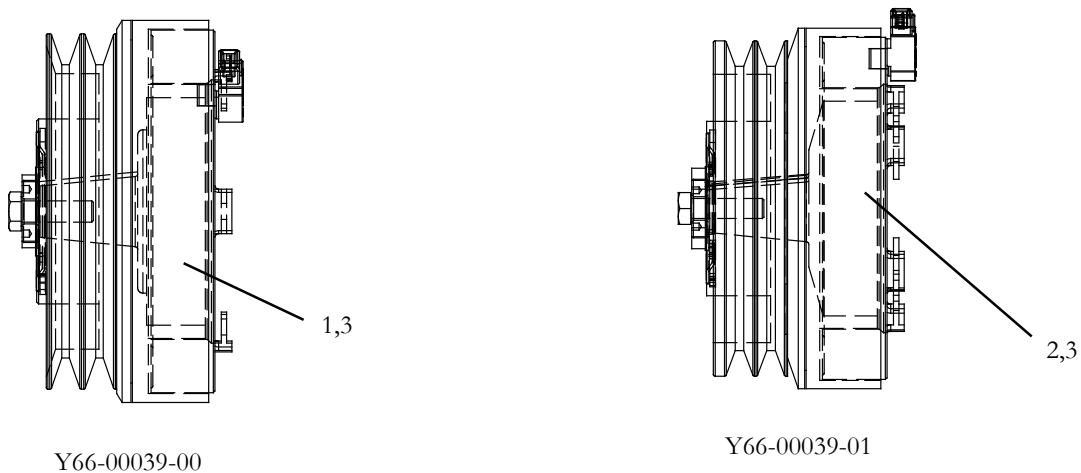
Unloader Valves

Item	Part Number	Description	Qty
1	14-00374-00	Valve, Suction and Discharge, Includes:	1
2	14-00374-99	Cap, Service Valve	1
3	42-62135-00	Gasket, Service Valve (Round)	1
4	42-62134-00	Gasket, Service Valve (2 Bolt)	1
5	Y60-00030-01	Unloader Valve Assembly, 24VDC - Includes:	1
-	NSS	Unloader Valve	1
6	22-62268-04	Coil, Unloader, 24VDC	1
7	42-62136-00	Gasket, Unloader	1
8	14-00370-00	Unloader Stem and Gasket	1
9	Y60-00014-00	Unloader Cap and Thread	1
10	22-62268-02	Connector, Unloader	1
11	P40-304057-04	Valve Plate w/ Gasket, Includes:	1
12	Y60-00017-00	Gasket, Valve Plate	1
13	Y60-00018-00	Gasket, Head	1

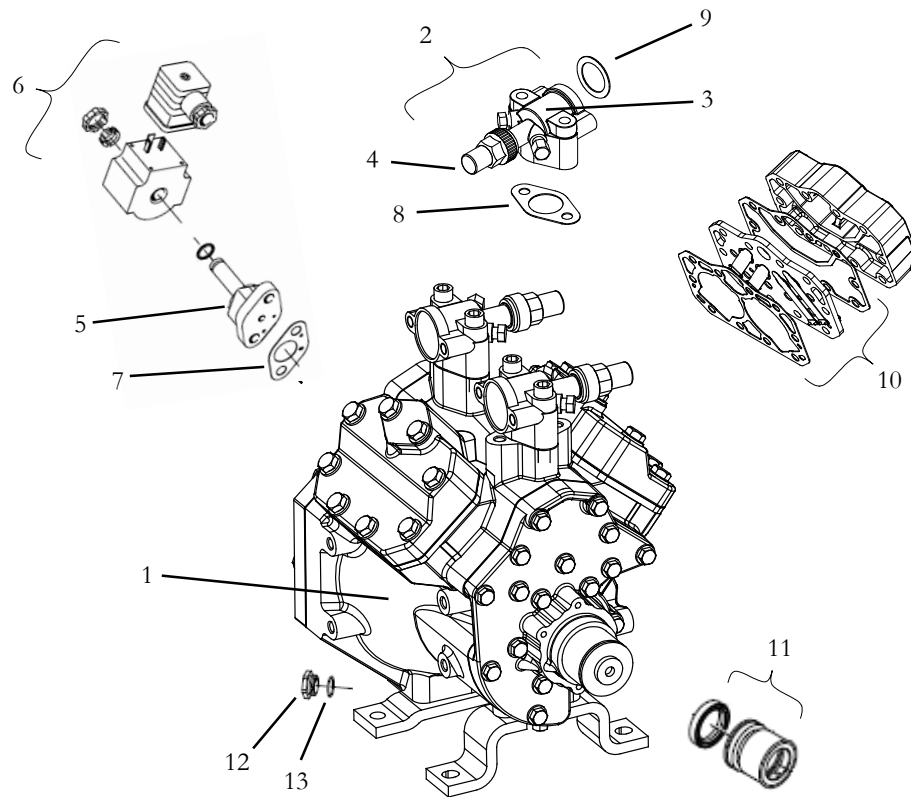
8 Bock FK40 & Bitzer 4NFC Clutches, Lang


Multiple Size Pulley Grooves Designate Grooves
Closest to Compressor First in Description

Item	Part Number	Description	Qty
1	Y60-00033-00	Clutch, 24 VDC, 2-5V Grooves, 7.25 Inch O.D., (Uses -50 Coil)	1
2	Y60-00033-01	Clutch, 24 VDC, 2-A & 2-B Grooves, 7.87 & 10.23 Inch O.D. (Uses -50 Coil)	1
3	Y60-00033-02	Clutch, 24 VDC, 2-B Grooves, 210mm O.D., (Uses -53 Coil)	1
4	Y60-00033-03	Clutch, 24 VDC, 2-A & 2-B Grooves, 7.87 & 10.23 Inch O.D. (Uses -53 Coil)	1
5	Y60-00033-04	Clutch, 24 VDC, 2-5V Grooves, 7.25 Inch O.D., (Uses -53 Coil)	1
6	Y60-00033-50	Coil, Clutch, 24 VDC, SmartCoil w/3 Terminal w/Flying lead	1
7	Y60-00033-51	Coil, Clutch, 12 VDC, SmartCoil w/3 Terminal w/Flying lead	1
8	Y60-00033-52	Coil, Clutch, 24 VDC, SmartCoil w/3 Terminal Connector	1
9	Y60-00033-53	Coil, Clutch, 24 VDC, 2 Terminal with/Connector	1

9 Bock FK50 & Bitzer 6NFC Clutches, Lang


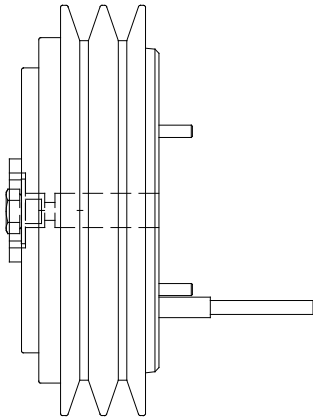
Item	Part Number	Description	Qty
1	Y60-00039-00	Clutch, 24 VDC, 2-SPB Grooves, 7.87 Inch O.D., Lang	1
2	Y60-00039-01	Clutch, 24 VDC, 2-5V Grooves, 7.87 Inch O.D., Lang	1
3	Y60-00039-50	Coil, Clutch, 24 VDC, SmartCoil w/2 Terminal Connector	1
4	Y60-00039-51	Coil, Clutch, 24 VDC, SmartCoil w/2 Wire Lead	1

10 Compressor Components - F400 Bitzer


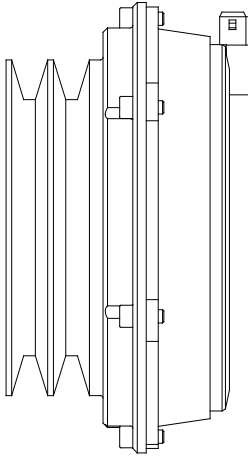
Item	Part Number	Description	Qty
1	Y61-F4001-99	Compressor, Service, F400Y w/Service Valves	1
2	14-00374-00	Valve, Service, Includes:	2
3	14-00374-01	Valve Only	2
4	14-00374-99	Cap Only	2
5	Y60-00030-00	Unloader Kit, 12 VDC Includes:	1
6	22-62268-00	Unloader Coil, 12 VDC, w/ Electrical Connector	1
7	26-1585	Gasket, Unloader	1
8	42-62134-00	Gasket, Valve, Manifold (2 Bolt)	2
9	26-1550	Gasket, Valve, Fitting (Round)	2
10	304057-05	Valve Plate w/ Gaskets	1
11	374032-04	Shaft Seal	1
N.S.	48-62035-00	Spacer, Service Valve	A/R
12	Y60-00024-00	Sight Glass, Oil	1
13	Y60-00023-00	O-Ring, Oil Sight Glass	1



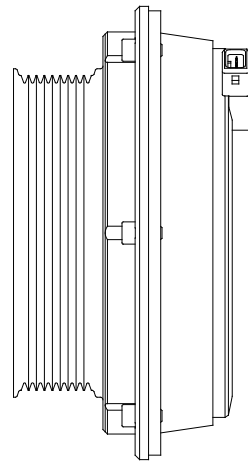
11 Bitzer F400Y, Lang & Linnig Clutches



50-62071-00



50-62071-03

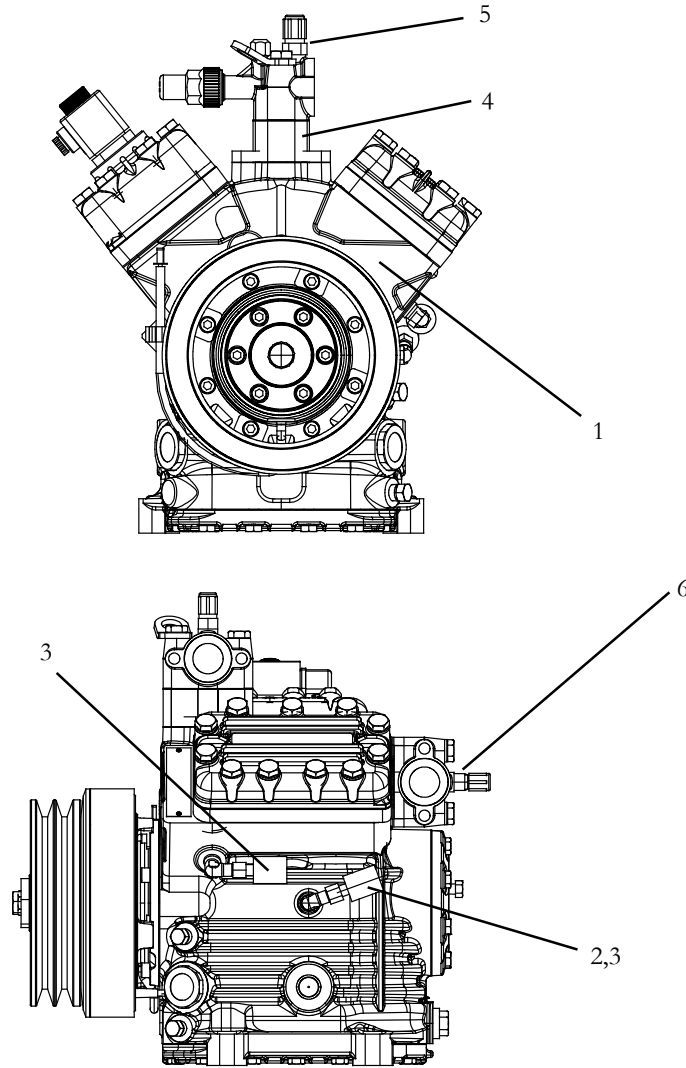


T26-2152

Item	Part Number	Description	Qty
1	50-62071-00	Clutch, 12 VDC, 2-B Grooves, Lang	1
2	50-62071-03	Clutch, 12 VDC, 2-B Grooves, Linnig	1
3	T26-2152	Clutch, 12 VDC, PV- 9 Grooves, Linnig	1
4	50-62071-50	Coil, Clutch, 12 VDC, Lang	1
5	50-62071-51	Coil, Clutch, 12 VDC, Linnig	1



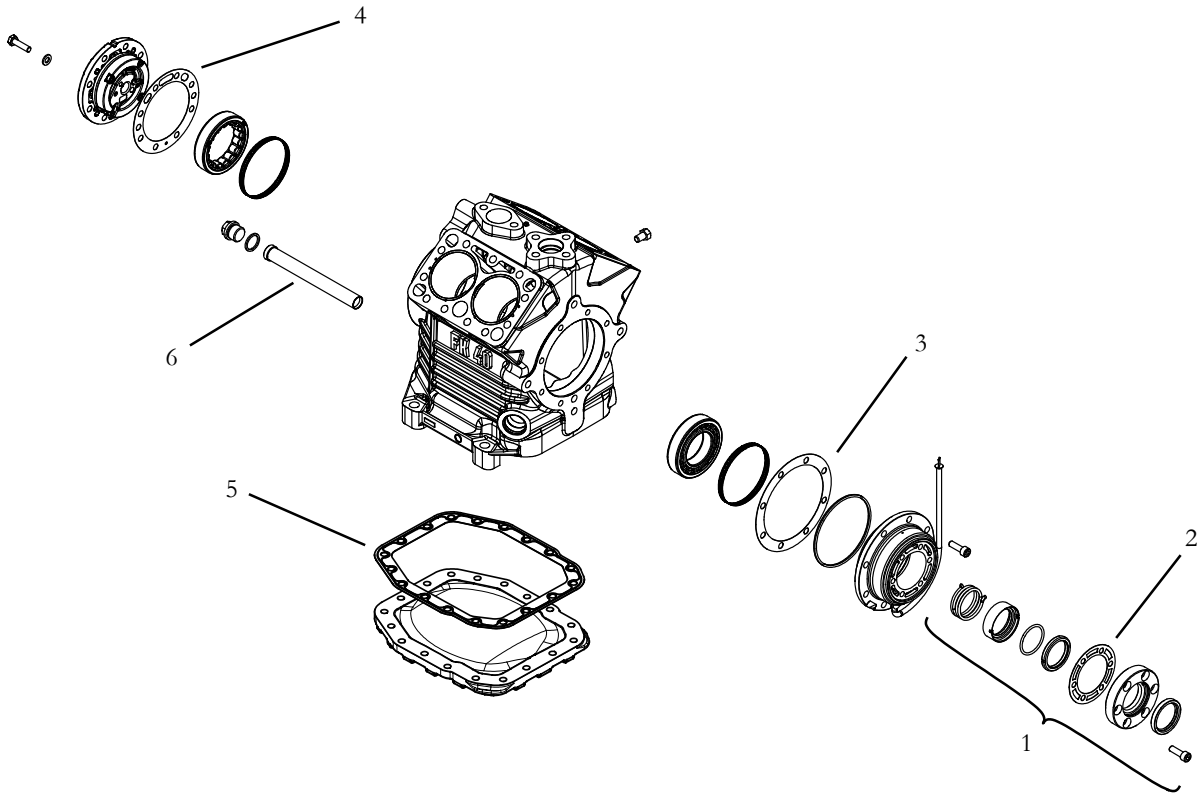
12 Compressor Components, Bock FK40/655K - Replacement Compressor & Common Assembly Components



Item	Part Number	Description	Qty
1	Y61-FK401-98	Compressor Assembly (Bare), FK40/655 Bock	1
2	12-00299-01	Pressure Switch, Low	1
3	40-60155-00	Fitting, 90 Degree, 1/8" - 27 NPTF	2
4	Y60-00034-01	Spacer Kit, Service Valve FK40	1
5	Y27-00083-01	Fitting Assembly, High Side Adaptor, 1/4" Flare x 7/16" SAE	1
6	Y27-00083-00	Fitting Assembly, Low Side Adaptor, 1/4" Flare x 7/16" SAE	1



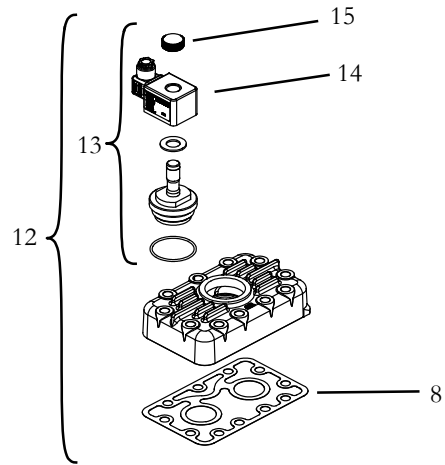
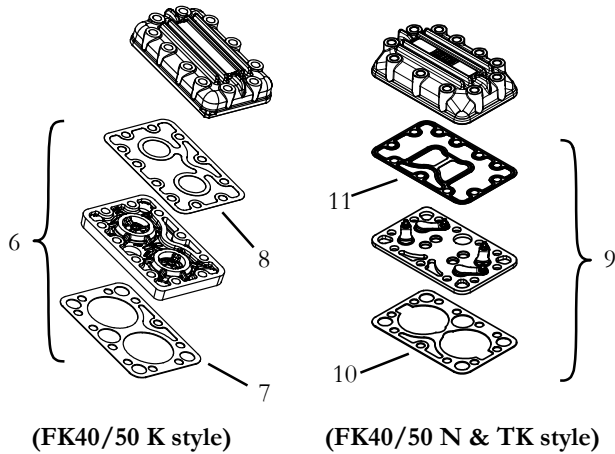
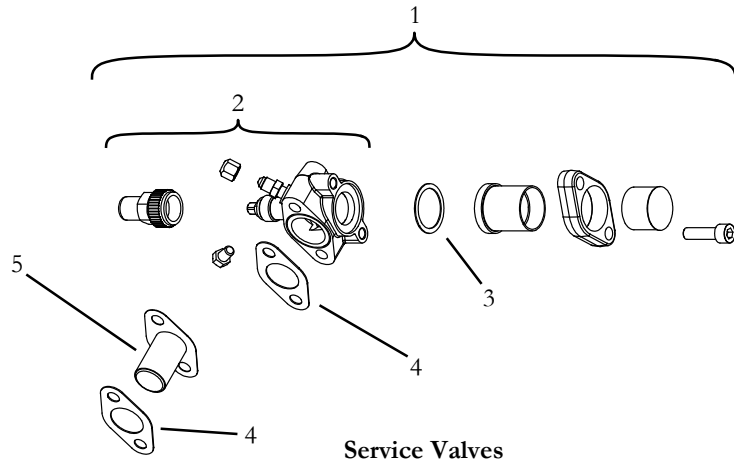
12.1 Compressor Components - Bock FK40/655K - Base Components



Item	Part Number	Description	Qty
1	P40-80023	Kit, Shaft Seal, Includes:	1
2	24-01-75-058	Gasket, Shaft Seal Cover	1
3	24-01-75-038	Gasket, Front Bearing Flange	1
4	24-01-75-031	Gasket, Rear Bearing Flange	1
5	24-01-75-006	Gasket, Base Plate	1
6	P40-80076	Oil Strainer	1



12.2 Compressor Components - Bock FK40/655K - Valve Assemblies and Components

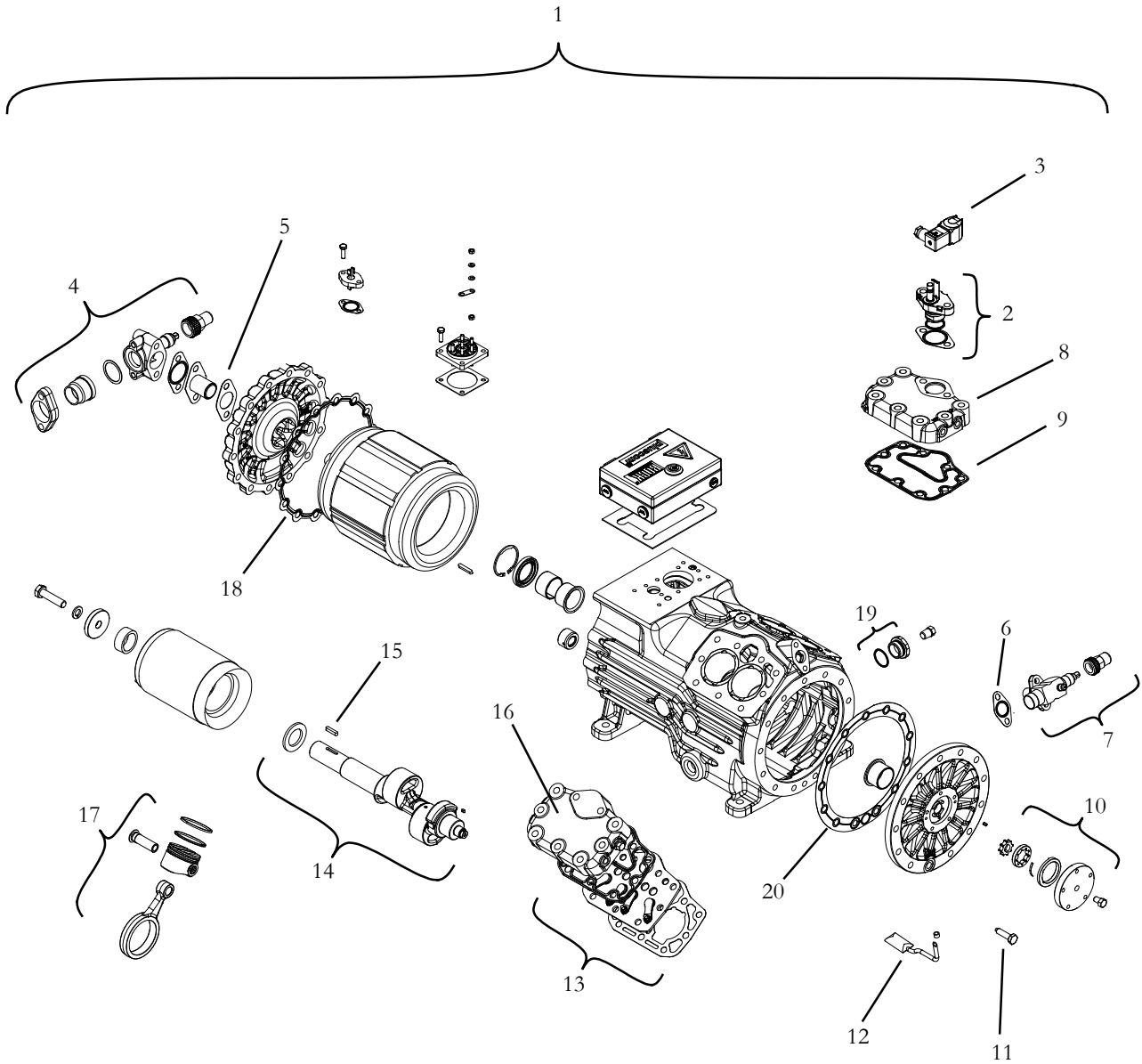


Item	Part Number	Description	Qty
1	P40-08082	Kit, Service Valve, Suction and Discharge, Includes:	1
2	P40-07128	Service Valve, Suction and Discharge	1
3	P40-05067	Gasket, Ring (Round)	1
4	42-62134-01	Gasket, Service Valve (2 Bolt)	1
5	P40-03370	Filter, Suction Side	1
6	P40-80010	Set, Valve Plate (K style), Includes:	1
7	P40-06642	Gasket, Valve Plate (K style)	1
8	P40-06162	Gasket, Head (K style)	1
9	P40-80241	Set, Valve Plate (N & TK style), Includes:	1
10	24-01-75-008	Gasket, Valve Plate (N & TK style)	1
11	24-01-75-010	Gasket, Head (N & TK style)	1
-	NSS	Valve Plate (K style)	1
12	P40-08709	Set, Capacity Regulator Assembly, 24VDC, with Cylinder Cover - Includes:	1
13	P40-08418	Capacity Regulator with Coil, 24VDC	1



12.2 Compressor Components - Bock FK40/655K - Valve Assembly Components - (Continued)			
Item	Part Number	Description	Qty
14	P40-07526	Coil, Capacity Regulator, 24VDC	1
15	P40-05885	Unloader Cap	1

13 Compressor Components, Bock HGX34e/380-4A

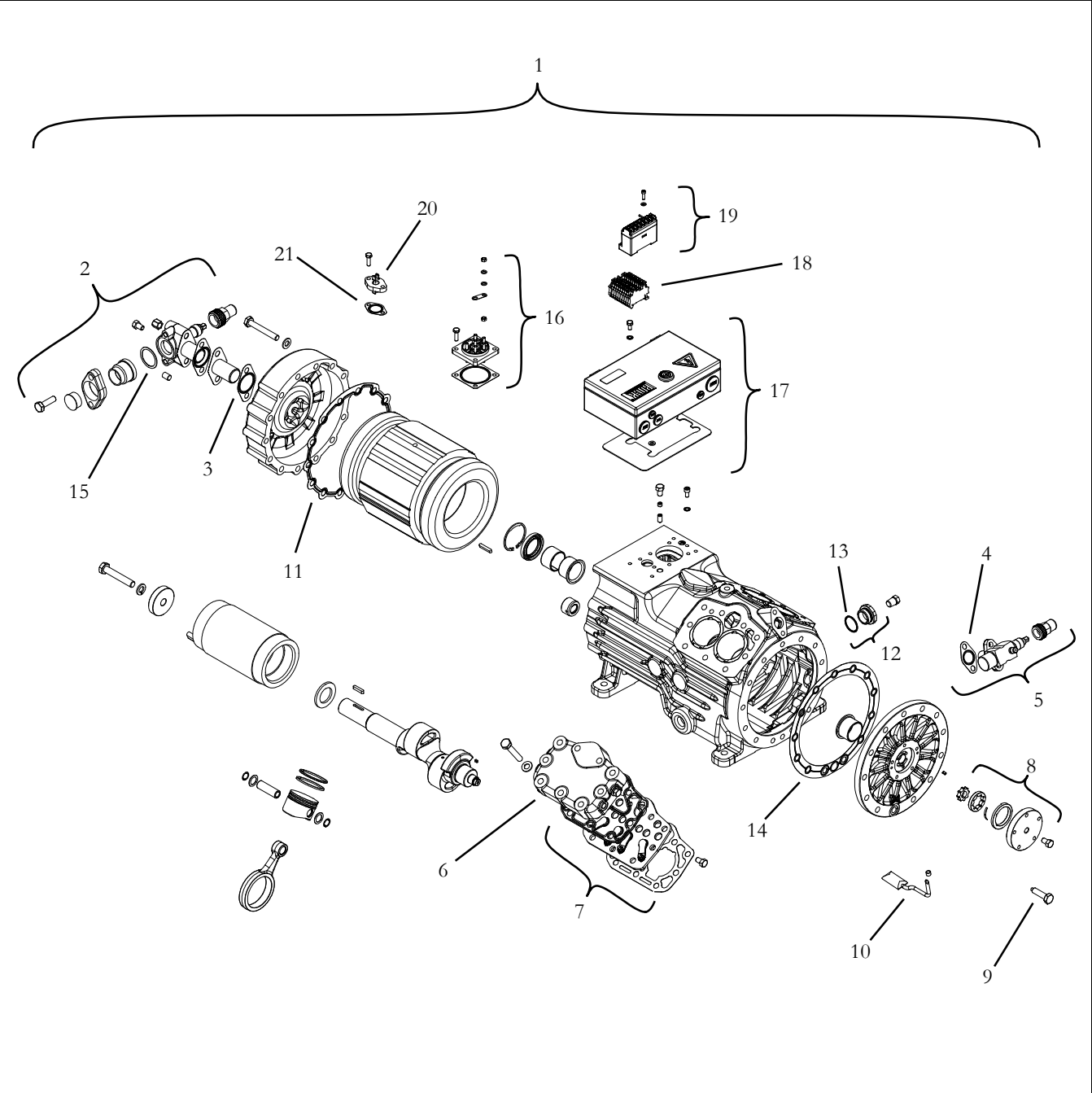


Item	Part Number	Description	Qty
1	T26-2315	Compressor, HGX34e/380-4A	1
2	Y60-00050-00	Valve, Unloader LR10 & Gasket	1
3	Y60-00051-00	Coil 24VDC, Unloader Valve LR10	1
4	Y60-00049-00	Valve, Suction (Suction Screen NOT included)	1
5	Y60-00035-00	Gasket, Suction Valve and Unloader Valve	1
6	Y27-00191-99	Valve Gasket, Discharge	1
7	Y27-00191-00	Valve, Discharge	1
8	Y60-00062-00	Head, Cylinder, w/Unloader	1
9	Y60-00061-00	Gasket, Head, Cylinder, w/Unloader	1



13 Compressor Components, Bock HGX34e/380-4A (Continued)			
Item	Part Number	Description	Qty
10	Y60-00060-00	Oil Pump Kit	1
11	Y60-00065-00	Screw, Magnet	1
12	Y60-00064-00	Strainer Set, Oil	1
13	Y60-00058-00	Valve Plate Set w/Gasket (Non-Unloader)	1
14	Y60-00055-00	Crankshaft Set (W/Key)	1
15	Y60-00066-00	Crankshaft Key, A5x5x25 DIN6885 (Separately)	1
16	Y60-00057-00	Cylinder Head, Non-Unloader	1
17	Y60-00056-00	Piston, Complete w/Rod, Rings and Pin	1
18	Y60-00054-00	Gasket, Stator End	1
19	Y60-00053-00	Oil Sightglass w/Gasket	1
20	Y60-00063-00	Gasket, Oil Pump End	1
N.S.	Y60-00059-00	Gasket Set, Complete	1

14 Compressor Components, Bock HGX34P/380-2AK



Item	Part Number	Description	Qty
1	T26-2423	Compressor, HGX34P/380-2AK	1
2	P40-08082	Valve, Suction (Suction Screen NOT included)	1
3	Y60-00035-00	Gasket, Suction Valve	1
4	Y27-00191-00	Valve, Discharge	1
5	Y27-00191-99	Valve Gasket, Discharge, Includes:	1
6	Y60-00069-00	Head, Cylinder	2
7	Y60-00070-00	Valve Plate Kit w/Gaskets	2
8	Y60-00060-00	Oil Pump Kit	1



14 Compressor Components, Bock HGX34P/380-2AK (Continued)			
Item	Part Number	Description	Qty
9	Y60-00065-00	Screw, Magnet	1
10	Y60-00064-00	Strainer Set, Oil	1
11	Y60-00071-00	Gasket, Stator End	1
12	Y60-00053-00	Oil Sightglass w/O-Ring, Includes:	1
13	Y60-00072-00	O-Ring, Sightglass, Ø 28.3x1.78; X- Version	1
14	Y60-00063-00	Gasket, Oil Pump End	1
15	P40-05067	Gasket, Ring, 42x34x1	1
16	Y60-00073-00	Terminal Board, Set	1
17	Y60-00074-00	Terminal Box, ST,Blue	1
18	Y60-00075-00	Terminal Strip, Set	1
19	Y60-00076-00	INT69 G Motor Prot., Set, 24VAC	1
20	Y60-00077-00	PTC Feed Through	1
21	Y60-00078-00	Gasket, PTC Feed Through	1
N.S.	Y60-00079-00	Gasket Set, Complete	1



Part# Page#

0

04-00130-00 12
 06DA-403---844 16, 17
 07-00242-01 1
 07-00381-00 1
 07-00430-00 1
 0TB0889 16

1

12-00299-01 22, 28
 14-00206-01 10
 14-00370-00 24
 14-00374-00 24, 26
 14-00374-01 26
 14-00374-99 24, 26
 14-01042-07 10
 14-01042-09 17
 14-01042-10 17
 17-10218-00 8, 16
 17-10218-02 8
 17-10806-10 10, 17
 17-10811-05 10, 17, 19
 17-10812-01 10, 17
 17-21003-00 17, 19
 17-31062-00 10
 17-40002-01 10
 17-40005-05 10
 17-40020-00 6
 17-40042-00 6, 16
 17-40055-00 7
 17-40056-02 7
 17-40057-00 4, 5, 7, 15
 17-40078-05 3, 14

Part# Page#

17-40083-00 5, 15
 17-40086-00 5, 15
 17-40104-07 11, 19
 17-40104-08 4, 5, 15
 17-40104-20 11
 17-40111-00 11
 17-40204-00 3, 14
 17-40324-00 7
 17-40408-02 18
 17-40409-00 11
 17-40417-00 11, 18
 17-40418-00 11
 17-44004-06 2
 17-44005-00 10
 17-44007-06 5
 17-44008-00 7
 17-44011-00 6
 17-44015-00 8
 17-44021-00 8, 16, 19
 17-44022-00 3, 14, 19
 17-44024-00Z 19
 17-44035-00 6
 17-44036-00 7
 17-44037-00 3, 6, 8, 14, 16
 17-44041-01 2
 17-44042-00 2
 17-44045-01 7
 17-44045-03 7
 17-44062-00 2
 17-44065-00 2
 17-44074-00 7
 17-44075-00 7
 17-44106-00 5, 15
 17-44107-00 5, 15
 17-44111-00 5, 15



INDEX

Part#	Page#	Part#	Page#
17-44121-01	7	18-00056-100RM	14
17-44122-01	7	18-00059-169RM2	2
17-44123-00	5, 19	18-00063-163	2
17-44124-00	15		
17-44126-00	5, 15, 19	2	
17-44129-00	6	22-02567-00	18
17-44137-00	3, 14	22-50030-00	18
17-44138-00	10	22-62268-00	26
17-44139-00	3, 14	22-62268-02	24
17-44141-00	10	22-62268-04	24
17-44160-00	5, 15	24-01-75-006	29
17-44707-00	19	24-01-75-008	30
17-44712-00Z	19	24-01-75-010	30
17-44713-00Z	14, 19	24-01-75-031	29
17-44722-00	16	24-01-75-038	29
17-44740-00	14	24-01-75-058	29
17-44742-00	4	26-1550	26
17-44746-00	4	26-1585	26
17-44747-00	4		
17-44748-00	4	3	
17-44749-00	4	304057-05	26
17-44750-01	4	34-01186-00	12
17-44751-00	4	34-06026-00	11
17-44765-00	2	34-50022-00	10
17-44767-00	2	34-50082-00	10, 17
17-44775-00	8	374032-04	26
17-55002-00	15, 19		
17-55008-00	7	4	
17-55009-01	3, 7, 14	40-00060-08	17
17-55012-00	4, 5, 15	40-00190-00	22
17-55018-01	11	40-00249-00	22
17-55023-00	7	40-00520-00	17
17-55025-00	7	40-00520-01	17
17-57026-00	2	40-00520-02	17



INDEX

Part#	Page#	Part#	Page#
40-00520-03	17		
40-00524-00	17		
40-00524-01	17		
40-60155-00	28		
40-62116-01	22		
40-62117-01	22		
42-00243-03	11		
42-00243-07	3, 6, 8, 14, 16		
42-62134-00	24, 26		
42-62134-01	30		
42-62135-00	24		
42-62136-00	24		
46-50008-00	1		
46-50008-01	1		
48-62035-00	22, 26		
5			
50-00226-09	13		
50-00226-12	13		
50-00226-17	13		
50-00226-18	13		
50-00226-19	13		
50-00226-21	21		
50-00226-50	21		
50-62071-00	27		
50-62071-03	27		
50-62071-50	27		
50-62071-51	27		
6			
68G2-9072	7		
		7	
		74-50111-00	11
		74-50111-01	11
		P	
		P40-03370	30
		P40-05067	30, 35
		P40-05885	31
		P40-06162	30
		P40-06642	30
		P40-07128	30
		P40-07526	31
		P40-08082	30, 34
		P40-08418	30
		P40-08709	30
		P40-304057-04	24
		P40-80010	30
		P40-80023	29
		P40-80076	29
		P40-80241	30
		T	
		T26-2152	27
		T26-2315	32
		T26-2423	34
		Y	
		Y03-00002-00	1
		Y27-00083-00	28
		Y27-00083-01	28
		Y27-00191-00	32, 34
		Y27-00191-99	32, 34
		Y29-00136-00	2



INDEX

Part#	Page#	Part#	Page#
Y60-00012-00	23	Y60-00039-50	25
Y60-00013-00	23	Y60-00039-51	25
Y60-00014-00	24	Y60-00040-00	14
Y60-00015-00	23	Y60-00043-00	14
Y60-00016-00	23	Y60-00045-01	12
Y60-00017-00	24	Y60-00045-02	12
Y60-00018-00	24	Y60-00045-03	12
Y60-00019-00	23	Y60-00045-04	12
Y60-00020-00	23	Y60-00045-05	12
Y60-00021-00	23	Y60-00045-06	12
Y60-00022-00	23	Y60-00045-07	20
Y60-00023-00	23, 26	Y60-00045-08	12
Y60-00024-00	23, 26	Y60-00045-09	20
Y60-00025-00	23	Y60-00045-10	12
Y60-00026-00	23	Y60-00045-11	12
Y60-00027-00	23	Y60-00045-12	12
Y60-00028-00	23	Y60-00045-13	12
Y60-00030-00	22, 26	Y60-00045-14	20
Y60-00030-01	22, 24	Y60-00045-16	12
Y60-00031-00	23	Y60-00045-17	20
Y60-00032-00	23	Y60-00045-19	12
Y60-00033-00	25	Y60-00045-20	12
Y60-00033-01	25	Y60-00045-21	20
Y60-00033-02	25	Y60-00045-23	20
Y60-00033-03	25	Y60-00045-24	12
Y60-00033-04	25	Y60-00045-25	12
Y60-00033-50	25	Y60-00045-26	20
Y60-00033-51	25	Y60-00045-27	20
Y60-00033-52	25	Y60-00045-28	20
Y60-00033-53	25	Y60-00045-29	12
Y60-00034-01	28	Y60-00045-31	12
Y60-00035-00	32, 34	Y60-00045-32	12
Y60-00039-00	25	Y60-00045-90	12, 20
Y60-00039-01	25	Y60-00045-91	12, 20
		Y60-00049-00	32



INDEX

Part#	Page#	Part#	Page#
Y60-00050-00	32	Y60-00070-00	34
Y60-00051-00	32	Y60-00071-00	35
Y60-00053-00	33, 35	Y60-00072-00	35
Y60-00054-00	33	Y60-00073-00	35
Y60-00055-00	33	Y60-00074-00	35
Y60-00056-00	33	Y60-00075-00	35
Y60-00057-00	33	Y60-00076-00	35
Y60-00058-00	33	Y60-00077-00	35
Y60-00059-00	33	Y60-00078-00	35
Y60-00060-00	33, 34	Y60-00079-00	35
Y60-00061-00	32	Y61-05G02-98RM	2
Y60-00062-00	32	Y61-05G02-98RMO	2
Y60-00063-00	33, 35	Y61-F4001-99	26
Y60-00064-00	33, 35	Y61-FK401-98	28
Y60-00065-00	33, 35	Y61-NFC01-99	22
Y60-00066-00	33	Y61-NFC02-99	22
Y60-00069-00	34		

Every driver deserves the best possible vehicle climate with BCC products

BCC provides exceptional performance in mobile climate comfort.



www.bcc-hvac.com

Member of MTS Group • Certified ISO 9001 and ISO 1 4001.
Specifications subject to change without notice. BCC is a registered trademark.